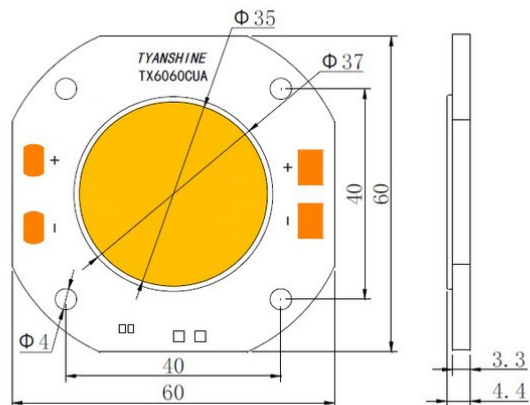


---

## LED COB 250W 3000K LED PFE-250 3000K Profile Spot (TX-6060W250D180CUY)

Réf. : E6510308  
GTIN: 4026397654943



**Prix de catalogue: 412.34 €**  
TVA 19% incl.

---

## LED COB 250W 3000K LED PFE-250 3000K Profile Spot (TX-6060W250D180CUY)

Réf. : E6510308  
GTIN: 4026397654943

### Caractéristiques:

---