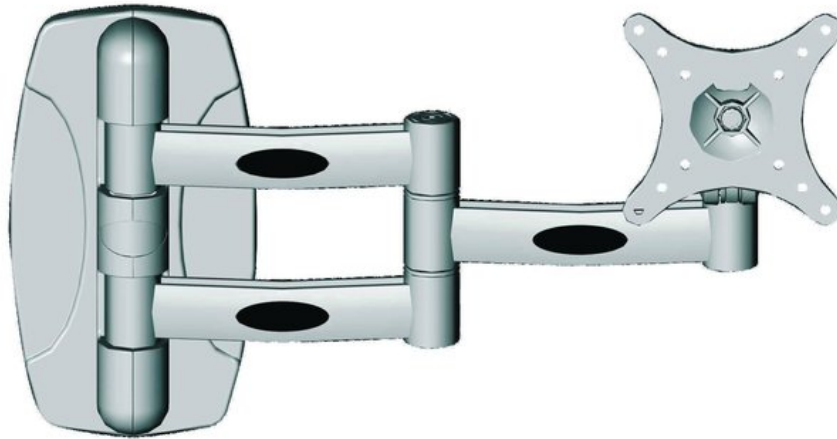


## EUROLITE Wall mount LCHS-32 f.10"-32" LCD monitors

Universal wall mount for LCD/plasma monitors

Réf. : 81012445

GTIN: 4026397295542



**L'article n'est plus disponible.**

### Caractéristiques:

- Universal LCD mount for screen sizes between 10-32"
- Universal use for all screens according to VESA standard
- Installation holes according to VESA standard: 50/75/100 mm
- Including adapter plate for VESA standard 200
- Easy wall mounting
- Swivel angle and inclination angle steplessly adjustable
- Including mounting hardware
- Including distance pieces for screens with convex backs
- Covered cable routing inside the plastic covers possible
- UL-certified

### Logistique

EAN / GTIN: 4026397295542

Poids: 2,95 kg

Longueur: 0.37 m

Largeur: 0.23 m

Hauteur: 0.07 m

### Données techniques:

Dimension:	Largeur : 29,2 cm Profondeur : 41 cm Hauteur : 10 cm
Carrying capacity:	25 kg
Interface dimensios:	100 x 100 mm
Distance to wall:	140-410 mm
Dimensions:	410 x 292 x 110 mm
Weight:	2.5 kg