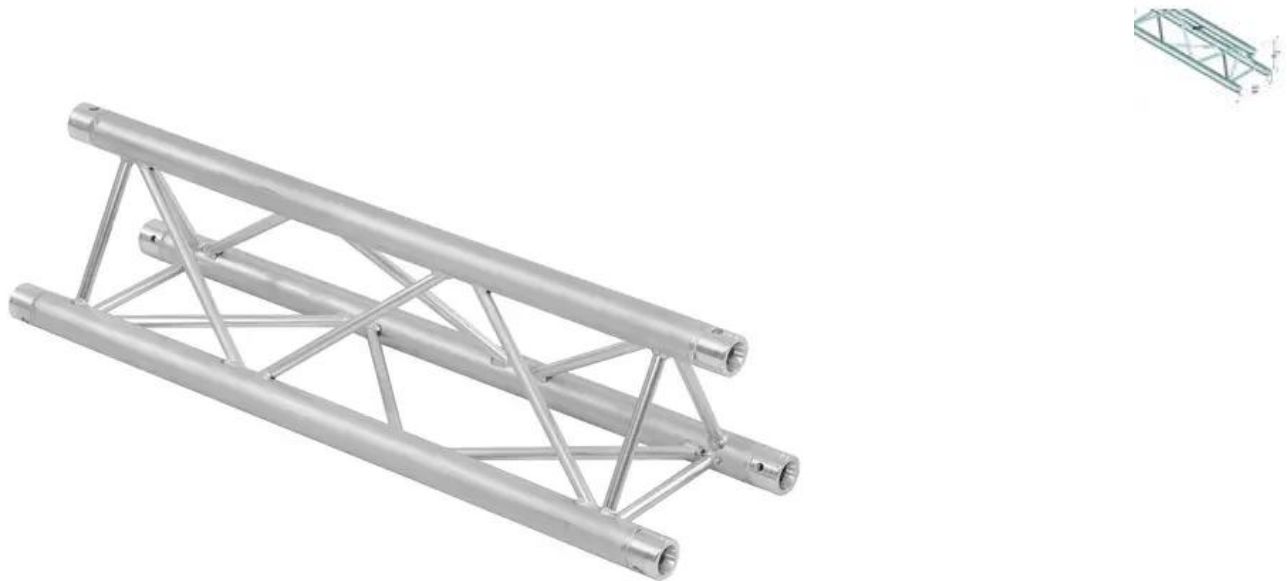


ALUTRUSS Traverse 3 voies 6082-2000 TRILOCK

Système de traverses 3 points

Réf. : 60302360

GTIN: 4026397323849



Description:

TRILOCK 6082 3-point truss system

TRILOCK 6082 is a 3-point truss system made of aluminum. The individual elements are connected via three cones, pivots and pins. TRILOCK 6082 is made of EN-AW 6082 T6 (AlMgSi1 T6) alloy for even higher loads. The advantage of the conical connection system is that the cones completely fit into the main chords so that highest load capacity is guaranteed. The Quick-Lock system enables fast, efficient and highly aesthetic assembly when the truss constructions are frequently assembled and dismantled.

The three main chords are made of 50 mm aluminum tube with 2 mm wall thickness and offer a good relation between strength and weight. The braces have a diameter of 16 mm with 2 mm wall thickness and leave enough space for installing couplers, hooks and clamps. With 290 and 257 mm outer dimensions, TRILOCK QTTR is a stable truss system for higher loads and extended durability.

This system is mainly designed for intense use in stage installations, fair installations, event installations but also for permanent installations in discotheques and theatres. Its polished surface makes this universal system a real eyecatcher. Due to its wide range of standard system lengths, corners, circles and accessory, this system is highly versatile and offers unlimited design possibilities. The production of this truss system is TUV-monitored. The load table as calculation base can be downloaded from the Internet before buying the product!

Caractéristiques:

- Poids réduit
- Montage facile
- Tube porteur: 50 mm
- Certifié TÜV Süd

Logistique

EAN / GTIN: 4026397323849

Poids: 9,50 kg

Longueur: 2.01 m

Largeur: 0.33 m

Hauteur: 0.34 m

Article encombrant

- Pour des domaines d'application tels que: Théâtre; Agencement de salons et magasin; clubs/écoles de danse
- Vous trouverez de plus amples informations sur ce produit dans la rubrique « Téléchargements » de la fiche technique

Données techniques:

Construction:	Montage facile
Tube porteur:	50 mm x 2 mm
Procédé de soudure:	Impulsion WIG
Matière de soudure:	AlMg 5
Couleur:	Couleurs alu
Entretoise diamètre x épaisseur:	16 x 2 mm
Dimension:	Longueur : 200 cm Largeur : 29 cm Hauteur : 25,70 cm
Poids:	8,20 kg

Contenu de la livraison:

1 x set de connecteurs