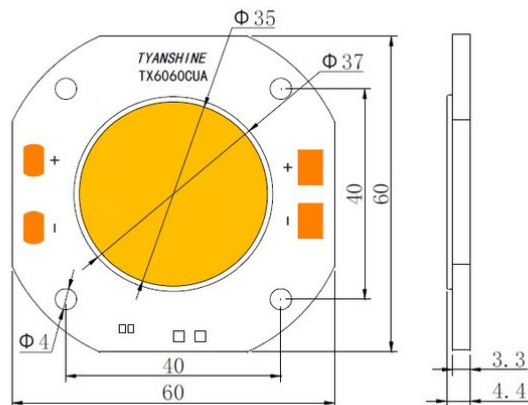

LED COB 250W 3000K LED PFE-250 3000K Profile Spot (TX-6060W250D180CUY)

Art. No.: E6510308
GTIN: 4026397654943



List price: 412.34 €
incl. 19% VAT.

LED COB 250W 3000K LED PFE-250 3000K Profile Spot (TX-6060W250D180CUY)

Art. No.: E6510308
GTIN: 4026397654943

Features:
