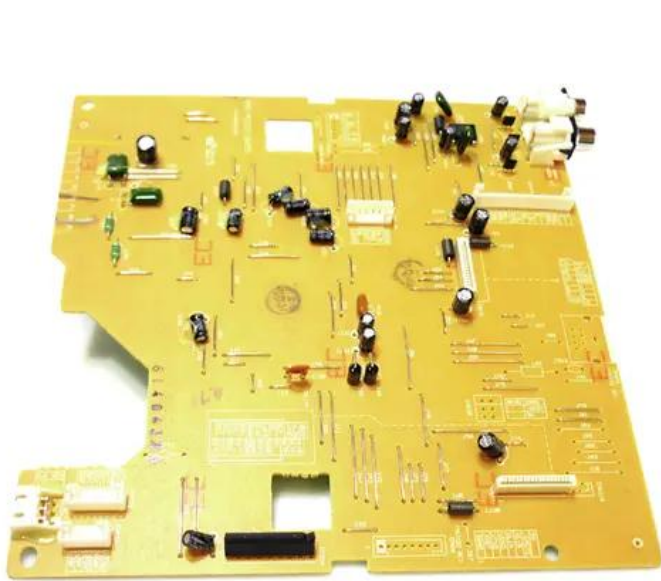

Pcb (Servor) CMP-2000 (405-MCU10-2659) CD2

Art. No.: E6507386

GTIN: 4026397526783



Features:

Technical specifications:

Scope of delivery:

Logistic

EAN / GTIN: 4026397526783

Weight: 0,09 kg

Length: 0.17 m

Width: 0.17 m

Height: 0.02 m