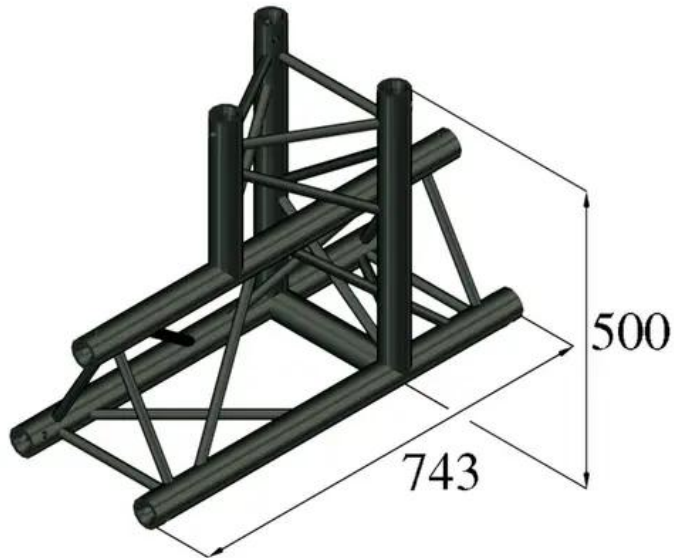


ALUTRUSS TRILOCK S-PAT-37 3-way T-Piece

3-point truss system

Art. No.: 6030253U

GTIN: 4026397501247



Features:

- Low weight
- Easy installation
- Trusspipe: 50 mm
- Made in Europe
- For application areas such as: Theater; Trade fair and shop fitting; clubs/dancing school

Logistic

EAN / GTIN: 4026397501247
Weight: 6,90 kg
Length: 0.75 m
Width: 0.29 m
Height: 0.52 m

Technical specifications:

Setup:	Easy installation
Trusspipe:	50 mm x 2 mm
Color:	Black
Strut diameter x thickness:	16 x 2mm
Dimensions:	Length: 74.30 cm Width: 50 cm Height: 29 cm
Weight:	6.80 kg

Scope of delivery: