

# alutruss

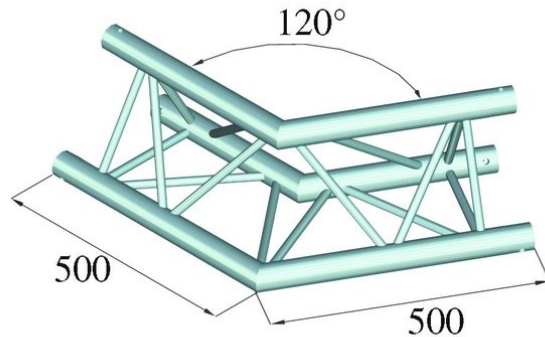
---

## TRILOCK QPAC-22 2-way corner 120°

3-point truss system

**Art. No.:** 60301867

GTIN: 4026397120158



**The article is no longer in our assortment.**

# alutruss

---

## TRILOCK QPAC-22 2-way corner 120°

3-point truss system

**Art. No.:** 60301867

GTIN: 4026397120158

### Features:

---

- High-quality aluminum-tubes with 50 mm in diameter
- Easy installation
- Low weight
- For exhibition and shop installers, discotheque and theatre installations