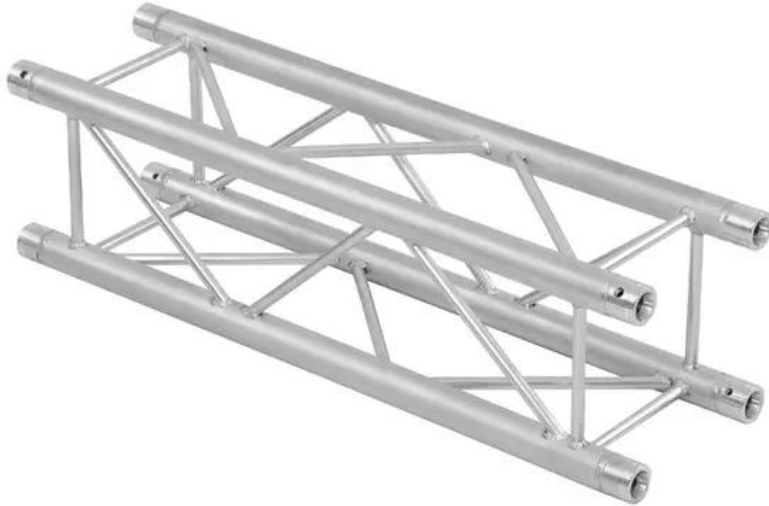


## ALUTRUSS Completion set QUADLOCK 6082 500mm

4-point truss system

Art. No.: 09003505

GTIN:



### Features:

- Strong EN-AW 6082 alloy for high loads
- High-quality aluminum-tubes with 50 mm in diameter
- Low weight
- Distance center - center: 240 mm
- Easy installation
- Trusspipe: 50 mm
- TÜV Süd certified
- For application areas such as: Theater; Trade fair and shop fitting; clubs/dancing school
- For further information about this product, please refer to the Data Sheet under "Downloads"

### Logistic

### Technical specifications:

Weight: 17.80 kg

#### ALUTRUSS QUADLOCK 6082-500 4-way Cross Beam

Setup: Easy installation

Trusspipe: 50 mm x 2 mm

Welding technique: TIG-welding

Welding material:	AlMg 5
Alloy:	AlMgSi1 T6
Color:	Alu colored
Strut diameter x thickness:	16 x 2mm
Dimensions:	Length: 50 cm Width: 29 cm Height: 29 cm
Weight:	4.45 kg

---

**Scope of delivery:**

---

1 x connection set