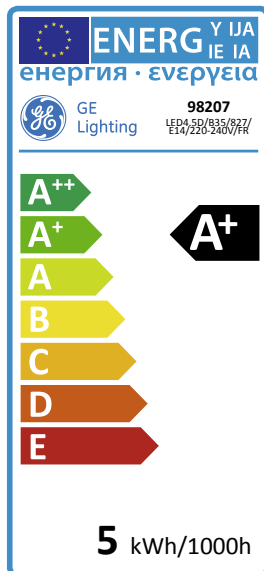




GE
Lighting



5
kWh/1000h

A+
energy class

60
lumens/watt

GE Energy Smart™ Candle Dimmable

LED4.5D/B35/827/E14/220-240V/FR

98207

Product information

GE's new sparkling clear and soft white finished candle range of LED Decorative lamps offers superb performance with high quality aesthetics and great reliability. Features such as standard IEC dimensions, 20,000 hours rated life and wide dimming compatibility combine to make this a highly desirable product range for 25W and 40W Halogen lamps with only 4.5W and 6W.

Application areas

- Retail
- Office
- Hospitality
- Home

Product data

Cap/Base	E14
Bulb Shape	Candle
Bulb Finish	Coated
Bulb Diameter [mm]	35
Bulb maximum overall diameter [mm]	36
Maximum Overall Length [mm]	104
Net weight per piece [g]	60
Gross weight per piece [g]	89
Regulatory comment	EUP related
Brand	General Electric (GE)

Performance data

Colour Rendering Index (CRI) [Ra]	80
Nominal correlated colour temperature (CCT) [K]	2700
Colour consistency	6 steps
Nominal lumens [lm]	270
Nominal useful lumens [lm]	270
Energy efficiency class (EEC)	A+
Rated life L70/B50 [h]	20000
Weighted energy consumption [kWh/1000h]	4.5

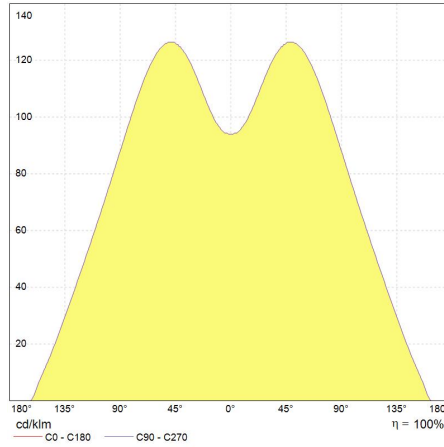
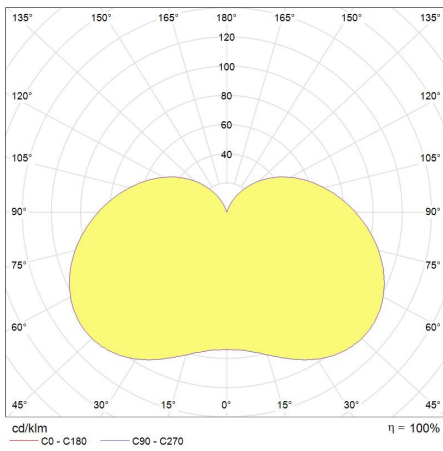
Electrical data

Nominal power [W]	4.5
Rated power [W]	4.5
Nominal lamp power factor	0.6
Nominal lamp voltage [V]	230
Run-up time (sec)	1
Starting time (sec)	<0.5
Number of switching cycles	10000
Dimming Capability	Yes

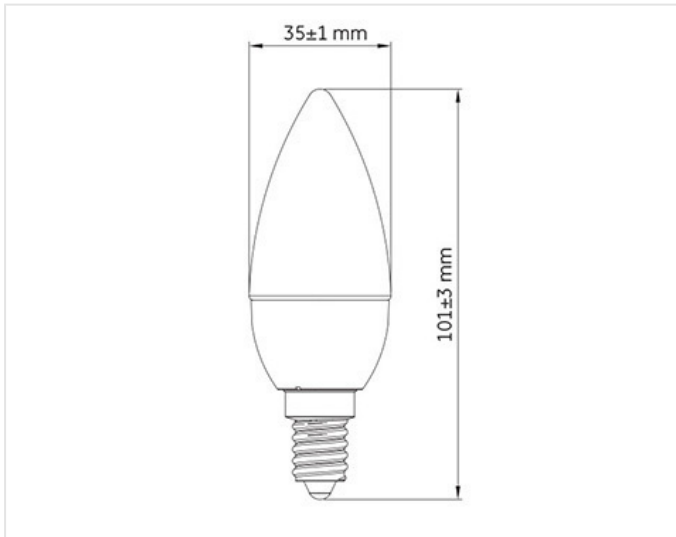
Logistic data

DUN Code	10043168982075
EAN Code	0043168982078
Pack Quantity	10
Inner pack type	BOX
Outer pack type	OUTER BOX
Layer quantity	280 EUR, 340 UK
Layer quantity EUR	280
Layer quantity UK	340
Pallet quantity EUR (PC)	1960
Pallet quantity UK (PC)	2380
Outer case size	263 x 110 x 133 (mm)
Product status	Phased-out

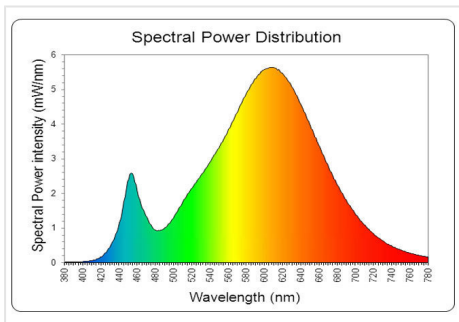
Photometric Data



Technical drawing



Spectral distribution



Downloads & Links

[Go to the catalog site \(HTTP\)](#)

[Photometry \(IES\)](#)

[Dimming compatibility \(HTTP\)](#)

[LED Lighting Solutions - Catalogue \(EN\) \(PDF\)](#)

[LED Decor 4.5W Dimmable Datasheet \(PDF\)](#)

[Lighting design tools & calculators \(HTTP\)](#)

[Candle range Datasheets \(HTTP\)](#)

[High-res images / Technical drawings \(HTTP\)](#)

[Certificate for the Quality Management System of GE Lighting EMEA \(PDF\)](#)

[Certificate for the Environmental Management System of GE Lighting EMEA \(PDF\)](#)