

# Technical Information

No. FO 5292

Edition: 02/06 - subject to change

Substitutes: initial release

Status: valid

# Short Arc Metal Halide Lamp

## Baby SharXS® HTI® 300W/D5/65

### ■ Product description

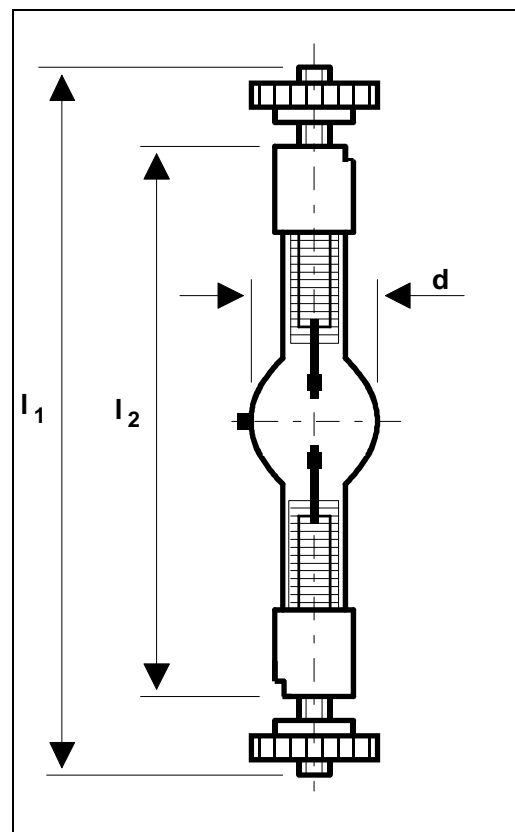
The OSRAM Baby SharXS® HTI® 300W/D5/65 is a very compact double-ended ('D') metal halide lamp of the new Baby SharXS® family. By the extra short arc of 5 mm ('5'), this lamp has a very high luminance and provides a high output for intelligent entertainment lighting. The "eXtreme Seal" technology enables higher pinch temperatures up to max. 450°C. Being doubled-ended (with pre-focus base) the lamp is suitable for hot restart. The lamp length of 93 mm (max.) only allows the design of fixtures in very compact size. With 3,000 hours the lamp supplies a long average service life.



Baby SharXS

### ■ Technical data

Lamp / order reference	Baby SharXS® HTI® 300W/D5/65	
Rated wattage	W	300
Rated voltage	V	100
Lamp current (~)	A	4,3
Ignition voltage (cold / hot)	kV	4,5 / 20 (max. 25)
Luminous flux	lm	22.000
Colour temperature	K	6.500
Color rendering index	Ra	> 85
Light arc length (cold)	mm	5,5
LCL a	mm	35 ± 1
Lamp length $l_1$ (over all)	mm	max. 93
Lamp length $l_2$	mm	70 ± 1
Bulb diameter d	mm	16 (without pumping tip)
Average service life	h	750
Base	SFc 11-4 with notch	



### ■ Lamp operation

Maximum permissible base temperature	°C	450 / with eXtreme Seal Technology (measured on Moly-foil/pinch)
Cooling	Fan / forced cooling	
Burning position	any	

The Baby SharXS® HTI® 300W/D5/65 is designed for an operation on conventional ballasts. Operation on electronic power supplies is possible.

### ■ Manufacturers of igniters and control gear (not officially approved by OSRAM)

Of all ballasts mentioned below two fixtures in a parallel circuit have to be used.

Igniters:	Schiederwerk HZG 8-25 RV K-1; ABB / Bag Turgi MZN 400 S; ERC 640006; Tridonic 6 ES/B
ECG:	Schiederwerk EVG 330 K/PFC
Ballasts:	ERC 686816, ERC 68817, ERC 686818 Magnetek QI 150-24.4K 638 TSW; Magnetek NQI 150-24.3-24 Tridonic ECIS 1/2C140 TP; Tridonic OMBIS 101, 103

*list to be completed/updated.*

Display/Optic

