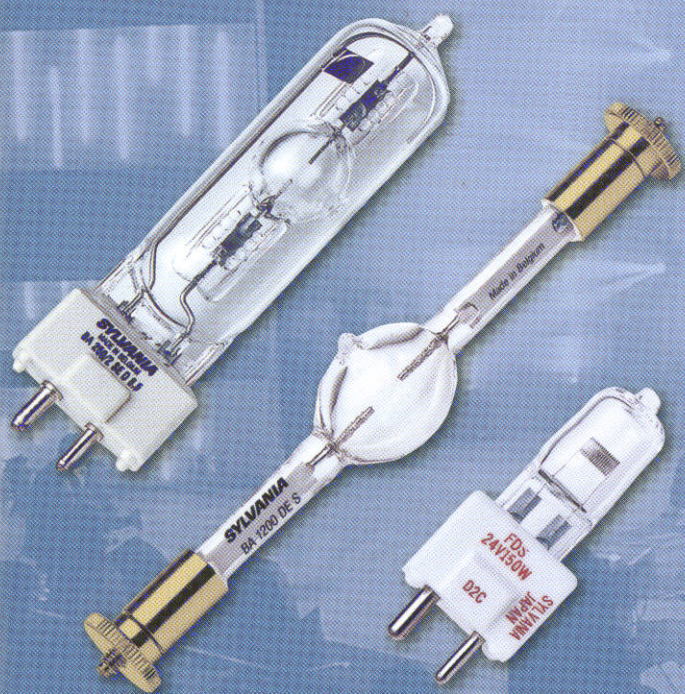


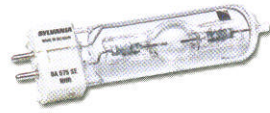
Photo Optic

Catalogue 2009/10



BRITEARC Single Ended Non Hot Restrike

BriteArc Single Ended Non Hot Restrike lamps are compact light sources with excellent performance, specially designed for a wide variety of audio-visual applications. The BriteArc lamps are filled with mercury and rare earth elements to obtain a high efficacy and a stable colour with a very good rendering index. They can be re-struck after 10 minutes. These lamps can be operated in any position.



BA 575 SE NHR



BA 1200 SE NHR

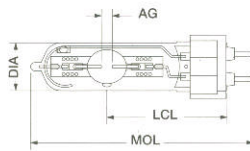


Fig. 1

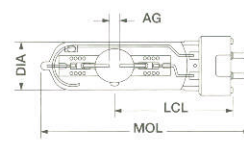


Fig. 2

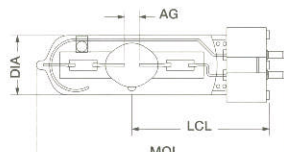


Fig. 3

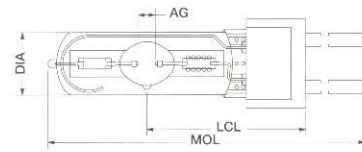


Fig. 4

FEATURES

- High luminous efficacy
- Low infrared
- Colour stability
- Excellent lumen maintenance
- Physical ruggedness

APPLICATIONS

- Show lighting
- Theatre
- Discotheque lighting
- Follow spots
- Effect lighting
- Architectural

DIRECTIONS FOR USE

- Burning position: universal
- Restrike after 10 minutes
- Only use in closed fixtures
- Can be operated on an electronic power supply or on a magnetic ballast

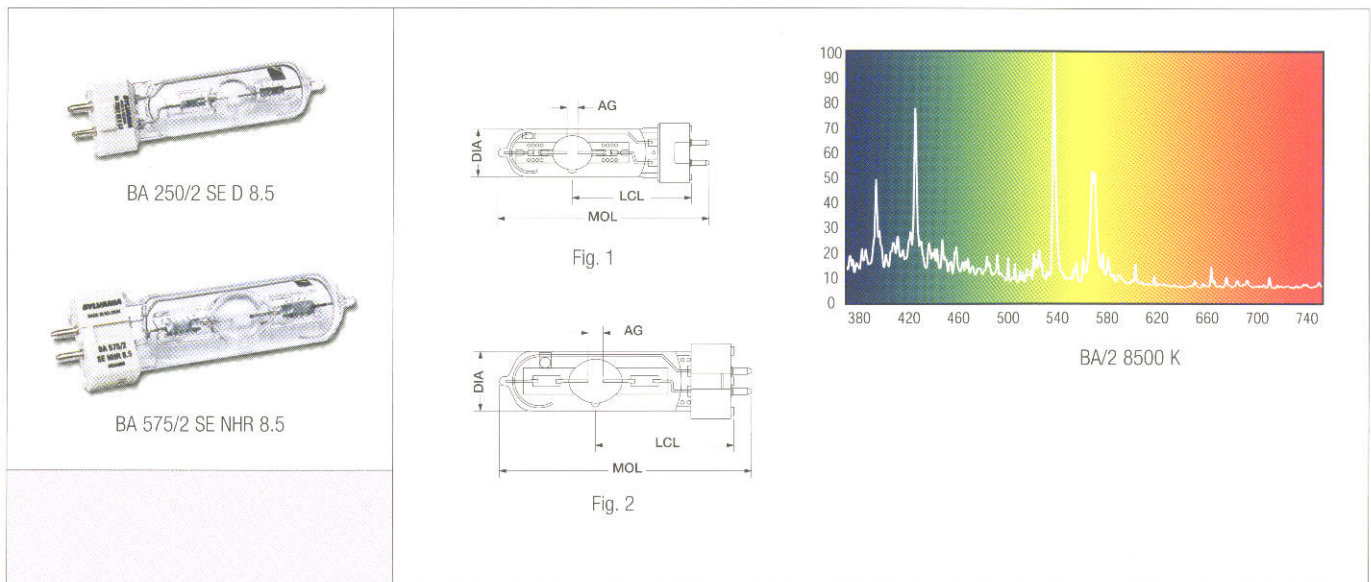
Item description	Watt	Voltage	Current	Ignition	Average	Replacement	Luminous	Colour	CRI	Total
	W	V	A	Pulse kV	Life hrs	Time hrs	Flux lm	Temp. K		UV-output W
BA SE NHR										
BA 150 SE NHR	150	95	1.80	1.9	1000	1500	12400	5600	90	15
BA 400 SE NHR	400	67	6.90	2.2	650	750	33000	6200	92	40
BA 575 SE NHR	575	95	6.95	2.2	750	1000	49000	5600	90	60
BA 1200 SE NHR	1200	100	13.80	2.5	750	1000	110000	6000	95	100
BA SE D (Long Life)										
BA 150 SE T	150	95	1.80	3.0	6000	8000	10000	6000	90	15
BA 200 SE D	200	70	3.30	1.9	3000	3500	14000	5600	70	15
BA 250 SE D	250	95	3.00	1.9	3000	3500	18800	5800	80	18
BA 575 SE D	575	95	6.95	2.2	2000	2500	49000	5600	90	60

Item description	Cap	Dimensions				Max. bulb	Max. pinch	Figure	Packing	Ordering
		MOL mm	AG mm	Dia mm	LCL mm	Temp. C°	Temp. C°	Nr.	Quantity	Code
BA SE NHR										
BA 150 SE NHR	GY9.5	80	5	17	37	700	350	2	10	0023987
BA 400 SE NHR	GX9.5	112	6	23	62	700	350	3	10	0023958
BA 575 SE NHR	GX9.5	125	7	30	65	700	350	3	10	0023960
BA 1200 SE NHR	G22	175	10	40	85	700	350	4	10	0023935
BA SE D (Long Life)										
BA 150 SE T	G12	108	11	23	56	500	350	1	10	0023978
BA 200 SE D	GY9.5	108	5	23	55	500	350	2	10	7220168
BA 250 SE D	GY9.5	108	5	23	55	500	350	2	10	7220169
BA 575 SE D	GX9.5	125	7	30	65	600	350	3	10	0023981

Nominal values measured at rated wattage in horizontal position.

BRITEARC Single Ended High Colour Temperature (BA/2 SE)

BriteArc Single Ended/2 lamps are compact light sources with a very high colour temperature offering stable crisp bright light during the complete lamp life. They can be re-struck after about 10 minutes. These lamps can be operated in any position.



FEATURES

- Crisp bright light
- High luminous efficacy
- Low infrared
- Colour stability
- Excellent lumen maintenance
- Physical ruggedness

APPLICATIONS

- Show lighting
- Theatre
- Discotheque lighting
- Effect lighting

DIRECTIONS FOR USE

- Burning position: universal
- Restrike after 10 minutes
- Only use in closed fixtures
- Can be operated on an electronic power supply or on a magnetic ballast



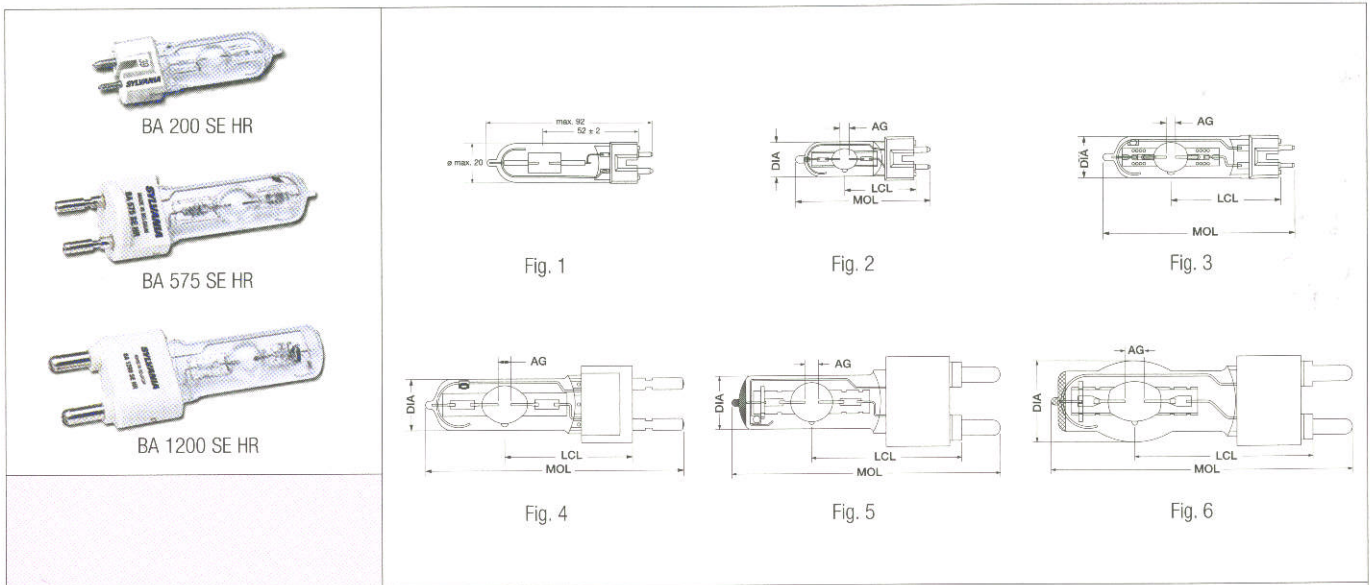
Item description	Watt W	Voltage V	Current A	Ignition Pulse kV	Average Life hrs	Replacement Time hrs	Luminous Flux lm	Colour Temp. K	CRI	Total UV-output W
BA 250/2 SE D 8.5	250	95	3.00	1.9	3000	3500	18000	8500	65	30
BA 575/2 SE NHR 7.2	575	95	6.95	2.2	1000	1200	45000	7200	85	65
BA 575/2 SE NHR 8.5	575	95	6.95	2.2	1000	1200	44000	8500	80	65

Item description	Cap	Dimensions				Max. bulb Temp. C°	Max. pinch Temp. C°	Figure Nr.	Packing Quantity	Ordering Code
	MOL mm	AG mm	Dia mm	LCL mm						
BA 250/2 SE D 8.5	GY9.5	108	5	23	55	500	350	1	10	0023998
BA 575/2 SE NHR 7.2	GX9.5	125	7	30	65	700	350	2	10	0024002
BA 575/2 SE NHR 8.5	GX9.5	125	7	30	65	700	350	2	10	0024000

Nominal values measured at rated wattage in horizontal position.

BRITEARC Single Ended Hot Restrike (BA SE HR)

BriteArc Single Ended Hot Restrike lamps are compact light sources, designed for optimum optical efficiency. The BriteArc lamps are filled with mercury and rare earth elements to obtain a high efficacy and a stable colour with a very good rendering index. They can be re-struck at any time with a voltage peak from 25 to 55 kV. These lamps can be operated in any position.



FEATURES

- High luminous efficacy
- Low infrared
- Colour stability
- Excellent lumen maintenance
- Physical ruggedness
- Hot restrike

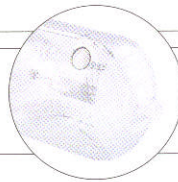
APPLICATIONS

- TV-Studio lighting
- Photo studios
- Show lighting
- Theatre
- Follow spots

DIRECTIONS FOR USE

- Burning position: universal
- Only use in closed fixtures
- Can be operated on an electronic power supply or on a magnetic ballast

Frosted top + UV stop for 200W, 400W, 575W and 800W



Item description	Watt	Voltage	Current	Ignition Pulse	Average Life	Replacement Time	Luminous Flux	Colour Temp.	CRI	Total UV-output
	W	V	A	kV	hrs	hrs	lm	K		W
BA 200 SE HR LCL Ceramic	200	70	2.7	25.0	750	1000	19000	3200	88	(*)
BA 200 SE HR LCL	200	70	3.3	25.0	200	450	15000	5600	95	(*)
BA 200 SE HR	200	70	3.3	25.0	200	450	15000	5600	95	(*)
BA 400 SE HR	400	67	6.9	25.0	650	750	33000	6200	92	40
BA 575 SE HR	575	95	6.9	25.0	750	1000	49000	5600	90	50
BA 800 SE HR	800	95	8.5	25.0	1000	1500	64000	6000	95	(*)
BA 1200 SE HR	1200	100	13.8	45.0	750	1000	110000	6000	95	100
BA 2500 SE HR	2500	115	25.6	45.0	500	750	240000	6000	95	200
BA 4000 SE HR	4000	200	24.0	50.0	500	750	380000	6300	95	150

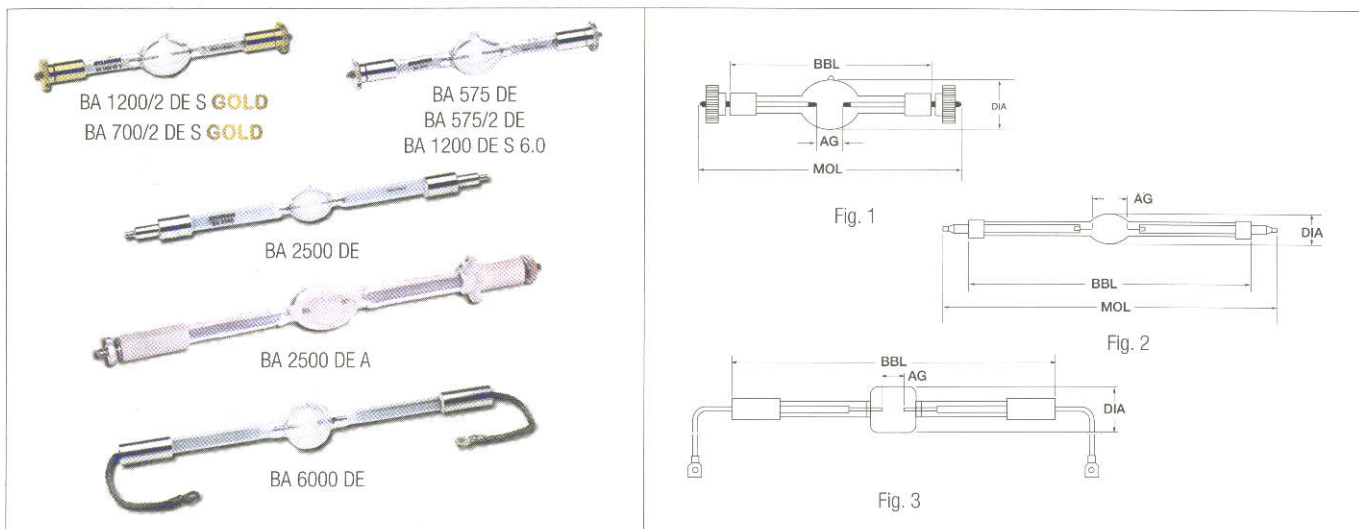
Item description	Cap	Dimensions				Max. bulb Temp. C°	Max. pinch Temp. C°	Figure Nr.	Packing Quantity	Ordering Code
		MOL mm	AG mm	Dia mm	LCL mm					
BA 200 SE HR LCL Ceramic	GZY9.5	92	-	20	52	700	350	1	10	0023940
BA 200 SE HR LCL	GZY9.5	90	5	20	52	700	350	1	10	0023944
BA 200 SE HR	GZY9.5	80	5	20	39	700	350	2	10	0023941
BA 400 SE HR	GZZ9.5	110	6	23	60	700	350	3	10	0023883
BA 575 SE HR	G22	145	7	30	70	700	350	4	10	0023932
BA 800 SE HR	G22	145	7	31	70	700	350	4	10	0023992
BA 1200 SE HR	G38	200	10	40	107	700	350	5	10	0023933
BA 2500 SE HR	G38	240	14	60	127	700	450	6	1	0023934
BA 4000 SE HR	G38	250	20	75	142	700	450	6	1	0023937

(*) UV stop Lamps

Nominal values measured at rated wattage in horizontal position.

BRITEARC Double Ended (BA DE)

BriteArc Double Ended lamps are metal halide light sources with excellent performance, specially designed for a wide variety of audio-visual applications. The BriteArc lamps are filled with mercury and rare earth elements to obtain a high efficacy and a stable colour. They can be re-struck at any time with a voltage peak from 25 to 55 kV.



FEATURES

- High luminous efficacy
- Low infrared
- Colour stability
- Excellent lumen maintenance
- Physical ruggedness
- Hot restrike
- BA 1200 DE S 7.2 and 700 DE S: excellent electrical contact with **GOLD** plated caps

APPLICATIONS

- Show lighting
- Theatre
- Discotheque lighting
- Follow spots
- Effect lighting
- Studio lighting
- Architectural lighting

DIRECTIONS FOR USE

- Burning position: universal for 575W, 700W and 1200W; horizontal plus or minus 30 degrees for BA 2500 DE; horizontal plus or minus 15 degrees for BA 2500 DE A, 4000W, 6000W and 12000W
- Only use in closed fixtures
- Can be operated on an electronic power supply or on a magnetic ballast

Item description	Watt	Voltage	Current	Average Life	Replacement Time	Luminous Flux	Colour Temp.	CRI	Total UV-output
	W	V	A	hrs	hrs	lm	K		W
BA 575 DE	575	95	7	750	1000	49000	5600	70	70
BA 575/2 DE	575	95	7	750	1000	44000	8000	70	100
BA 700/2 DE S GOLD	700	70	11.2	750	1000	56000	7500	70	100
BA 1200 DE	1200	100	13.8	750	1000	110000	5600	80	140
BA 1200 DE S 6.0	1200	105	13.8	750	1000	110000	6000	90	130
BA 1200/2 DE S 7.2 GOLD	1200	100	13.8	750	1000	95000	7200	77	160
BA 2500 DE	2500	115	26.6	500	750	240000	5600	90	310
BA 2500 DE A	2500	120	21.7	2000	2400	250000	5600	90	150
BA 4000 DE	4000	200	24.0	500	750	380000	6000	85	640
BA 6000 DE	6000	123	55.0	350	450	570000	6000	90	1000
BA 12000 DE	12000	160	82.0	500	550	1100000	6000	90	2200

Item description	Cap	Dimensions				Max. bulb Temp. °C	Max. pinch Temp. °C	Figure Nr.	Packing Quantity	Ordering Code
		MOL mm	AG mm	Dia mm	BBL mm					
BA 575 DE	SFc10-4	136	7	21	115	800	230	1	10	0023921
BA 575/2 DE	SFc10-4	138	7	21	115	800	230	1	10	0023919
BA 700/2 DE S GOLD	SFc10-4*	136	4	18,5	115	1000	500 ETP**	1	10	0023994
BA 1200 DE	SFc15.5-6	220	10	28	180	800	230	1	10	0023922
BA 1200 DE S 6.0	SFc10-4*	138	7	22,5	115	800	450	1	10	0023995
BA 1200/2 DE S 7.2 GOLD	SFc10-4*	136	7	21	115	800	500 ETP**	1	10	0023996
BA 2500 DE	SFa21-12	355	20.5	32	290	800	230	2	1	0023923
BA 2500 DE A	SFc	364	25	36,5	182	800	230	2	1	0023911
BA 4000 DE	SFa21-12	405	34	40	340	800	230	2	1	0023924
BA 6000 DE	S25.5X60	-	22	52	450	900	230	3	1	0023925
BA 12000 DE	S30X70	-	32	65	470	900	230	3	1	0023927

* Pre-focussed base. Nominal values measured at rated wattage in horizontal position.

** Extreme Temperature Protection. Maximum allowed pinch temperature 500 °C.