

# MSR Gold™ MiniFastFit (DJ/Club)

MSR Gold™ 300/2 MiniFastFit 1CT



Thanks to the specially designed lamp base and lamp holder, the MSR Gold™ MiniFastFit takes just seconds to replace, to help ensure non-stop clubbing entertainment. In addition, the innovative gold plated pins ensure excellent current transfer to prolong lamp and lamp holder lifetimes and thereby reduce lamp replacement costs. Easy handling and small compact fixture designs are allowed by the lamps compact size, while the very short arc provides a high perceived brightness and high beam intensity.

## Product data

### • General Characteristics

System Description	MiniFastFit
Cap-Base	PGJX28
Cap-Base Information	PGJX28
Execution	-
Burning Position	any
Main Application	Entertainment
Life to 50% failures	750 hr
EM	
Non-household	For professional use only-not for domestic use
Symbol	

### • Light Technical Characteristics

Colour Code	2
Colour Rendering Index	80 Ra8
Colour Temperature	9300 K
Colour Temperature Technical	9300 K
Chromaticity Coordinate X	288 -
Chromaticity Coordinate Y	306 -
Lamp Luminous Flux EM	21000 (min), 23000 (nom) Lm
Lamp Luminous Efficacy EM	77 Lm/W

### • Electrical Characteristics

Rated Lamp Wattage	300 W
Technical Lamp Power	300 W

Lamp Current	3.8 A
Ignition Supply Voltage	207 (min) V
Dimmable	yes

### • Luminaire Design Requirements

Pinch Temperature	500 (max) C
Bulb Temperature	950 (max) C

### • Product Dimensions

Overall Length C	126 (max) mm
Diameter D	23 (max) mm
Light Center Length L	65.8 (min), 66.8 (nom), 67.8 (max) mm
Arc Length O	5.0 mm

### • Product Data

Order code	221111 00
Full product code	871829122111100
Full product name	MSR Gold™ 300/2 MiniFastFit 1CT
Order product name	MSR Gold 300/2 MiniFastFit 1CT/4
Pieces per pack	1
Packing configuration	4
Packs per outerbox	4
Bar code on pack - EAN1	8718291221111
Bar code on outerbox - EAN3	8718291221128
Logistic code(s) - 12NC	928177105115
Net weight per piece	0.062 kg

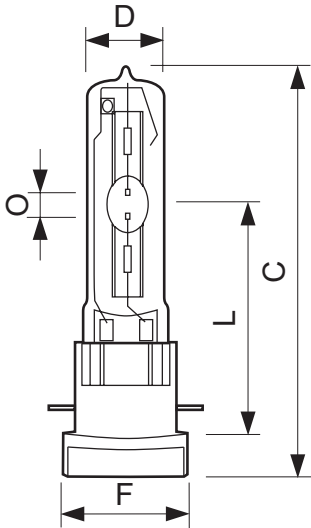
**PHILIPS**

## Warnings and Safety

- A lamp breaking is extremely unlikely to have any impact on your health. If a lamp breaks, ventilate the room for 30 minutes and

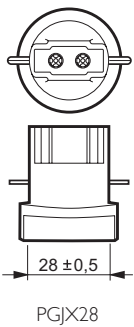
remove the parts, preferably with gloves. Put them in a sealed plastic bag and take it to your local waste facilities for recycling. Do not use a vacuum cleaner.

## Dimensional drawing



## MSR Gold™ 300/2 MiniFastFit 1CT

Product	A (Min)	A (Norm)	A (Max)	C (Max)	D (Max)	D1 (Norm)	F (Min)	F (Norm)	F (Max)	L (Min)	L (Norm)	L (Max)	O (Norm)
MSR GOLD 300/2 MiniFastFit	-	-	-	126	23	-	-	-	-	65.8	66.8	67.8	5.0



© 2015 Koninklijke Philips N.V. (Royal Philips)  
All rights reserved.

Specifications are subject to change without notice. Trademarks are the property of Koninklijke Philips N.V. (Royal Philips) or their respective owners.

[www.philips.com/lighting](http://www.philips.com/lighting)

2015, October 12  
data subject to change