

# MSR Gold™ MiniFastFit (DJ/Club)

## MSR Gold™ 300/2 MiniFastFit 1CT



Thanks to the specially designed lamp base and lamp holder, the MSR Gold™ MiniFastFit takes just seconds to replace, to help ensure non-stop clubbing entertainment. In addition, the innovative gold plated pins ensure excellent current transfer to prolong lamp and lamp holder lifetimes and thereby reduce lamp replacement costs. Easy handling and small compact fixture designs are allowed by the lamps compact size, while the very short arc provides a high perceived brightness and high beam intensity.

## Product data

### • General Characteristics

System Description	MiniFastFit
Cap-Base	PGJX28
Cap-Base Information	PGJX28
Execution	-
Operating Position	any
Main Application	Entertainment
Life to 50% failures	750 hr
EM	

### • Light Technical Characteristics

Color Code	2
Color Rendering Index	80 Ra8
Color Temperature	9300 K
Color Temperature Technical	9300 K
Chromaticity Coordinate X	288 -
Chromaticity Coordinate Y	306 -
Luminous Flux Lamp EM	21000 (min), 23000 (nom) Lm
Luminous Efficacy Lamp EM	77 Lm/W

### • Electrical Characteristics

Lamp Wattage	300 W
Lamp Wattage Technical	300 W
Lamp Current	3.8 A

Ignition Supply Voltage	207 (min) V
Dimmable	Yes

### • Luminaire Design Requirements

Pinch Temperature	500 (max) C
Bulb Temperature	950 (max) C

### • Product Dimensions

Overall Length C	126 (max) mm
Diameter D	23 (max) mm
Light Center Length L	65.8 (min), 66.8 (nom), 67.8 (max) mm
Arc Length O	5.0 mm

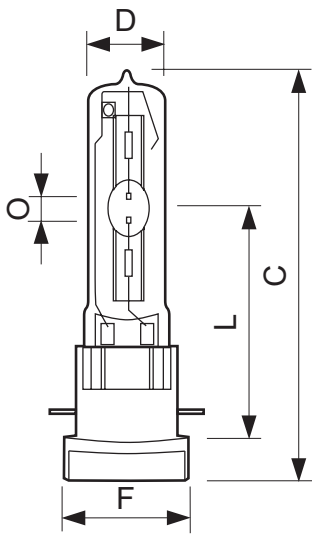
### • Product Data

Order code	928177105115
Full product code	928177105115
Full product name	MSR Gold™ 300/2 MiniFastFit 1CT
Order product name	MSR Gold 300/2 MiniFastFit 1CT/4
Pieces per pack	1
Packing configuration	4
Packs per outerbox	4
Bar code on pack - EAN1	8718291221111
Bar code on outerbox - EAN3	8718291221128
Logistic code(s) - 12NC	928177105115
Net weight per piece	0.062 kg

# PHILIPS

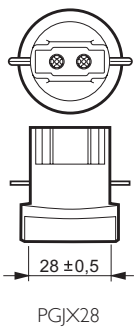
# MSR Gold™ MiniFastFit (DJ/Club)

## Dimensional drawing



## MSR Gold™ 300/2 MiniFastFit 1CT

Product	A (Min)	A (Norm)	A (Max)	C (Max)	D (Max)	D1 (Norm)	F (Min)	F (Norm)	F (Max)	L (Min)	L (Norm)	L (Max)	O (Norm)
MSR GOLD 300/2 MiniFastFit	-	-	-	126	23	-	-	-	-	65.8	66.8	67.8	5.0



© 2014 Koninklijke Philips N.V. (Royal Philips)  
All rights reserved.

Specifications are subject to change without notice. Trademarks are the property of Koninklijke Philips N.V. (Royal Philips) or their respective owners.

[www.philips.com/lighting](http://www.philips.com/lighting)

2014, April 11  
data subject to change