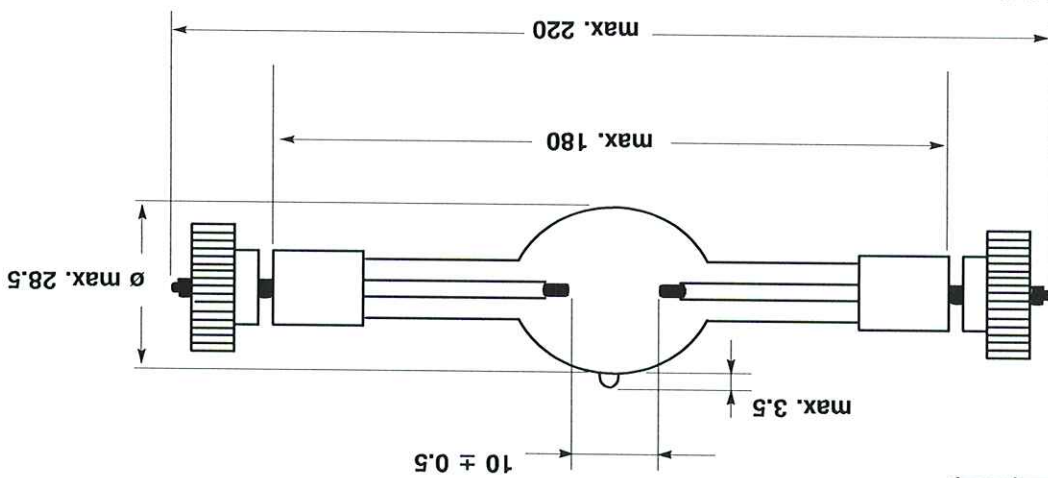




# METAL HALIDE LAMP

## BA 1200 DE

### DIMENSIONS (mm)



Cap : SFC15.5-6  
Bulb : Quartz glass

### ELECTRICAL DATA:

	NOMINAL VALUE		MIN.	MAX.
Lamp wattage (W)	1200	1000	1400	
Lamp voltage (V)	100	90	110	
Lamp current (A)	13.8		16	

### OPERATING CONDITIONS:

Burning position : universal  
 Starting voltage peak cold (kV) :  
 Starting voltage peak warm (kV) : 3  
 Pinch temperature (°C) : 45  
 Bulb temperature (°C) : 230  
 800

### LAMP LIFE

Average life (h) : 750  
 Replacement time (h) : 1000  
 \* Cycle : 3 hours ON, 1/2 hour off at rated wattage  
 \*\* Increasing shattering risk

### PHOTOMETRIC DATA\*\*\* :

Initial luminous flux (lm) : 110 000  
 Luminous efficacy (lm/W) : 92  
 Correlated colour temperature (K) : 5600  
 Colour rendering index (class) : 1b  
 Specific Effective UV-power (mW/km) : 150  
 \*\*\* Measurement at nominal wattage in horizontal position

**ATTENTION :** The lamp must be operated in a suitably enclosed fitting. Due to the high operating pressure inside the lamp, the possibility exists that in extreme circumstances the lamp might shatter. The lamp generates UV-radiation. Read the safety instructions packed with the lamp. Lamp complies with the requirements of IEC publication 62035.

Issued by : TIENEN  
 Date : 31.10.1995  
 Revision date : 13.10.2004

## DATA SHEET

Specification No. : 44-BA-0023922/C  
 Supersedes : 44-80-1200/B 13.07.1998  
 Page 1 of 1

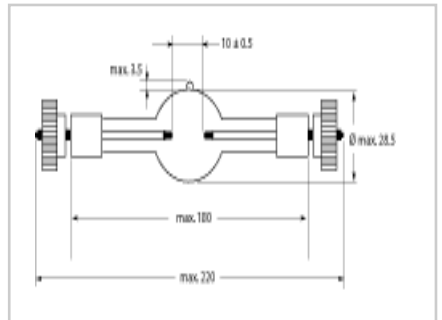
Product selected: BA 1200 DE

Product Attributes	
Item description	BA 1200 DE
Bulb shape	Double ended
Bulb finish / Light colour	Clear
Nominal wattage (W)	1200
Nominal Voltage (V)	100
Cap	SFc15.5-6
Maximum Lamp length L [mm]	220
Diameter D [mm]	28
Colour temperature (K)	5600
Ordering Code	0023922

## Product Image



## Product line drawing (image)



## Cap (image)

