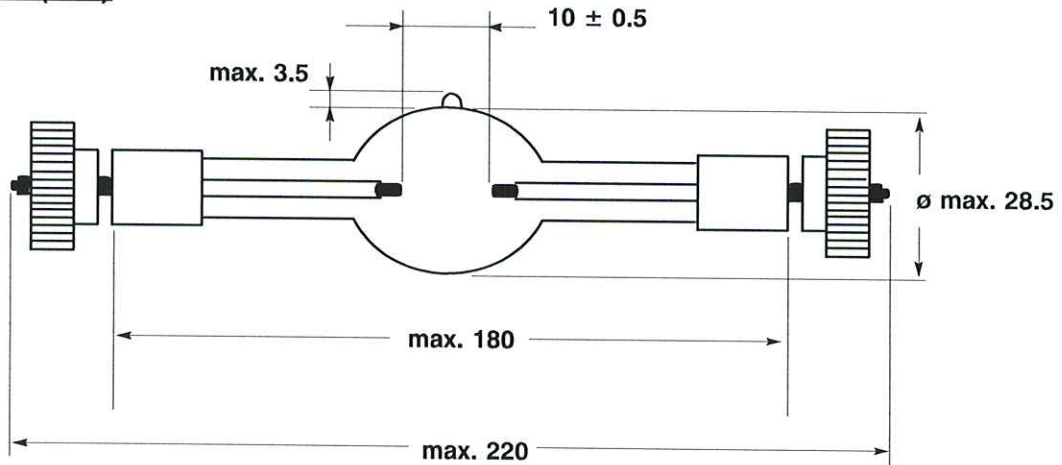




DIMENSIONS (mm)



Cap : SFc15.5-6
 Bulb : Quartz glass

ELECTRICAL DATA:		NOMINAL VALUE	MIN.	MAX.
Lamp wattage	(W) :	1200	1000	1400
Lamp voltage	(V) :	100	90	110
Lamp current	(A) :	13.8		16

OPERATING CONDITIONS:

Burning position	:	universal		
Starting voltage peak cold (kV)	:		3	
Starting voltage peak warm (kV)	:		45	55
Pinch temperature (°C)	:			230
Bulb temperature (°C)	:			800

LAMP LIFE

Average life	*(h) :	750		
Replacement time	** (h) :			1000

* Cycle : 3 hours ON, 1/2 hour off at rated wattage

** Increasing shattering risk

PHOTOMETRIC DATA*** :

Initial luminous flux	(lm) :	110 000		
Luminous efficacy	(lm/W) :	92		
Correlated colour temperature	(K) :	5600		
Colour rendering index	(class) :	1b		
Specific Effective UV-power	(mW/klm) :			150

*** Measurement at nominal wattage in horizontal position

ATTENTION : The lamp must be operated in a suitably enclosed fitting. Due to the high operating pressure inside the lamp, the possibility exists that in extreme circumstances the lamp might shatter. The lamp generates UV-radiation. Read the safety instructions packed with the lamp. Lamp complies with the requirements of IEC publication 62035.

Issued by : TIENEN
 Date : 31.10.1995
 Revision date : 13.10.2004

DATA SHEET

Specification No. : 44-BA-0023922/C
 Supersedes : 44-80-1200/B 13.07.1998
 Page 1 of 1

Product selected: BA 1200 DE

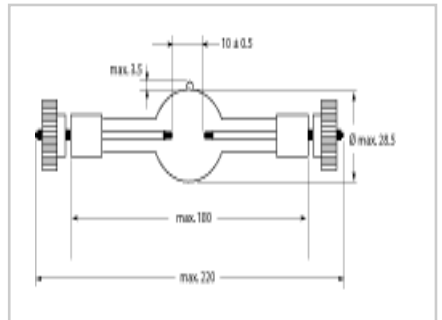
Product Attributes

Item description	BA 1200 DE
Bulb shape	Double ended
Bulb finish / Light colour	Clear
Nominal wattage (W)	1200
Nominal Voltage (V)	100
Cap	SFc15.5-6
Maximum Lamp length L [mm]	220
Diameter D [mm]	28
Colour temperature (K)	5600
Ordering Code	0023922

Product Image



Product line drawing (image)



Cap (image)

