



# MSR 700 SA ICT

## Product family description

MSR Short Arc – for longer life  
The lamp's short arc and compact design helps enable a compact luminaire that provides high beam intensity, while the excellent color rendition characteristics help ensure optimal colors on stage. The highly innovative P3 technology, developed by Philips, allows MSR Short Arc lamps to be used at higher temperatures in any burning position. The result? Longer lifetime, fewer early failures and a highly consistent performance throughout the lamp's lifetime.

## Product Features

- Philips Pinch Protection
- Short arc
- Compact lamp design
- MSR filling

## Product Benefits

- Enables use at higher temperatures in any burning position. Longer lifetime, fewer early failures, consistent performance over time
- High beam intensity
- Compact design luminaires
- Excellent color characteristics, optimal colors on stage

## Application

- Entertainment

## Luminaires

- Must only be operated in closed luminaires, because of the high internal working pressure
- Luminaires must block the emitted UV radiation, with no radiation spill through ventilation slots

## System

- Should preferably be operated on power-stabilised electronic ballasts, although magnetic ballasts can also be used

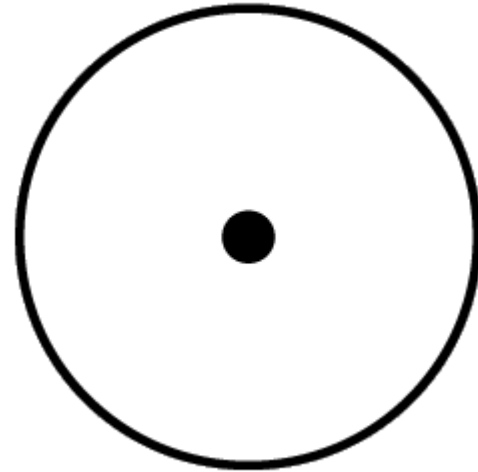
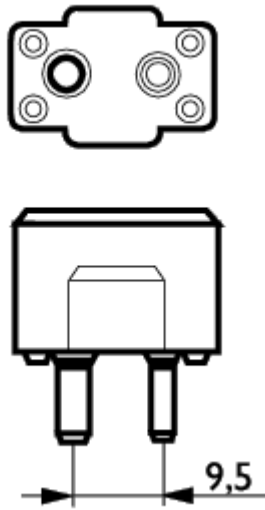
Product data	
Order code	199492 45
Full product name	MSR 700 SA ICT
Packing type	1 Carton
Pieces per pack	1
Net weight per piece	0.020 KG
Successor order code	
System Description	Short Arc
Cap-Base	GY9.5
Cap-Base Information	-
Execution	-
Operating Position	any
Main Application	Studio/Disco
Additional Information	-
Packing Type	ICT [1 Carton]
Packing Configuration	4
Life to 50% failures EM	750 hr [nom]
Lamp Wattage	700W
Technical Type	700
Lamp Wattage Technical	700 W [nom]
Lamp Current	11 A [nom]
Ignition Supply Voltage	207 V [min]
Dimmable	No
Color Code	-
Color Rendering Index	80 Ra8 [nom]
Color Temperature	5600 K [nom]
Color Temperature Technical	5600 K [nom]
Chromaticity Coordinate X	330 - [nom]
Chromaticity Coordinate Y	342 - [nom]
Luminous Flux Lamp EM	54000 Lm [min] 55000 Lm [nom]
Luminous Efficacy Lamp EM	80 Lm/W [nom]
Base Face to Base Face A	- mm [min] - mm [nom] - mm [max]
Overall Length C	83 mm [max]
Diameter D	25 mm [max]
Diameter DI	- mm [nom]
Width F	- mm [min] - mm [nom] - mm [max]
Light Center Length L	38.5 mm [min] 39 mm [nom] 39.5 mm [max]
Arc Length O	4.0 mm [nom]
Pinch Temperature	500 C [max]
Bulb Temperature	1000 C [max]



MSR 400 SA, MSR 700 SA

**MSR GY9.5**

# PHILIPS

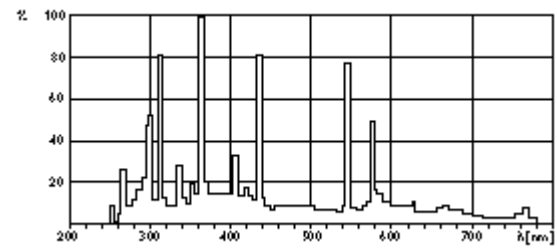


Cap-Base GY9.5

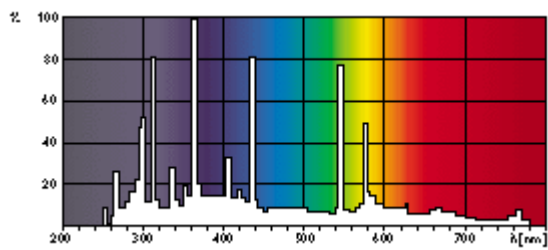
Operating Position any

**Philips Pinch Protection technology**

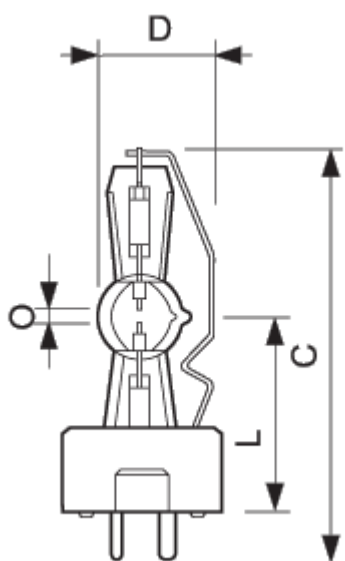
- **Reliability**, through longer lifetime and fewer early failures.
- **Quality**, through excellent storage characteristics and consistent performance over time.
- **Compactness**, allowing more compact design of fixtures and burning positions.



MSR SA



MSR SA



GY9.5

MSR

	A	A	A	A	A	A
Full product name	Min	Min	Nom	Nom	Max	Max
MSR 700 SA ICT	-	-	-	-	-	-

	C	C	D	D	D1	D1
Full product name	Max	Max	Max	Max	Nom	Nom
MSR 700 SA ICT	83	83	25	25	-	-

	F	F	F	F	F	F
Full product name	Min	Min	Nom	Nom	Max	Max
MSR 700 SA ICT	-	-	-	-	-	-

	L	L	L	L	L	L
Full product name	Min	Min	Nom	Nom	Max	Max
MSR 700 SA ICT	38.5	38.5	39	39	39.5	39.5

	O	O
Full product name	Nom	Nom
MSR 700 SA ICT	4.0	4.0



©2009 Koninklijke Philips Electronics N.V.

All rights reserved. Reproduction in whole or in part is prohibited without the prior written consent of the copyright owner. The information presented in this document does not form part of any quotation or contract, is believed to be accurate and reliable and may be changed without notice. No liability will be accepted by the publisher for any consequence of its use. Publication thereof does not convey nor imply any license under patent- or other industrial or intellectual property rights.

Document order number : 0000 000 00000