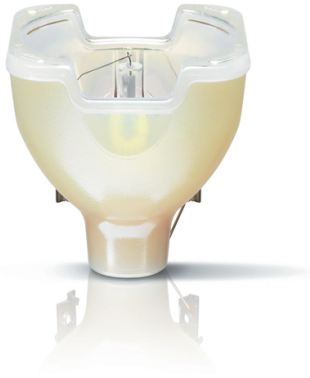


# MSD Platinum (Touring/Stage)



## MSD Platinum 15 R 1CT

The MSD Platinum lamps open up new levels of creative freedom in entertainment lighting, with powerful, compact and brilliantly intense light. Their compact, lightweight design provides the freedom to create smaller, lighter luminaires – for use at any location on stage. And their short arc, high color temperature and innovative reflector produce a sparkling, high beam intensity for outstanding color reproduction. They also offer long and reliable lifetime, high efficacy and fast replacement times. It all adds up to an intensely exciting creative experience.

## Product data

### • General Characteristics

System Description	-
Cap-Base	-
Cap-Base Information	-
Operating Position	any
Main Application	Stage/Touring
Life to 50% failures	1500 hr
EM	

### • Light Technical Characteristics

Color Code	2
Color Temperature	8000 K
Chromaticity Coordinate X	299 -
Chromaticity Coordinate Y	303 -
Luminous Flux Lamp EM	11000 (min), 13500 (nom) Lm

### • Electrical Characteristics

Watts	300 W
Lamp Wattage Technical	300 W
Dimmable	Yes

### • Luminaire Design Requirements

Pinch Temperature	350 (max) C
Bulb Temperature	900 (max) C
Working Distance	31.42 mm
WD	

### • Product Dimensions

Overall Length C	66.4 (max) mm
Diameter D	58.5 (max) mm
Arc Length O	1.3 mm

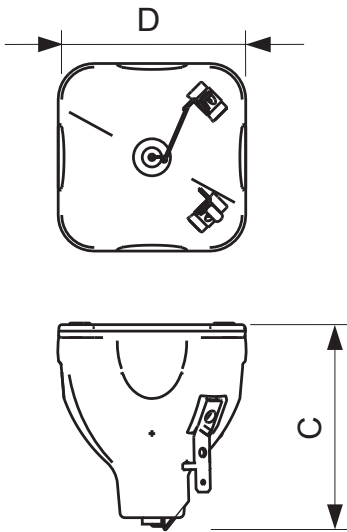
### • Product Data

Product number	276089
Full product name	MSD Platinum 15 R 1CT
Short product name	MSD Platinum 15 R 1CT
Pieces per Sku	1
eop_pck_cfg	8
Skus/Case	8
Bar code on pack	8718291135357
Bar code on case	8718291135364
Logistics code(s)	928191605314
eop_net_weight_pp	0.100 kg

**PHILIPS**

# MSD Platinum (Touring/Stage)

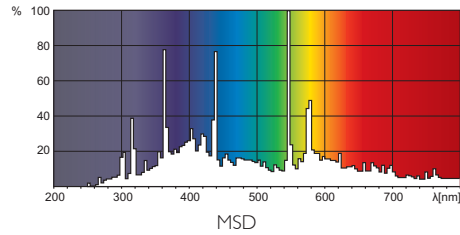
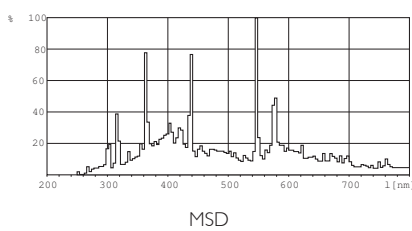
## Dimensional drawing



## MSD Platinum 15 R 1CT

Product	C (Max)	D (Max)	F (Min)	F (Norm)	F (Max)	L (Min)	L (Norm)	L (Max)	O (Norm)	T (Max)	W (Norm)
MSD Platinum 15 R	66.4	58.5	-	-	-	-	-	-	1.3	-	31.42

## Photometric data



© 2014 Koninklijke Philips N.V. (Royal Philips)  
All rights reserved.

Specifications are subject to change without notice. Trademarks are the property of Koninklijke Philips N.V. (Royal Philips) or their respective owners.

[www.philips.com/lighting](http://www.philips.com/lighting)

2014, April 15  
data subject to change