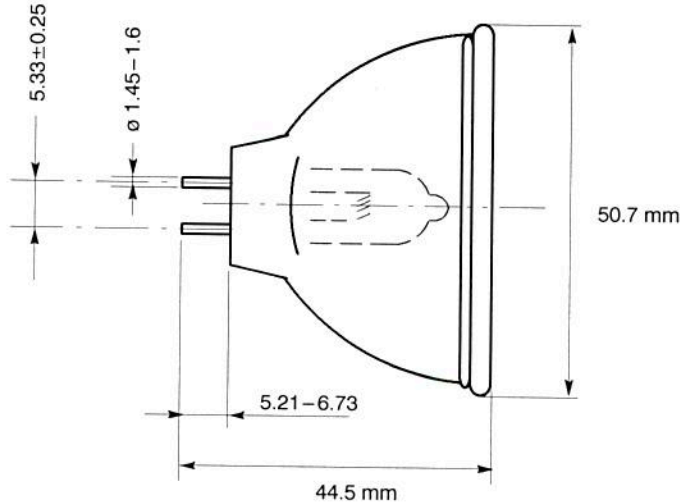




DIMENSIONS (mm)



BASE : GX5.3
 FILAMENT TYPE : CC-6

ANSI : ELC
 LIF : A1/259

ELECTRICAL DATA :	NOMINAL VALUE	MIN	MAX
Lamp Voltage	(V) : 24		
Lamp Wattage	(W) : 250		

OPERATING CONDITIONS :

Working distance	(mm)	:	31.7	
Burning position		:	S90	
Max. perm. pinch t°	(°C)	:		400
Max. perm. bulb t°	(°C)	:		900

LAMP LIFE :

Rated average life	(h)	:	50
--------------------	-----	---	----

PHOTOMETRIC DATA :

Colour temperature	(K)	:	3400
Reflector surface		:	facet
Min. center intensity	(lux)	:	1200
Corner center ratio	(%)	:	50

APPLICATION: Microfilm readers • medical equipment • fiber optic applications • enlargers • overhead projectors • slide projectors

ATTENTION: Lamp must comply with the requirements of IEC 60357. The product must be used with suitable operating equipment and in accordance with the specified data.

Issued by : TIENEN
 Date : 08.02.2005
 Revision date : 12.01.2007

DATA SHEET

Specification No. : 51-POH-0061740/A
 Supersedes : 51-POH-0061740
 Page 1 of 1