

PAR56 and PAR64



PAR64 1000W 240V NSP

These self-contained spotlights are ideal for intensifying the visual experience in all kinds of clubs, that is because their accurate beam control picks out even the smallest of details even over long distances. This beam control makes the PAR 56 and PAR 64 excellent for long-range light projections. In addition, the universal burning feature provides complete flexibility of luminaires angle and position, while the front glass of the PAR56 provides thermal and physical protection. The result? Complete creative freedom to achieve the desired effect. Immediate re-strike also ensures instant resumption of entertainment after any power interruption.

Product data

• General Characteristics

| | |
|----------------------|----------------------------|
| ANSI Code | EXD |
| LIF Code | CP61 |
| Cap-Base | GX16d |
| Cap-Base Information | - |
| Bulb | PAR64 [PAR 64inch/180mm] |
| Operating Position | any |
| Main Application | Flood and Ambient Lighting |
| Gas Filling | GAS |
| Average Lifetime | 300 hr |
| Life to 50% failures | 300 (min) hr |

• Light Technical Characteristics

| | |
|----------------------|-----------------|
| Beam Description | Narrow Spot |
| Beam Angle | 12 D |
| Beam Angle Technical | 12 D |
| Luminous Intensity | 290000 (max) cd |
| Color Temperature | 3200 K |

• Electrical Characteristics

| | |
|--------------|--------|
| Lamp Wattage | 1000 W |
|--------------|--------|

| | |
|----------|-------|
| Voltage | 240 V |
| Dimmable | Yes |

• Product Dimensions

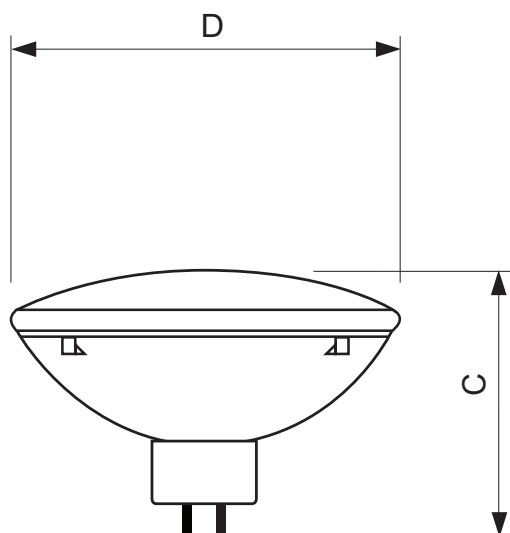
| | |
|------------------|--------------|
| Overall Length C | 150 (max) mm |
| Diameter D | 204 (max) mm |

• Product Data

| | |
|-----------------------------|----------------------|
| Order code | 924783345504 |
| Full product code | 924783345504 |
| Full product name | PAR64 1000W 240V NSP |
| Order product name | PAR64 1000W 240V NSP |
| Pieces per pack | 1 |
| Packing configuration | 6 |
| Packs per outerbox | 6 |
| Bar code on pack - EAN1 | 8711500440723 |
| Bar code on outerbox - EAN3 | 8711500440730 |
| Logistic code(s) - 12NC | 924783345504 |
| Net weight per piece | 0.760 kg |

PHILIPS

Dimensional drawing



PAR64 1000W 240V NSP

| Product | C (Max) | D (Max) |
|----------------------|---------|---------|
| PAR64 1000W 240V NSP | 150 | 204 |



© 2014 Koninklijke Philips N.V. (Royal Philips)
All rights reserved.

Specifications are subject to change without notice. Trademarks are the property of Koninklijke Philips N.V. (Royal Philips) or their respective owners.

www.philips.com/lighting

2014, April 11
data subject to change