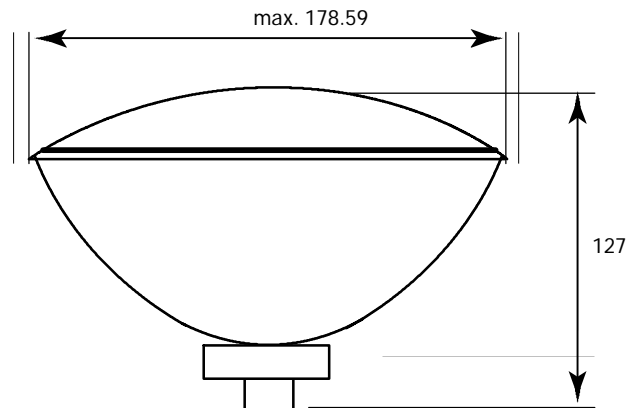
DIMENSIONS (mm)

BASE : GX16d

LIF : C78.21-2003  
C81.63-2003  
C78.21-259

<u>ELECTRICAL DATA :</u>	<u>NOMINAL VALUE</u>	<u>MIN</u>	<u>MAX</u>
Lamp Voltage	(V) : 230&240		
Lamp Wattage	(W) : 300		324

OPERATING CONDITIONS :

Burning position	:	ANY	
Max. perm. pinch t°	(°C)	:	--
Max. perm. bulb t°	(°C)	:	900

LAMP LIFE :

Rated average life	(h)	:	2000
--------------------	-----	---	------

PHOTOMETRIC DATA :

Colour temperature	(K)	:	2750
Peak Intensity	(cd)	:	30000
Beam type		:	Medium Flood
Approx. beam spread	(10%)	:	34x19
	(50%)	:	21x11

APPLICATION: Theatre lighting \$ Displays \$ Museums \$ Churches \$ Towers \$ Exhibitions \$ Gardens \$ Disco'sATTENTION: Lamp must comply with the requirements of IEC 60357. The product must be used with suitable operating equipment and in accordance with the specified data.Issued by : TIENEN  
Date : 04.12.2006  
Revision date :**DATA SHEET**Specification No. : 51-POH-0060511  
Supersedes :  
Page 1 of 1