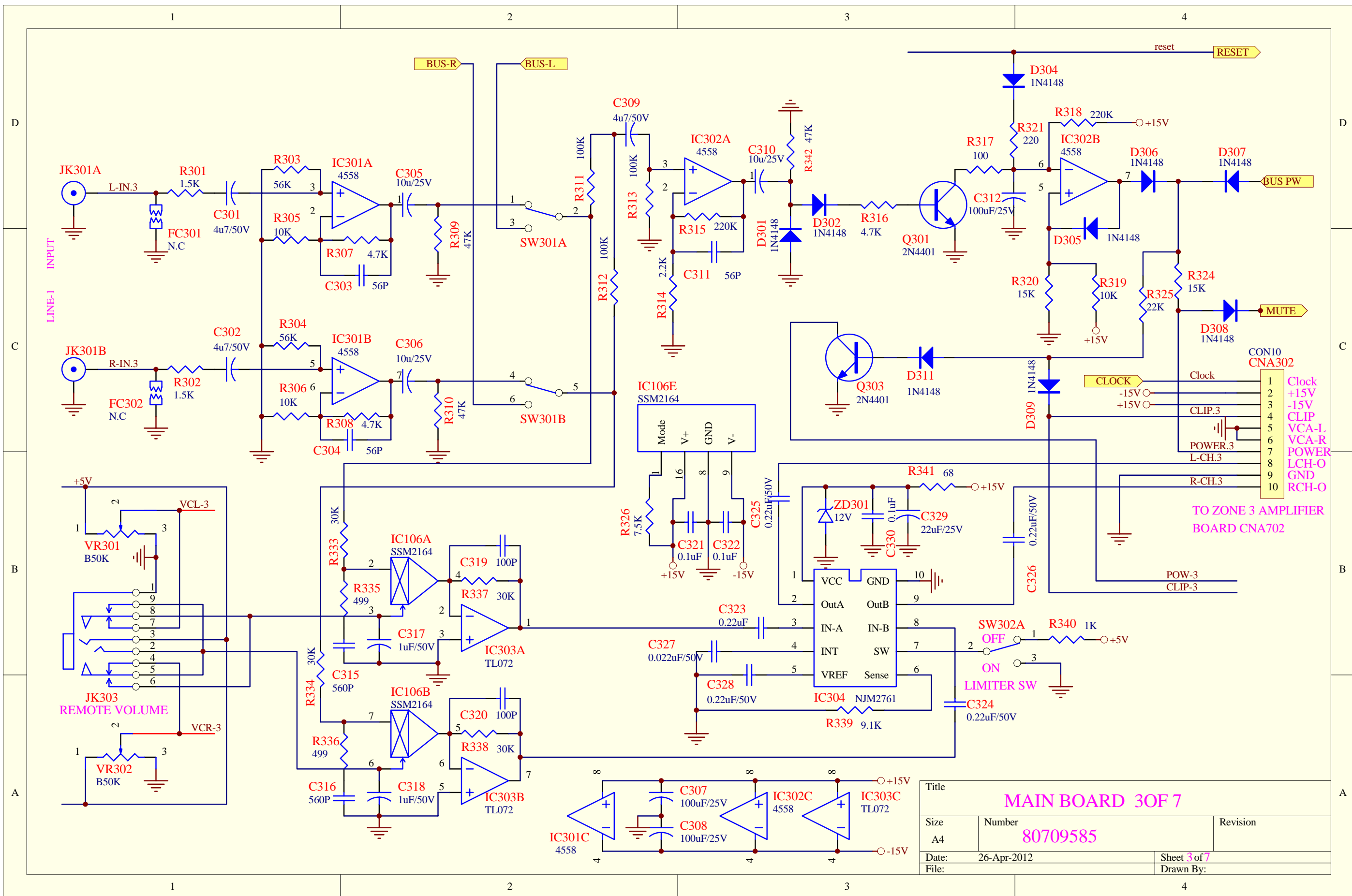
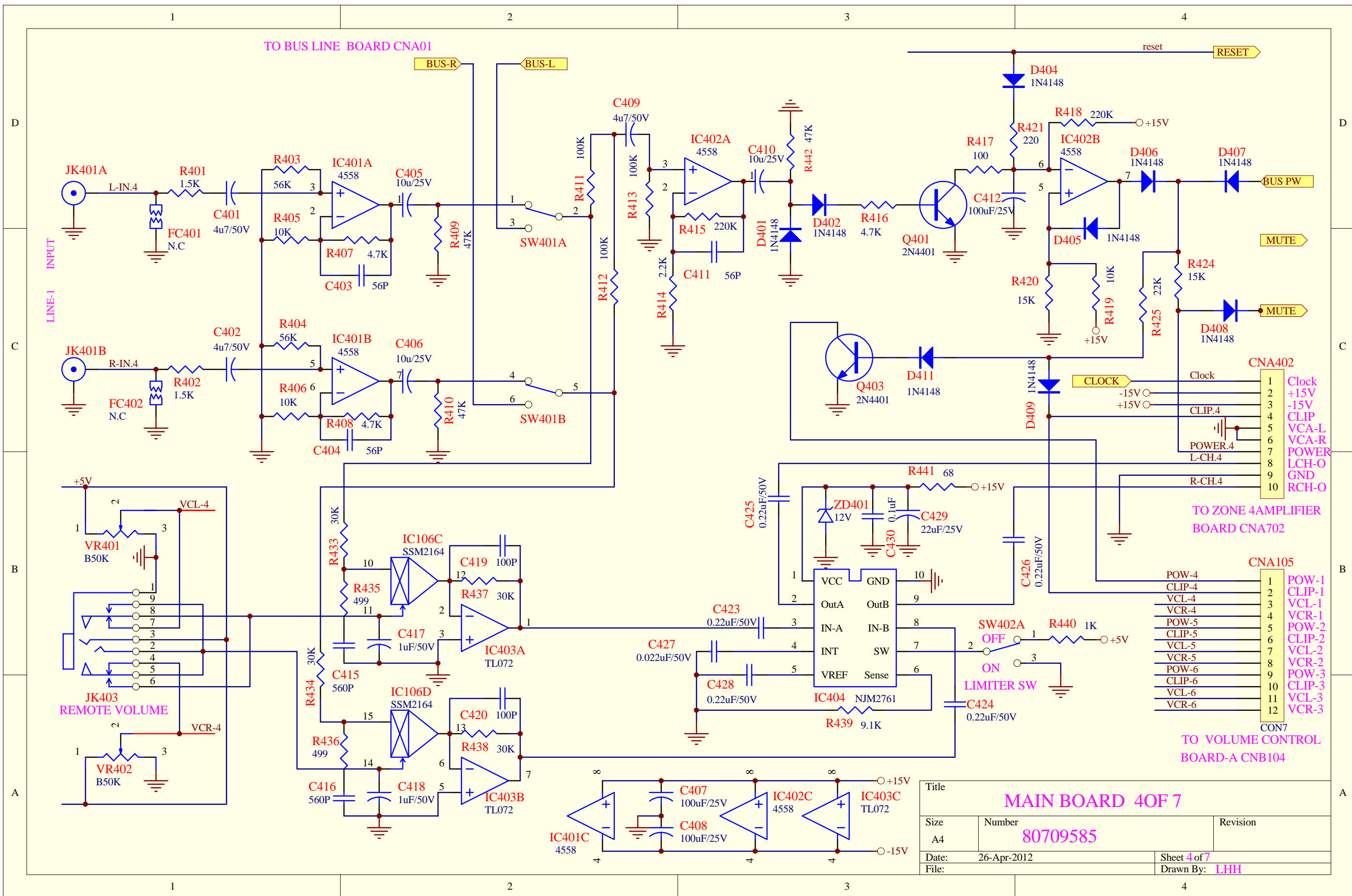


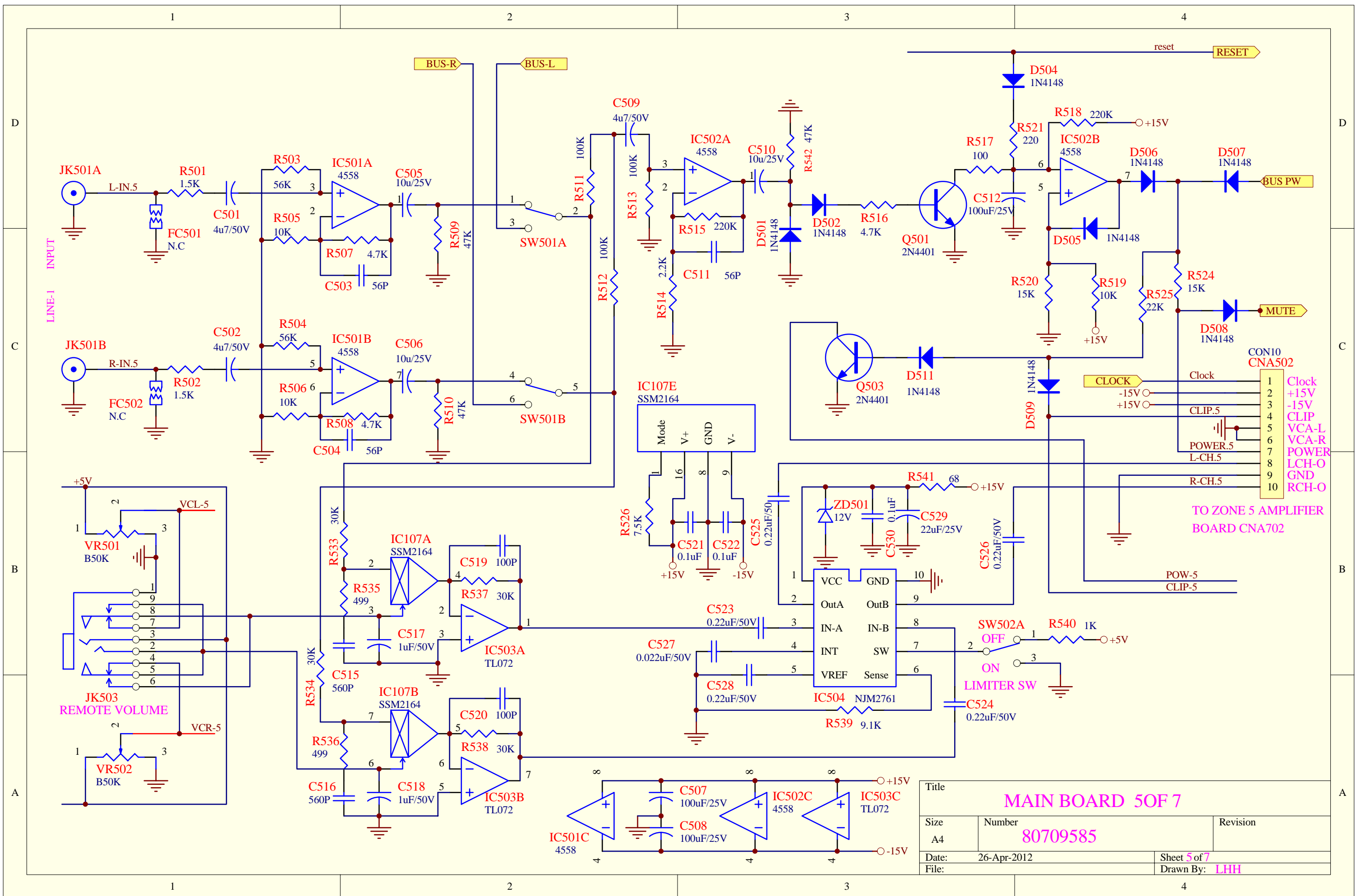
Title			MAIN BOARD 2OF 7		
Size	Number	Revision			
A4	80709585				
Date:	26-Apr-2012	Sheet 2 of 7		Drawn By: LHH	
File:					



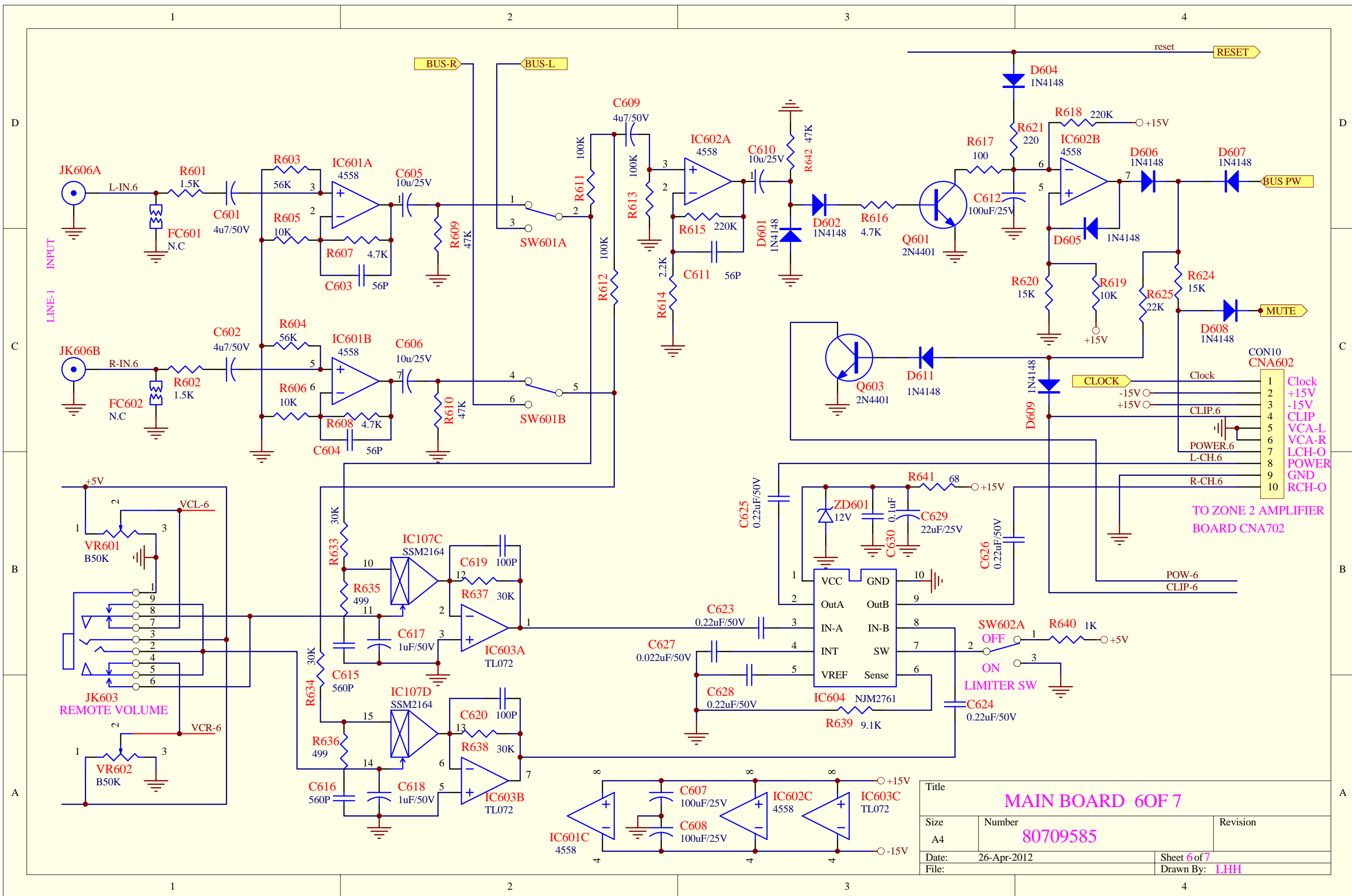
Title		
<b>MAIN BOARD 3OF 7</b>		
Size	Number	Revision
A4	<b>80709585</b>	
Date:	26-Apr-2012	Sheet 3 of 7
File:		Drawn By:



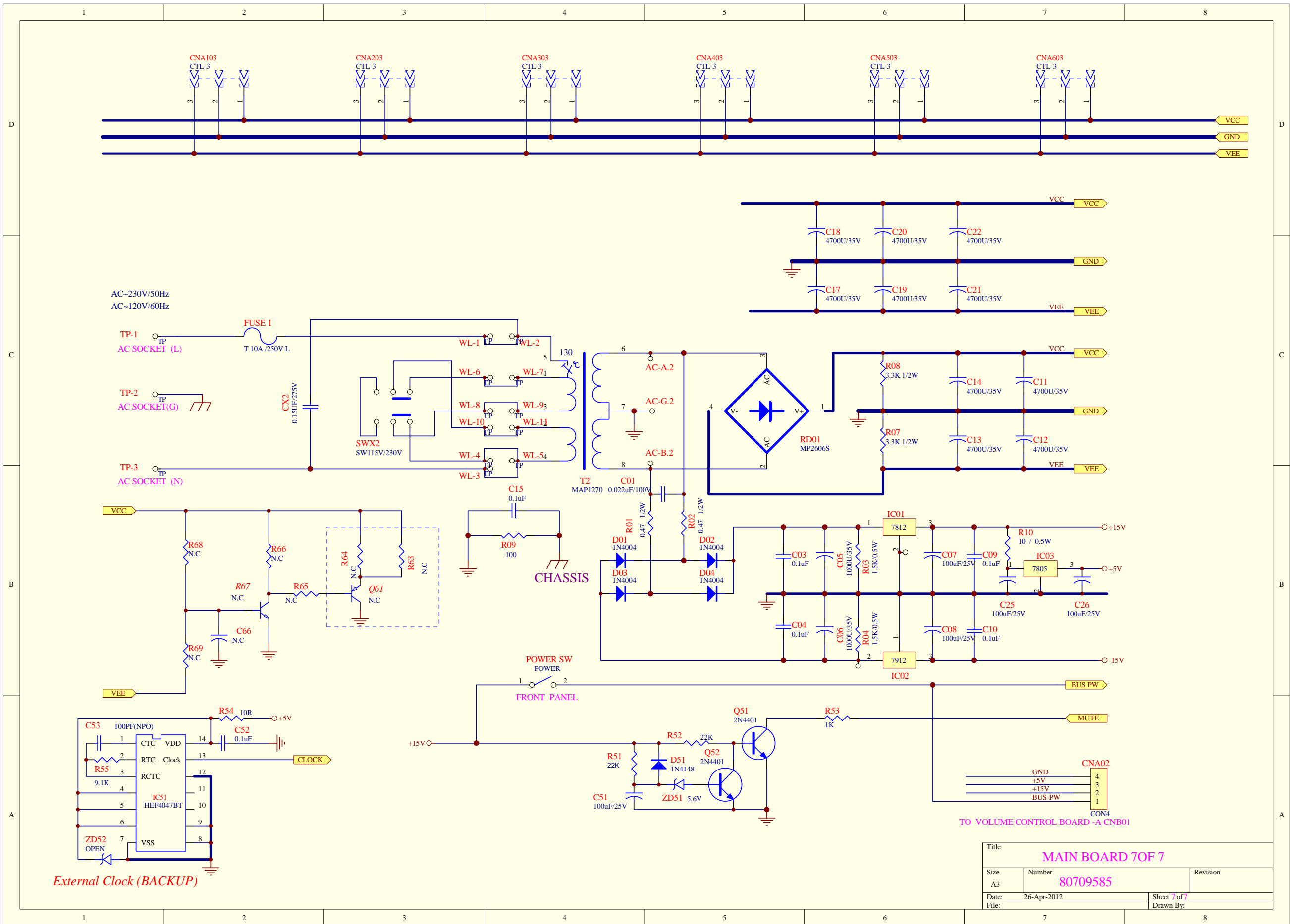
Title			MAIN BOARD 4OF7		
Size	Number	Revision			
A4	80709585				
Date:	26-Apr-2012	Sheet 4 of 7		Drawn By: LHH	
File:					



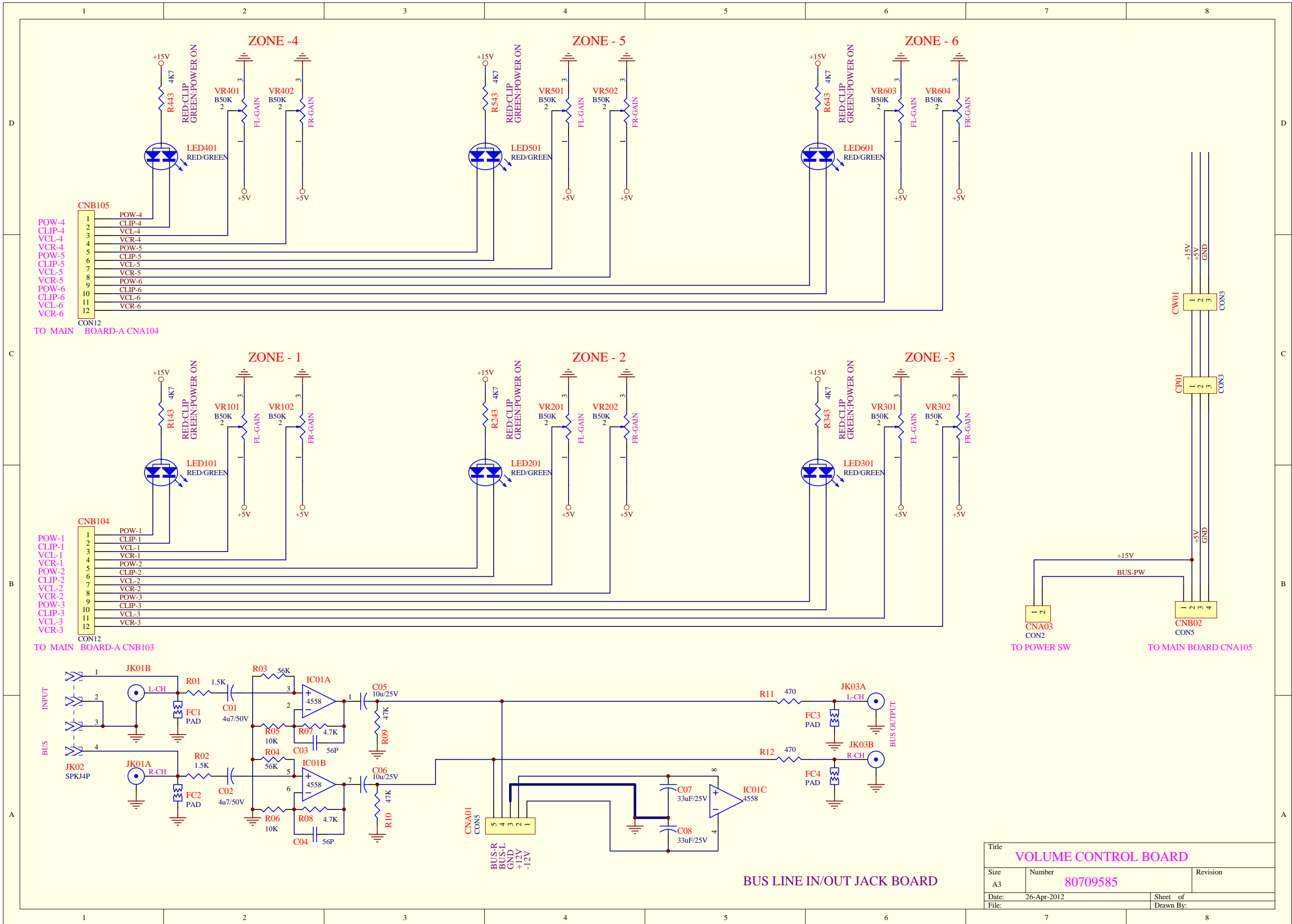
Title		
<b>MAIN BOARD 50F 7</b>		
Size	Number	Revision
A4	<b>80709585</b>	
Date:	26-Apr-2012	Sheet 5 of 7
File:		Drawn By: LHH



Title		
<b>MAIN BOARD 60F 7</b>		
Size	Number	Revision
A4	<b>80709585</b>	
Date:	26-Apr-2012	Sheet 6 of 7
File:		Drawn By: LHH



Title		
<b>MAIN BOARD 7OF 7</b>		
Size	Number	Revision
A3	80709585	
Date:	26-Apr-2012	Sheet 7 of 7
File:		Drawn By:

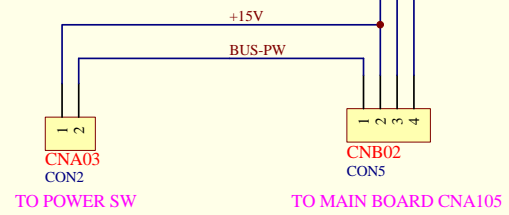


- CNB105
- 1 POW-4
  - 2 CLIP-4
  - 3 VCL-4
  - 4 VCR-4
  - 5 POW-5
  - 6 CLIP-5
  - 7 VCL-5
  - 8 VCR-5
  - 9 POW-6
  - 10 CLIP-6
  - 11 VCL-6
  - 12 VCR-6

CON12 TO MAIN BOARD-A CNA104

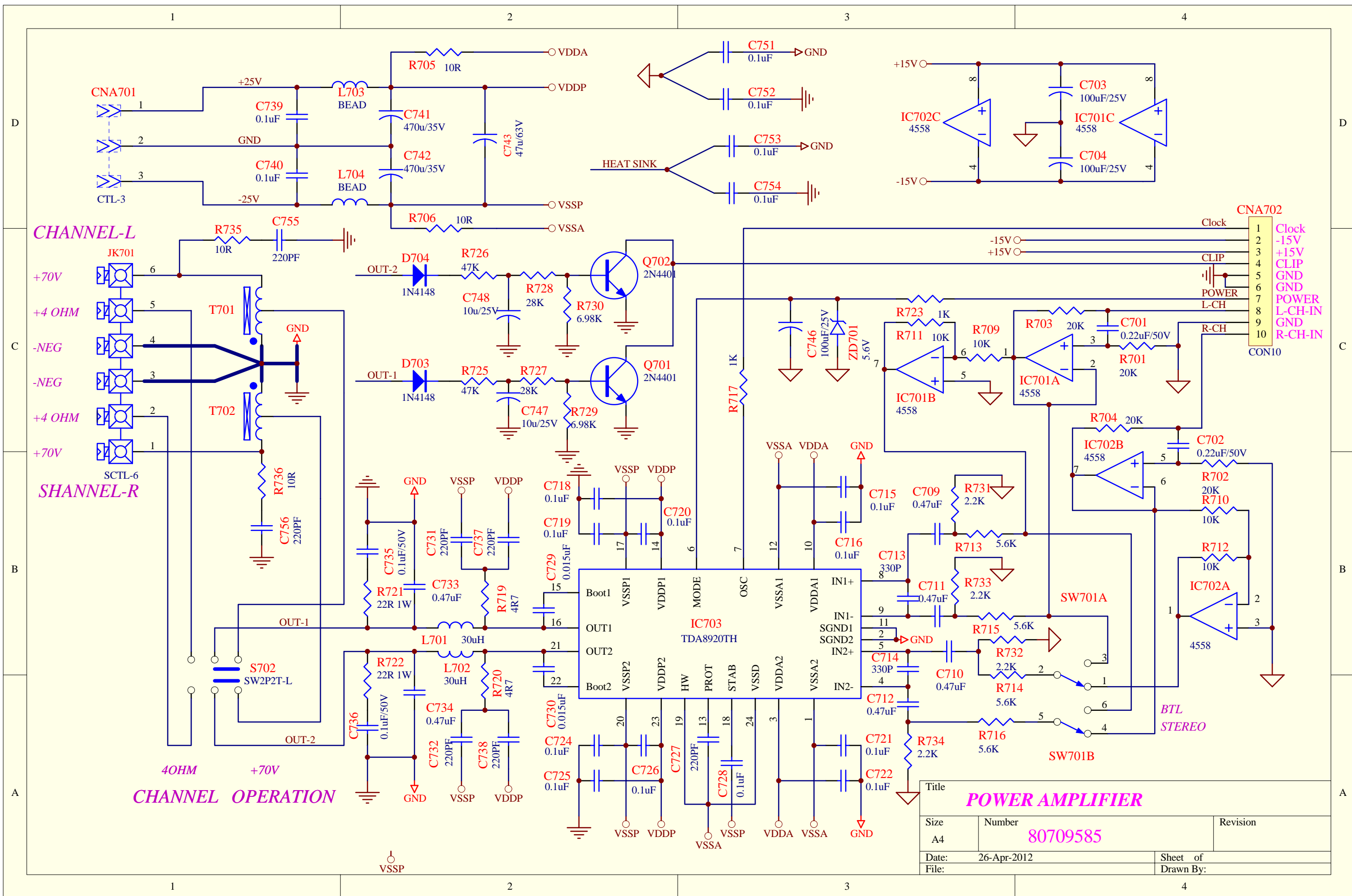
- CNB104
- 1 POW-1
  - 2 CLIP-1
  - 3 VCL-1
  - 4 VCR-1
  - 5 POW-2
  - 6 CLIP-2
  - 7 VCL-2
  - 8 VCR-2
  - 9 POW-3
  - 10 CLIP-3
  - 11 VCL-3
  - 12 VCR-3

CON12 TO MAIN BOARD-A CNB103



Title		
<b>VOLUME CONTROL BOARD</b>		
Size	Number	Revision
A3	80709585	
Date:	26-Apr-2012	Sheet of
File:		Drawn By:

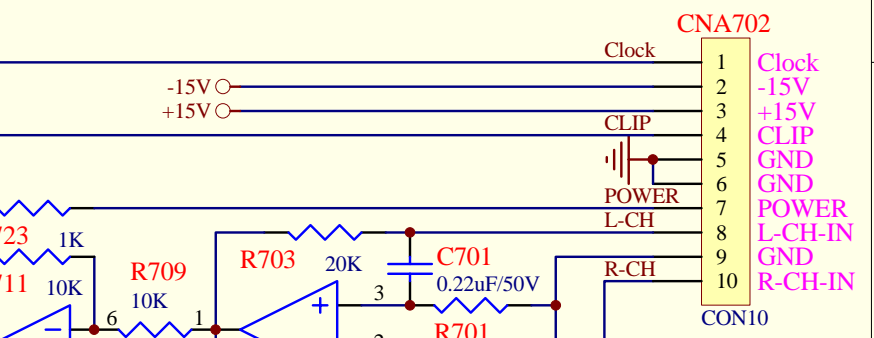




**CHANNEL-L**

+70V  
+4 OHM  
-NEG  
-NEG  
+4 OHM  
+70V  
SCTL-6  
**SHANNEL-R**

40OHM +70V  
**CHANNEL OPERATION**



Title		
Size	Number	Revision
A4	80709585	
Date:	26-Apr-2012	Sheet of
File:		Drawn By: