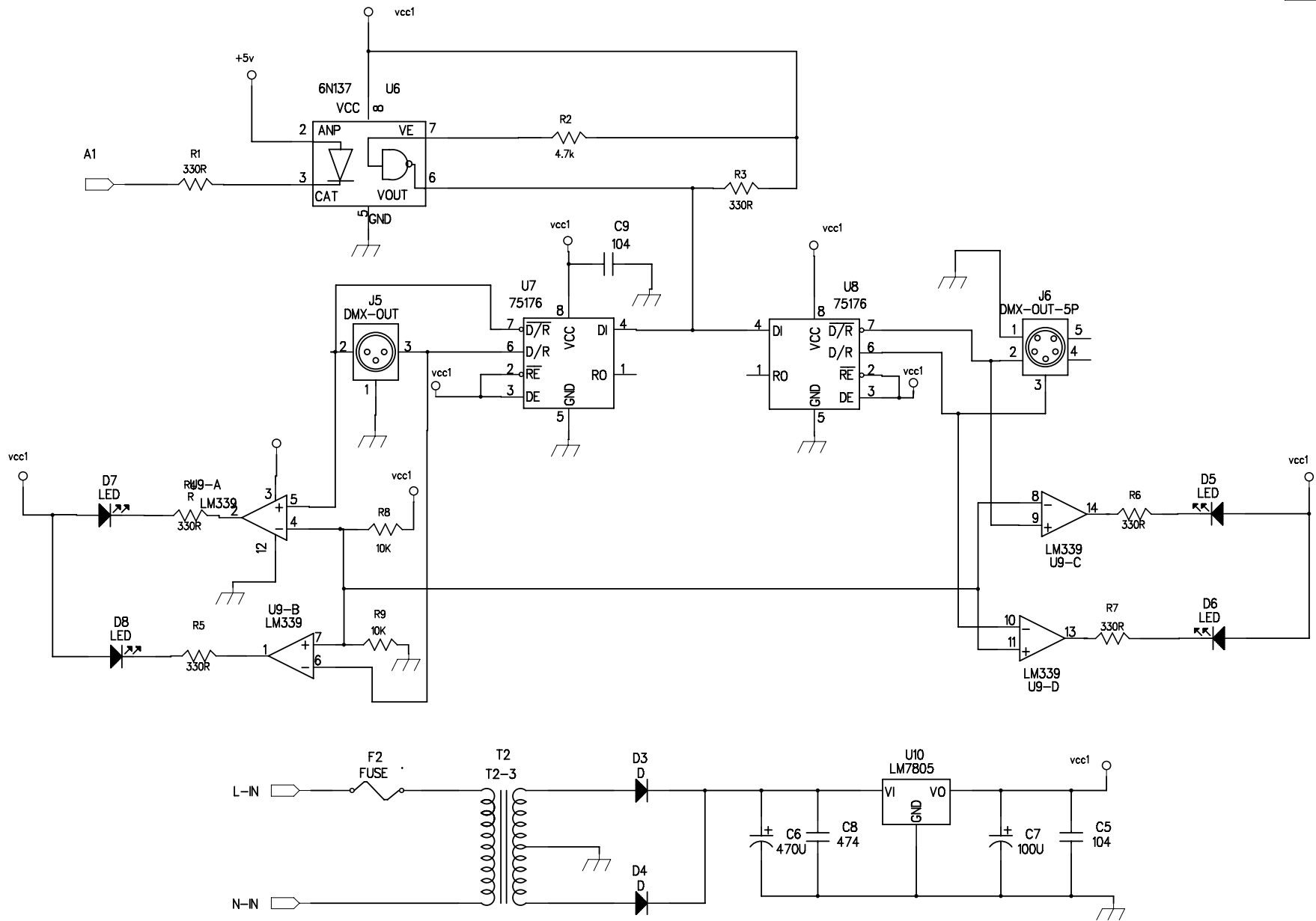
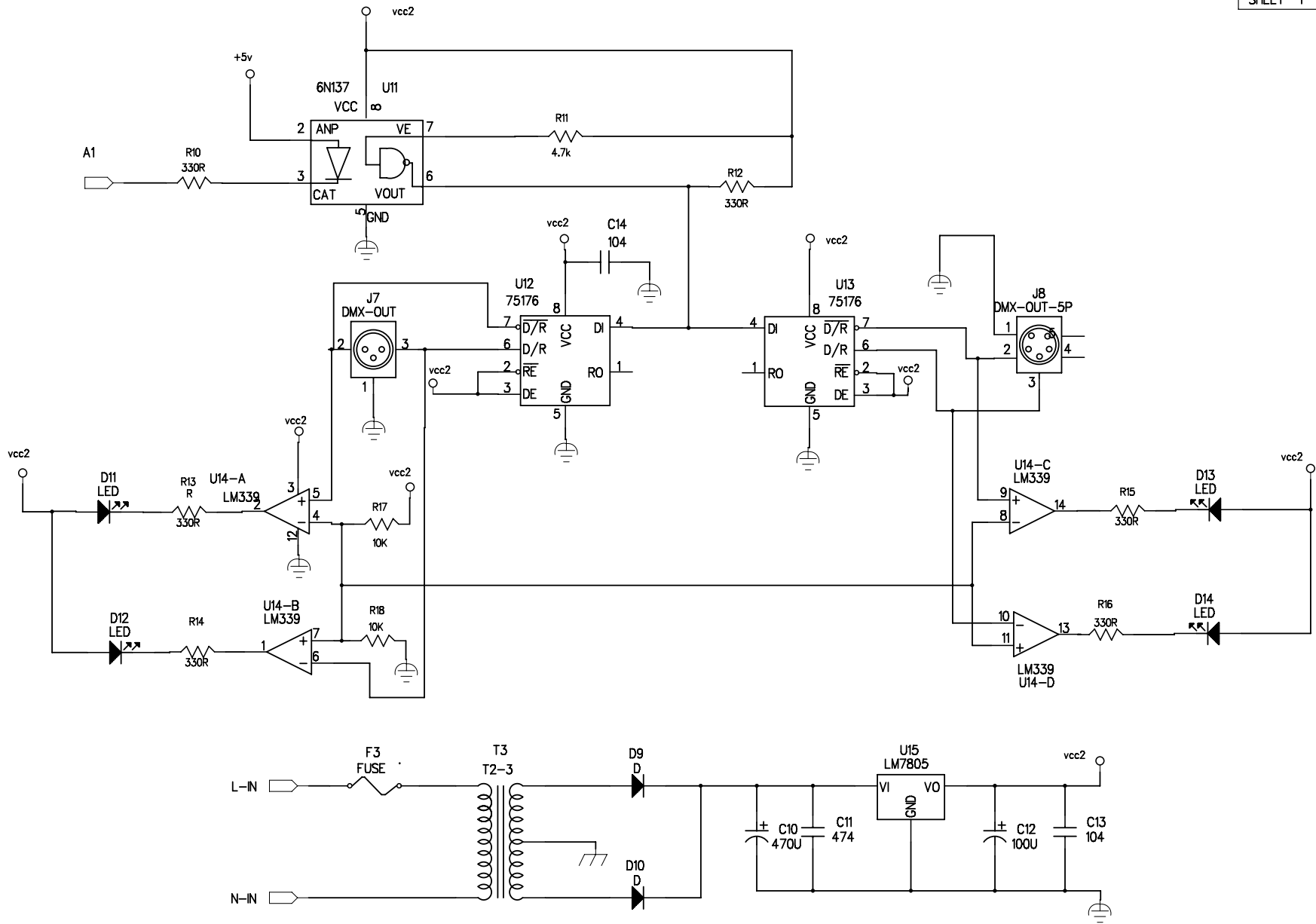


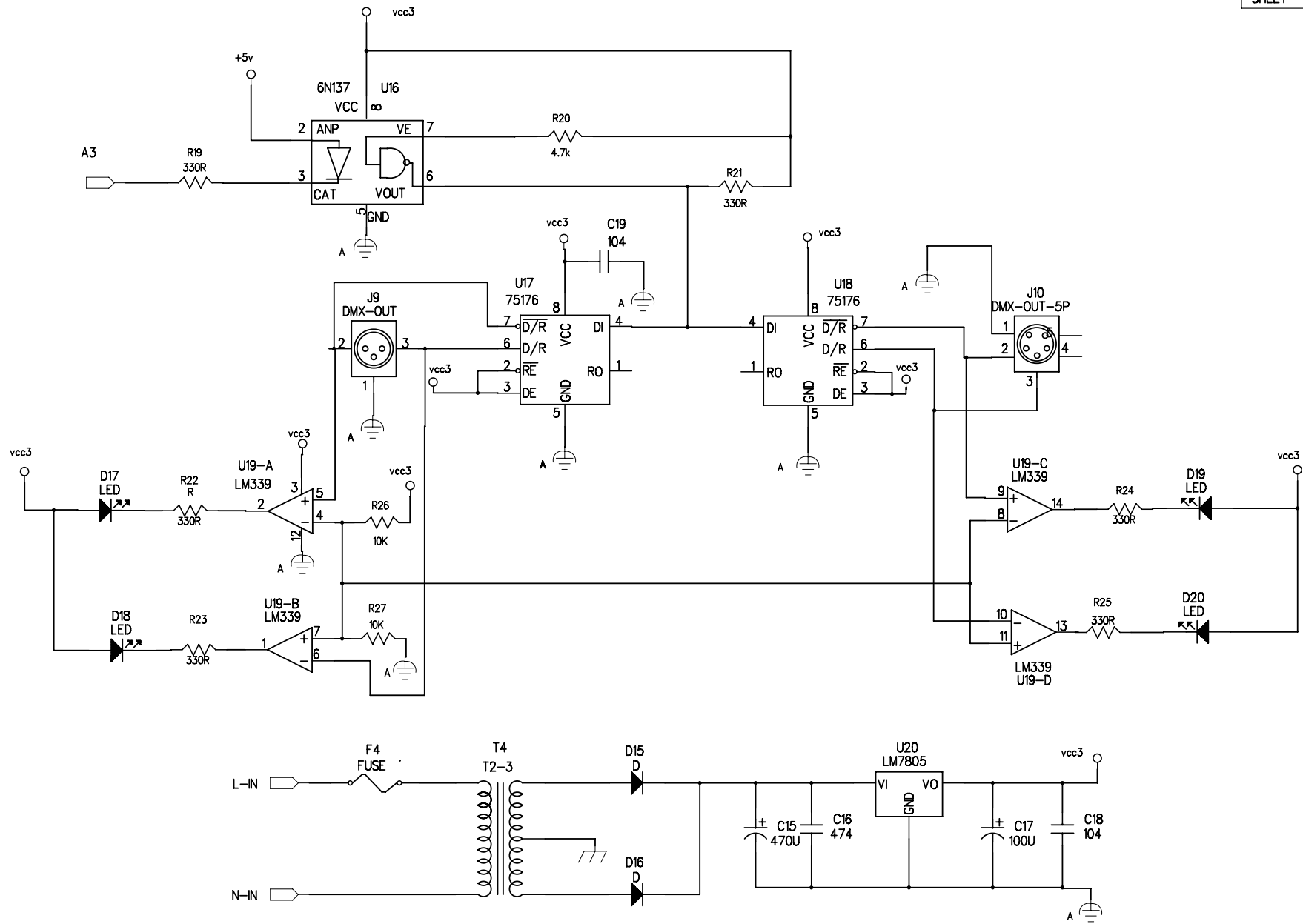
TITLE:	
NUMBER:	REV: 1.0
NAME: BS-403.SCH	Draw:
DATE: 2005/03/03	VERIFY:



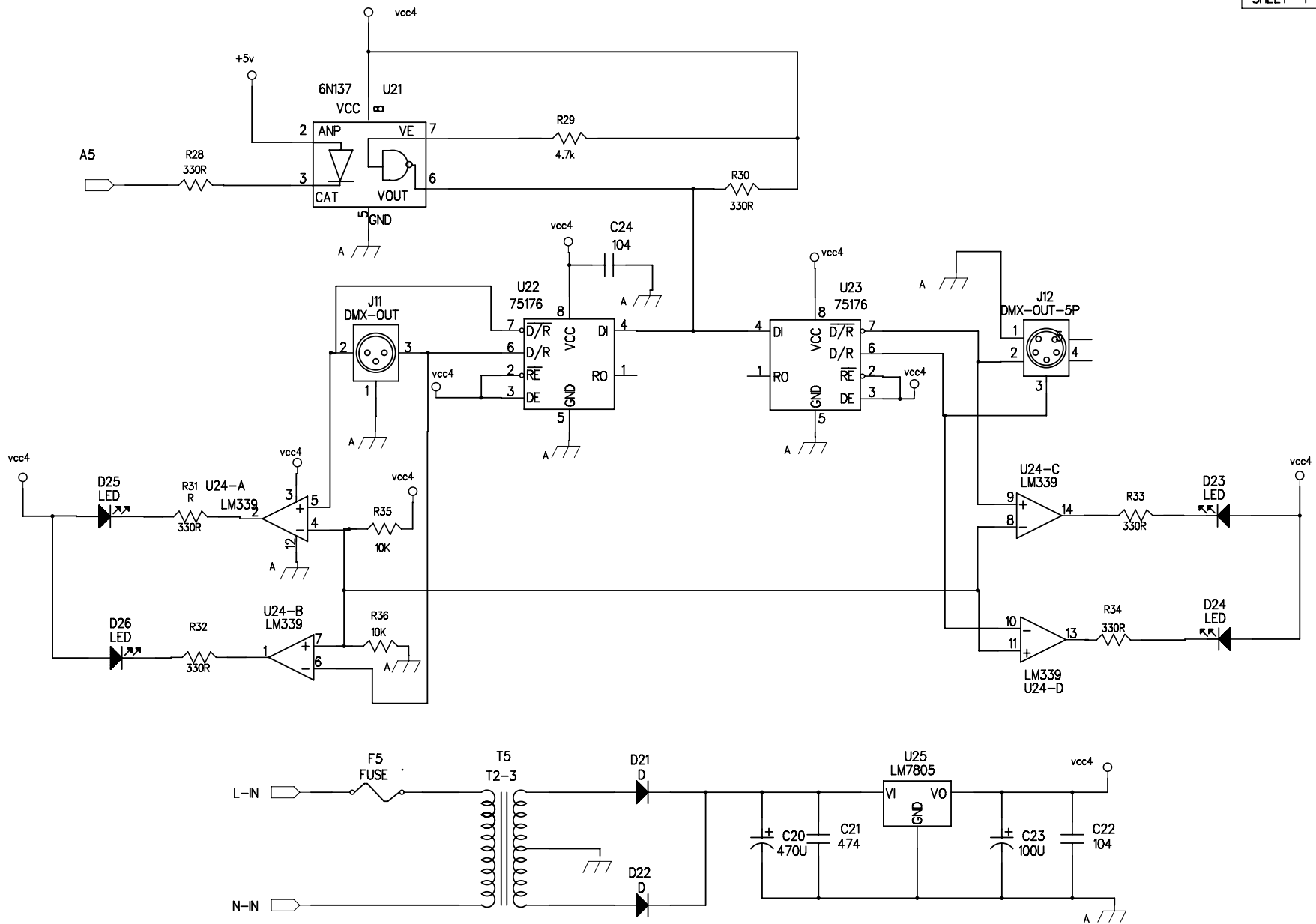
TITLE:	
NUMBER:	REV: 1.0
NAME: BS-403.SCH	Draw:
DATE: 2005/03/03	VERIFY:



TITLE:	
NUMBER:	REV: 10
NAME: BS-403.SCH	Draw:
DATE: 2005/03/03	VERIFY:



TITLE:	
NUMBER:	REV: 1.0
NAME: BS-403.SCH	Draw:
DATE: 2005/03/03	VERIFY:



TITLE:	
NUMBER:	REV: 1.0
NAME: BS-403.SCH	Draw:
DATE: 2005/03/03	VERIFY: