

# eurolite

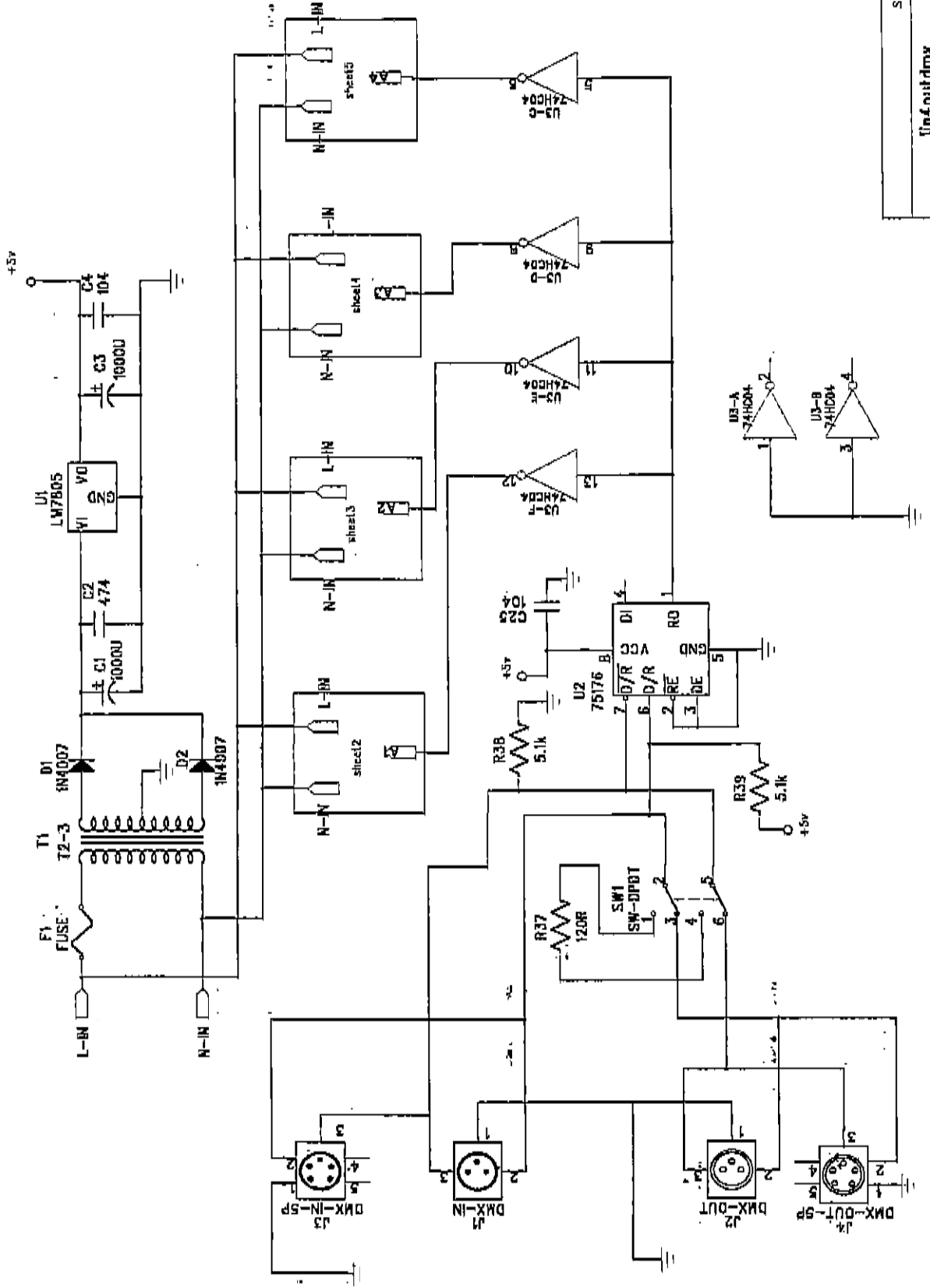
DMX Split 4  
4-fold splitter

Service-manual

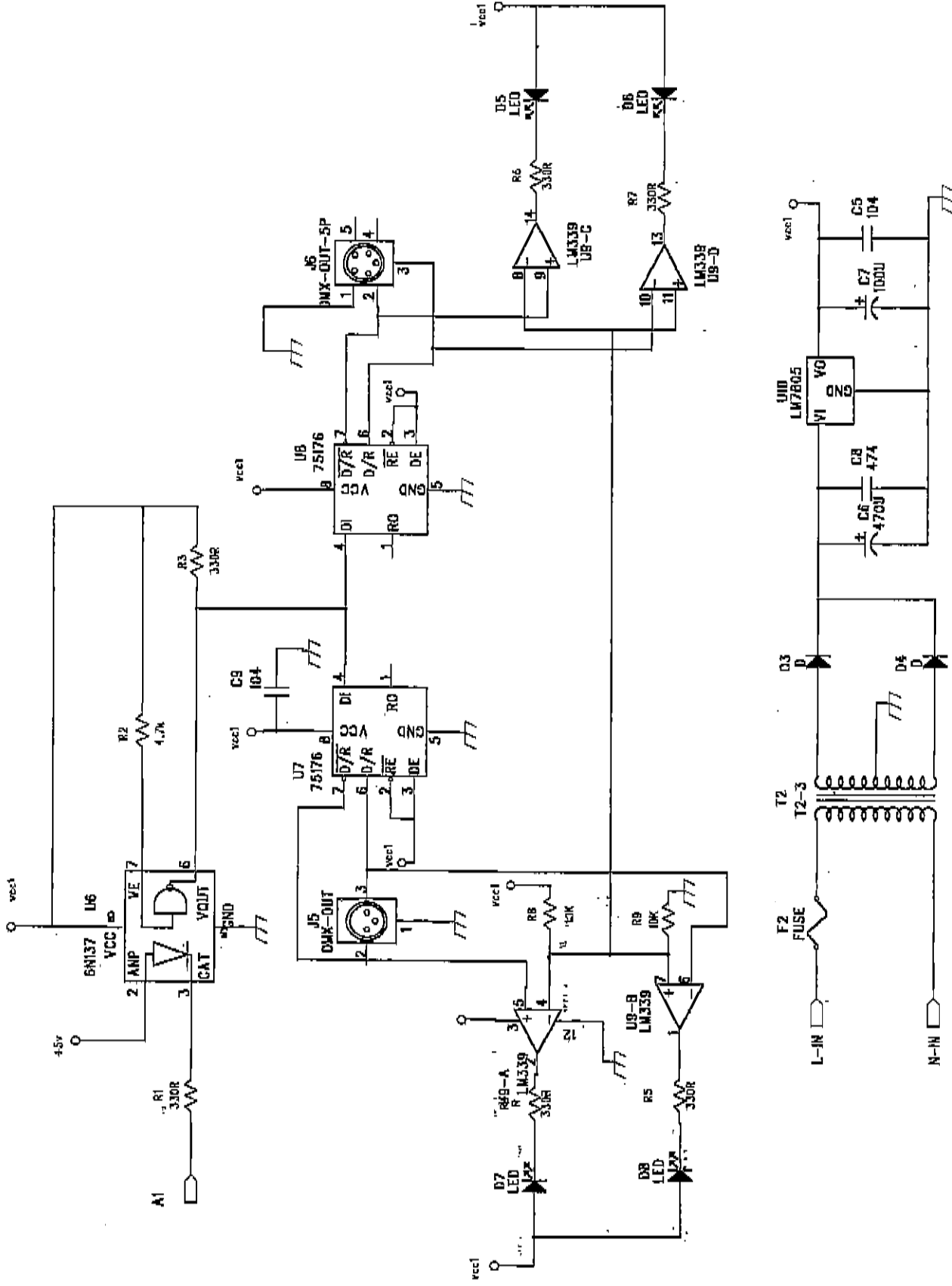
Serviceunterlagen

Documents techniques

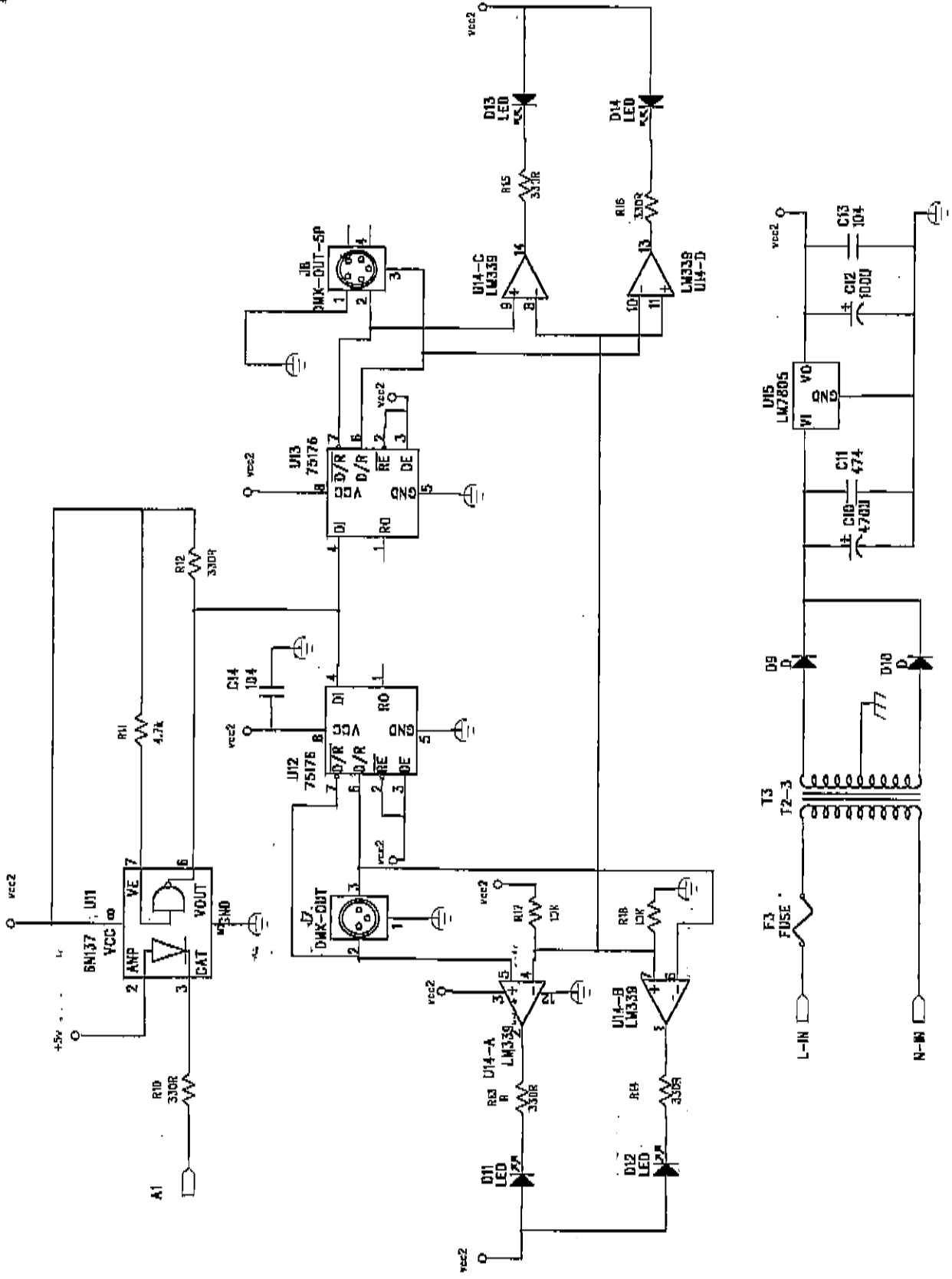
Documentos de servicio



SRD-13E	
NAME: In4outdmx	REV: FRD:
DESIGN: [Signature]	HOW: NEXT:
VER: Y:	APPROVE: [Signature]
DATE: AUG 02 2002	8.2

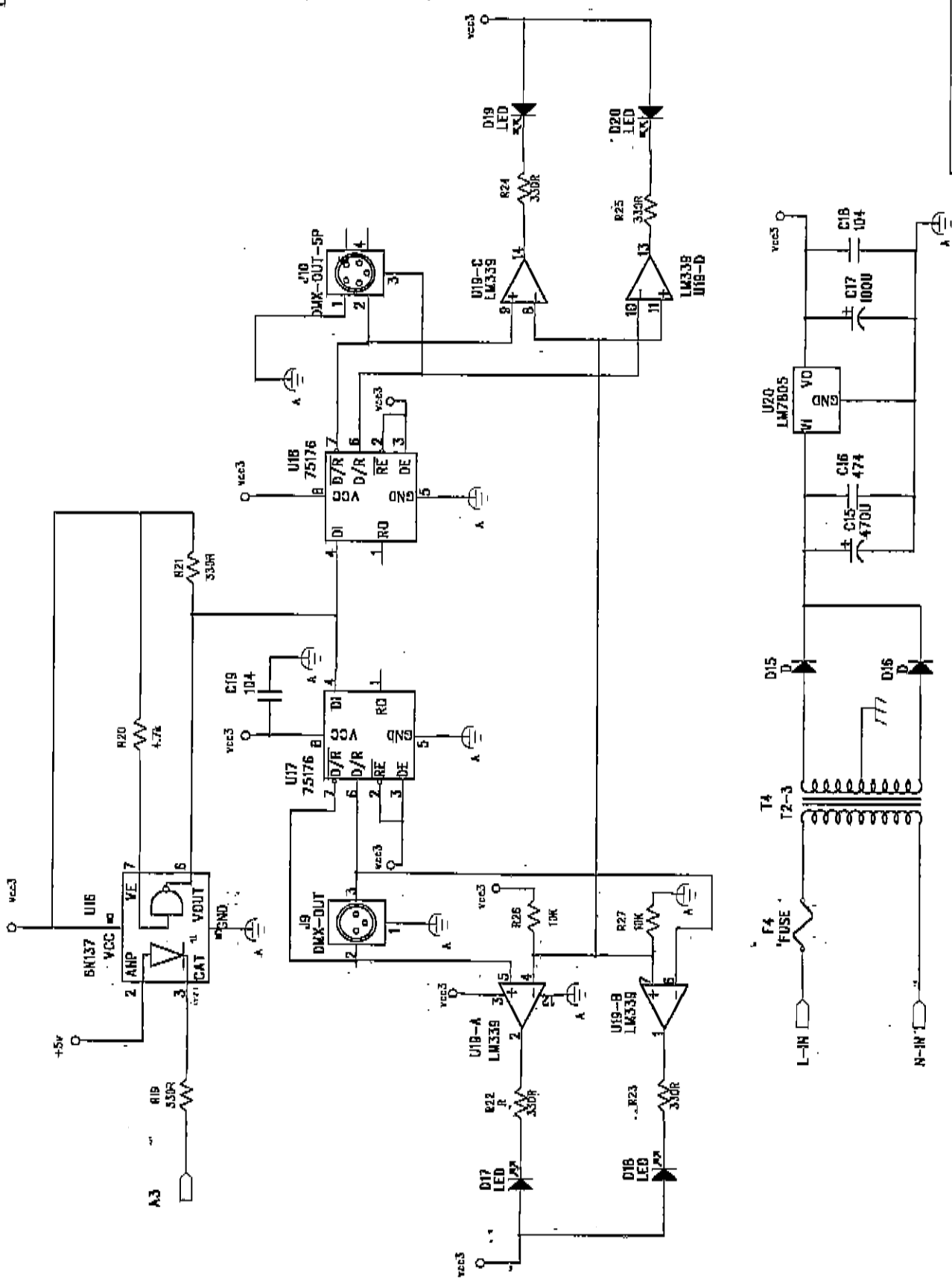


SRC-143E	
NAME: Jim4outdmx	REV: FRD:
DESIGN: [Signature]	NOV: NKT:
APPROVE: [Signature]	DATE: 2002-08-27
VERITY: [Signature]	DRAWN: [Signature]



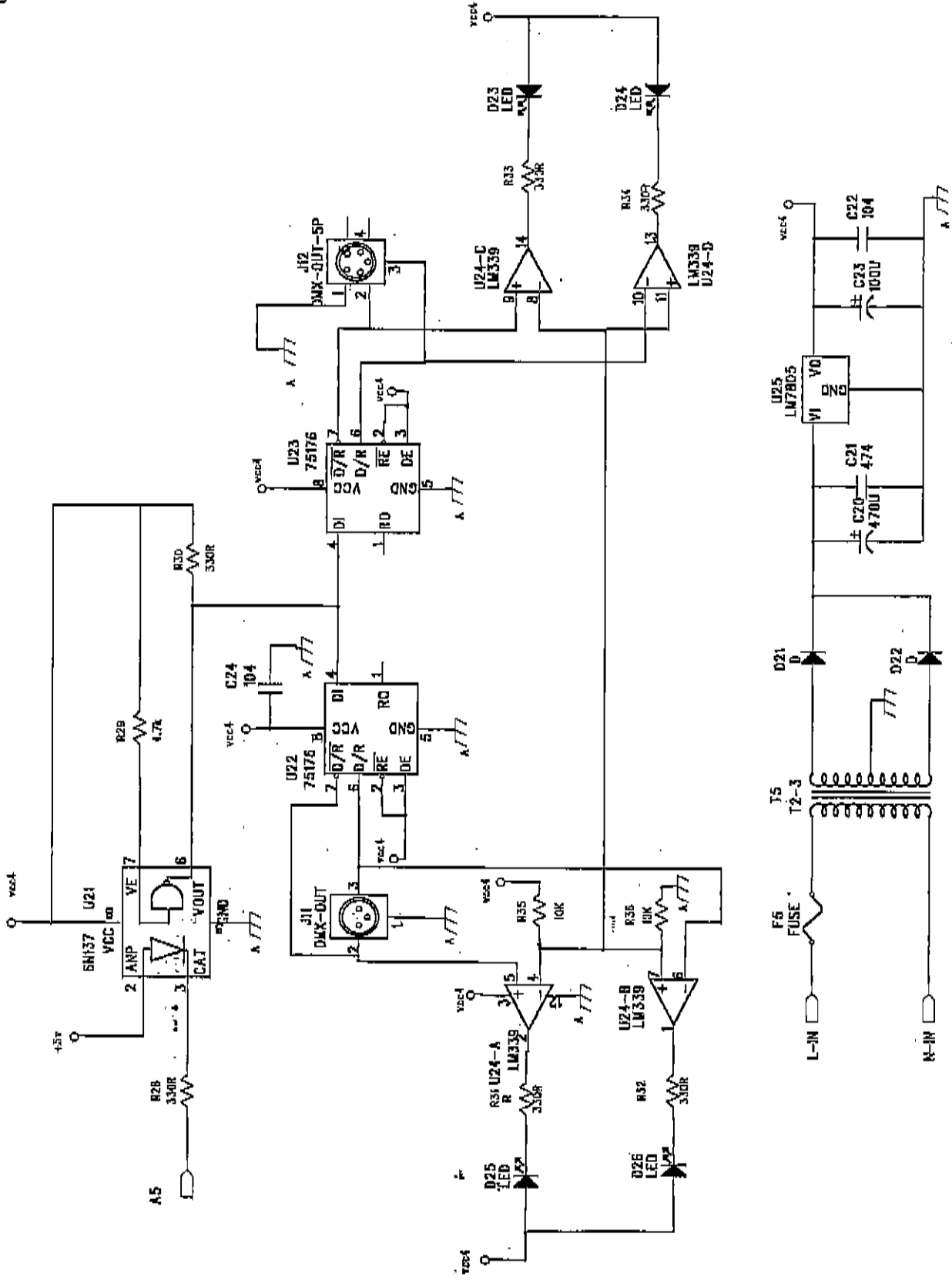
NAME:	11n4out dmx	REV:	TRD
DESIGNER:	[Signature]	APPROVED:	MDR
VERIFY:	[Signature]	DATE:	2002/8/2

src-143e



NAME:	DESIGN:	VERIFY:	DATE:
U19-D	U19-D	U19-D	U19-D
U19-D	U19-D	U19-D	U19-D
U19-D	U19-D	U19-D	U19-D

REV:	FR1
NDW:	NDW
APPROVE:	APPROVE
DATE:	DATE



NAME: Jim4out dmx	REV: FRG
DESIGN: [Signature]	KDR: [Signature]
APPROVE: [Signature]	DATE: 2/10/02
VERFF: [Signature]	DATE: 2/10/02

SRD-143E