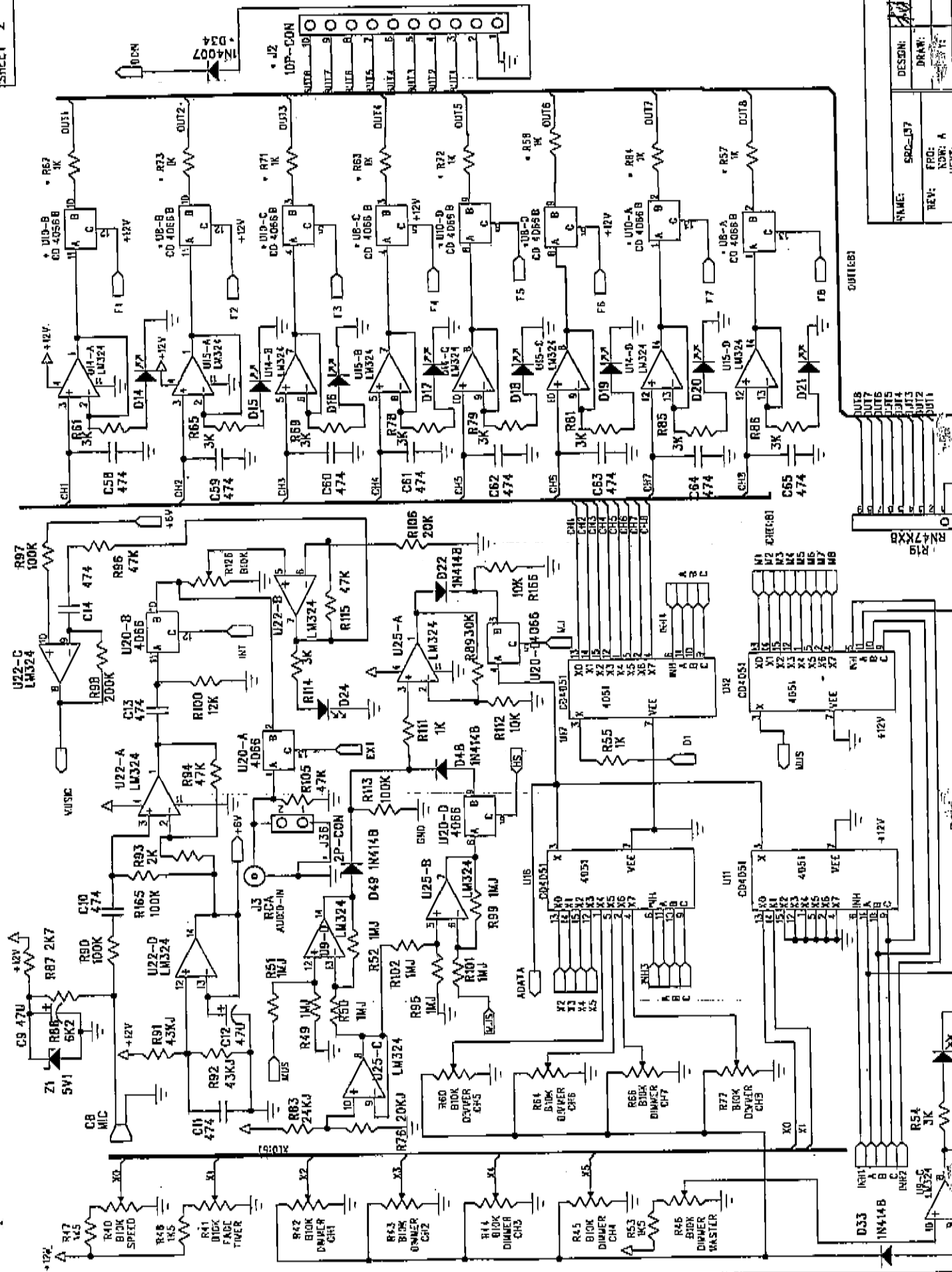


NOTE:
 * = asterisk -- if enable signal output is not required.
 The parts should be deleted from the item marked "x".

NAME:	DESIGN:
REV:	DRAWN:
FRO:	VERIFY:
NOV: A	APPROVE:
DATE:	



NAME:	SPC-137
DESIGN:	
REV:	FRQ: A RDR: A REKT:
DATE:	AUG-5-1999
APPROVE:	

