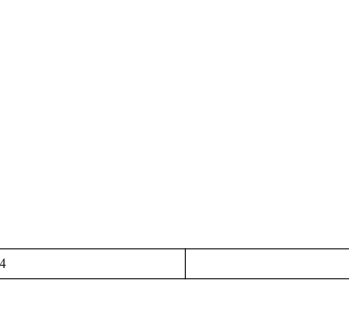
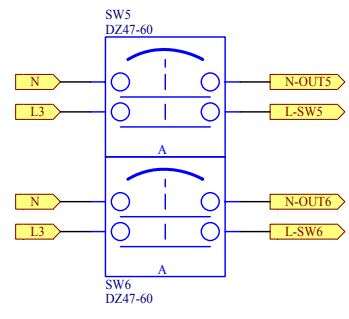
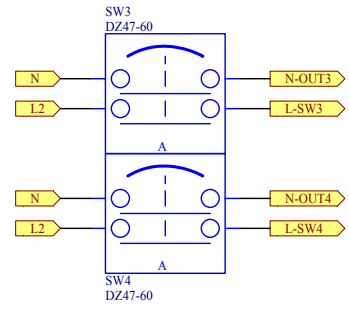
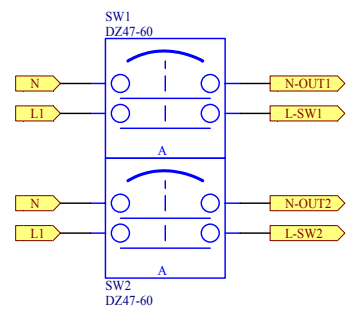
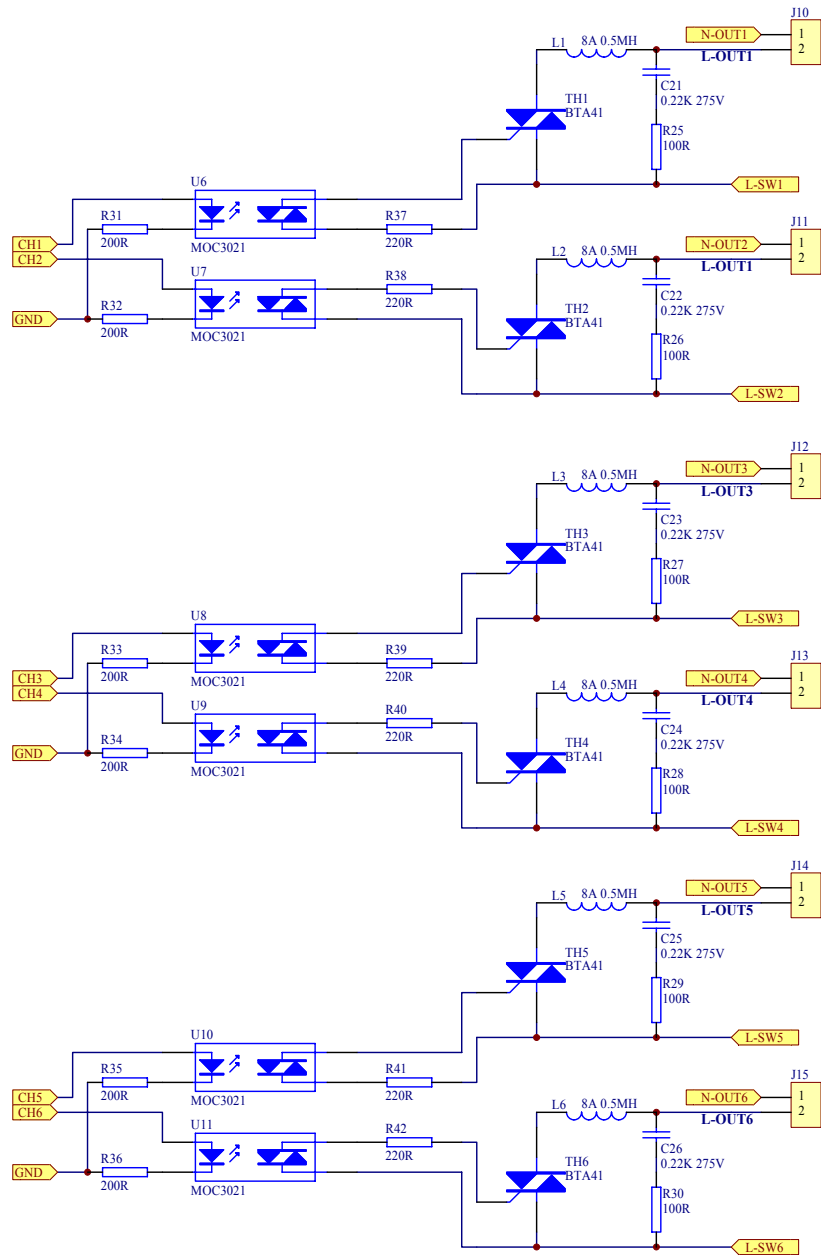
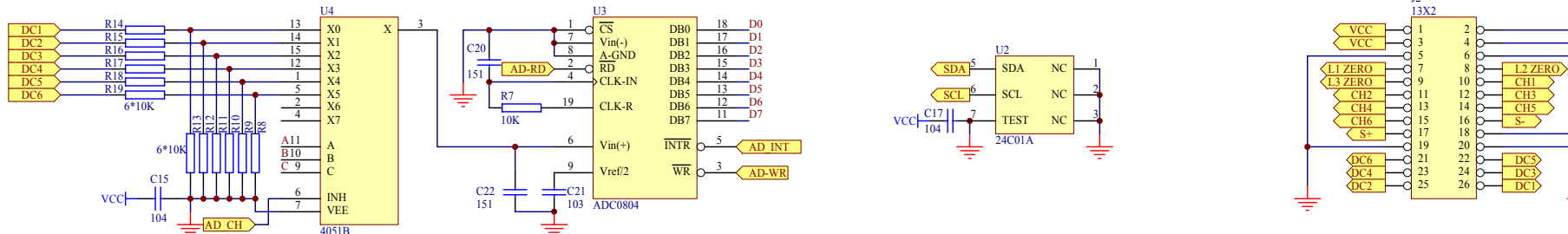
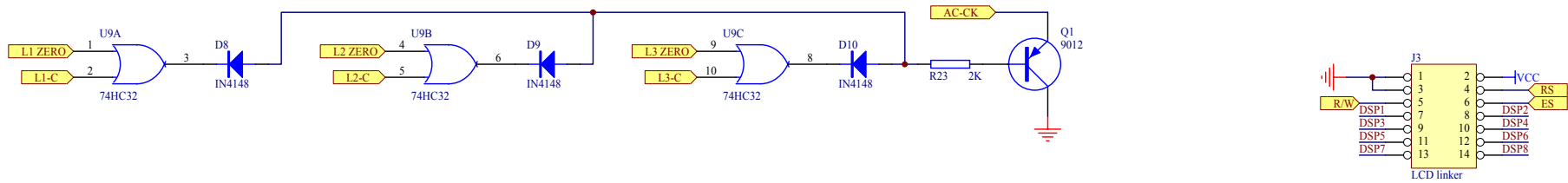
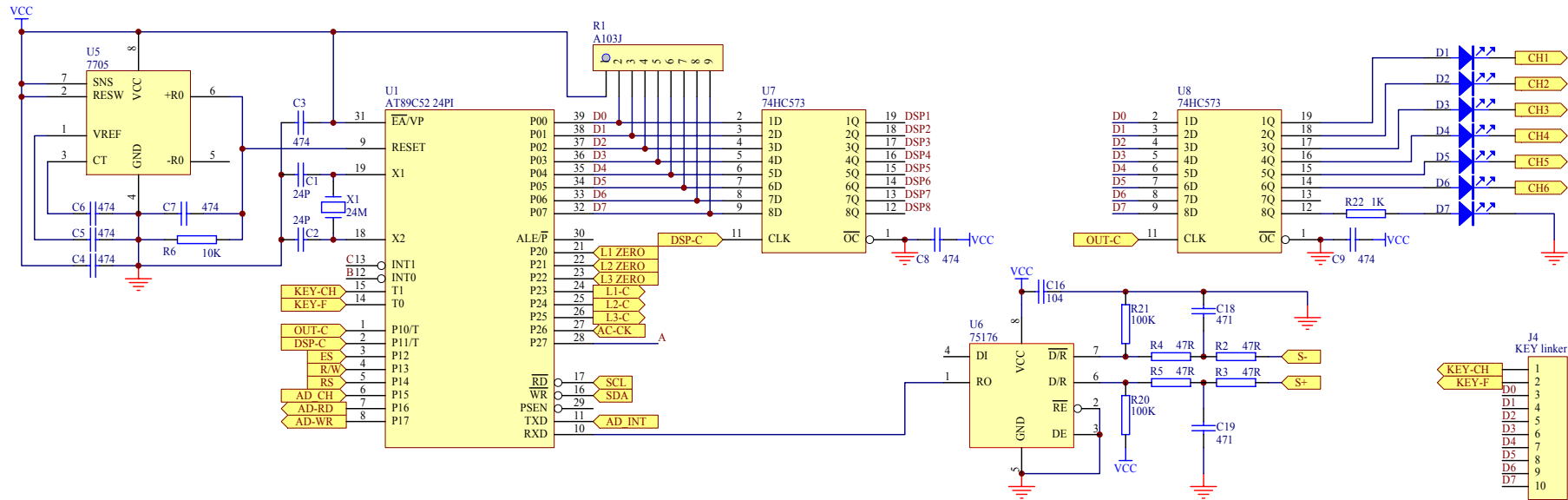


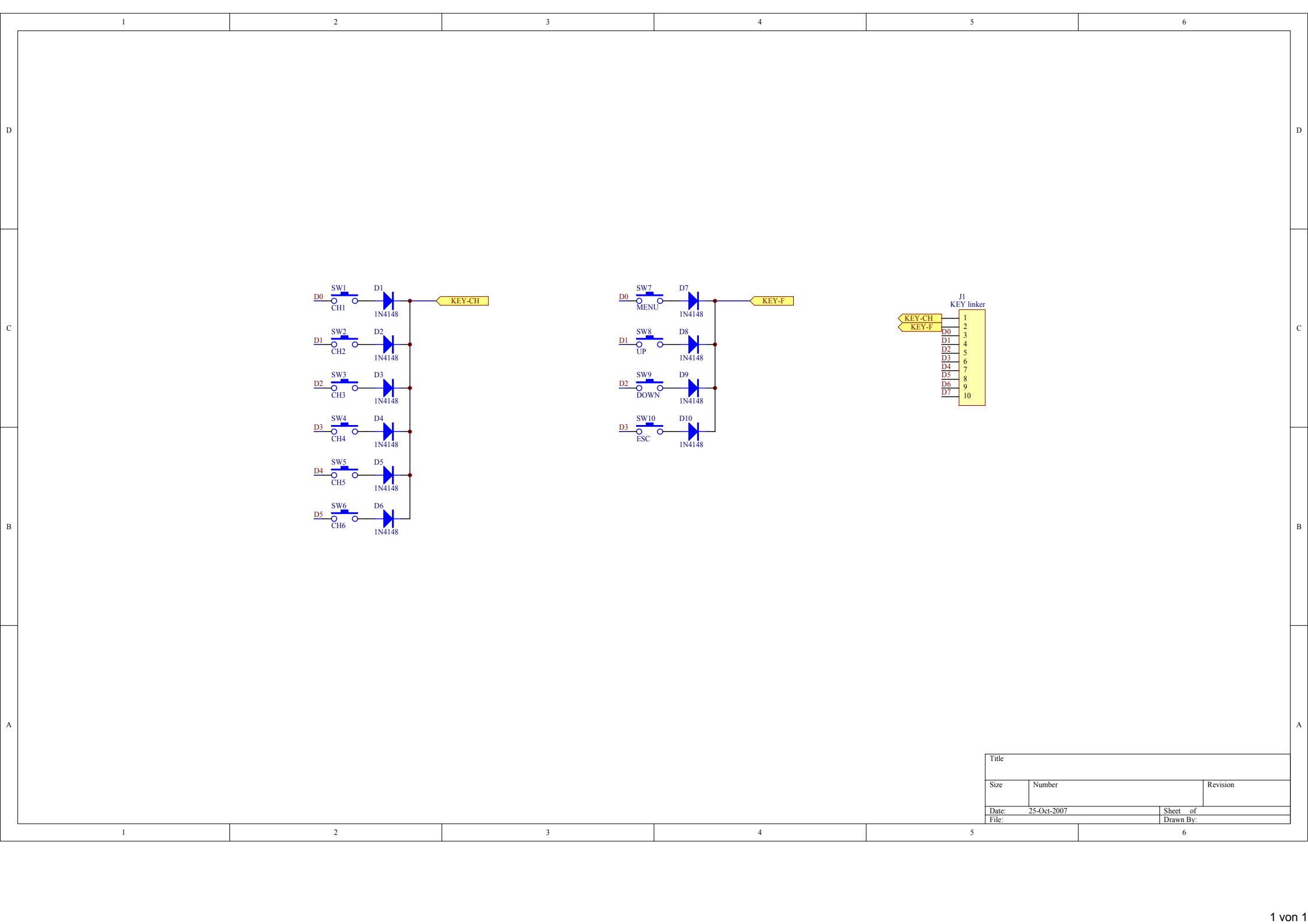
|       |             |           |
|-------|-------------|-----------|
| Title |             |           |
| Size  | Number      | Revision  |
| Date: | 25-Oct-2007 | Sheet of  |
| File: |             | Drawn By: |



|       |             |           |
|-------|-------------|-----------|
| Title |             |           |
| Size  | Number      | Revision  |
| Date: | 25-Oct-2007 | Sheet of  |
| File: |             | Drawn By: |



|       |             |           |
|-------|-------------|-----------|
| Title |             |           |
| Size  | Number      | Revision  |
| Date: | 25-Oct-2007 | Sheet of  |
| File: |             | Drawn By: |



|       |             |           |
|-------|-------------|-----------|
| Title |             |           |
| Size  | Number      | Revision  |
| Date: | 25-Oct-2007 | Sheet of  |
| File: |             | Drawn By: |