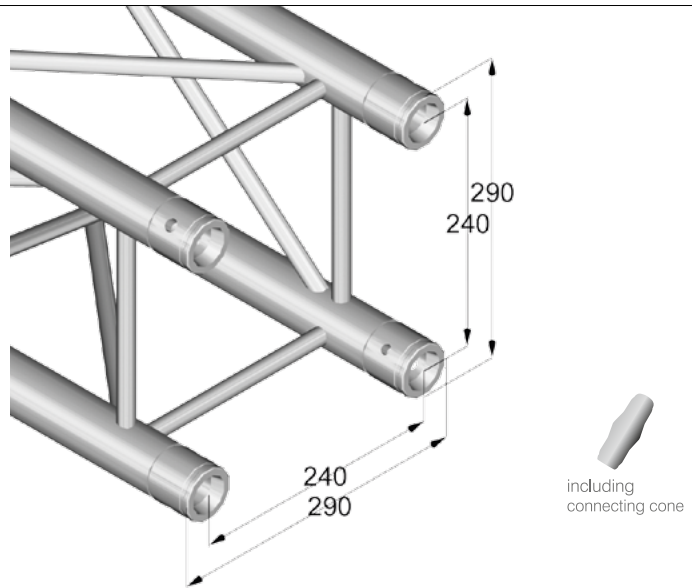


Materials used:

Alloy EN-AW 6082 T6 (AlSi1MgMn)
 Main chords 50 x 2 mm
 Braces 20 x 2 mm
 Accessory/truss 4 x connecting cone, 8x pivot, 8x pin
 Item No. 6030199H

Load table QL-ET34:				
Span (m)	Point load (kg)	Deflection (mm)	UDL (kg/m)	Deflection (mm)
2	1919	2,6	1422	2,4
4	987	11,0	493	13,7
6	670	25,6	223	31,8
8	507	46,9	127	58,0
10	394	73,6	79	90,5
12	308	103,6	51	126,4

Maximum system-length: 12 meters



- No. 60306749.....QL-ET34-210
- No. 6030674B.....QL-ET34-290
- No. 6030674A.....QL-ET34-300
- No. 60306752.....QL-ET34-500
- No. 6030674D.....QL-ET34-710
- No. 60306753.....QL-ET34-800
- No. 60306754.....QL-ET34-1000
- No. 60306756.....QL-ET34-1500
- No. 60306758.....QL-ET34-2000
- No. 60306760.....QL-ET34-2500
- No. 60306762.....QL-ET34-3000
- No. 60306764.....QL-ET34-3500
- No. 60306766.....QL-ET34-4000
- No. 60306768.....QL-ET34-4500
- No. 60306770.....QL-ET34-5000

ALUTRUSS QUADLOCK QL-ET34 4-way cross beam

Quadlock QL-ET

No. 60306772
ALUTRUSS QUADLOCK QL-ET34 C-19 2-way-corner 45°

No. 60306775
ALUTRUSS QUADLOCK QL-ET34 C-20 2-way-corner 60°

No. 60306780
ALUTRUSS QUADLOCK QL-ET34 C-21 2-way-corner 90°

No. 60306785
ALUTRUSS QUADLOCK QL-ET34 C-22 2-Way-Corner 120°

No. 60306790
ALUTRUSS QUADLOCK QL-ET34 C-23 2-Way-Corner 135°

No. 60306795
ALUTRUSS QUADLOCK QL-ET34 C-30 3-Way-Corner 90°