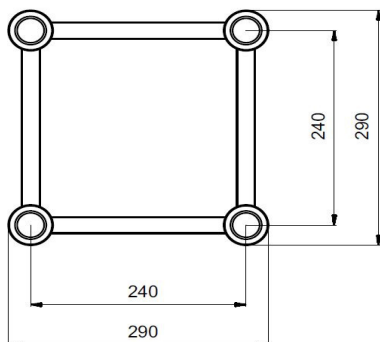


# alutruss QUADLOCK QL-ET34 4-Way Cross Beam



Size in millimeters

System components (straights):		
Designation	No.	Weight (kg)
QUADLOCK QL-ET34- 210	60306749	2,5
QUADLOCK QL-ET34- 250	6030674B	2,6
QUADLOCK QL-ET34- 300	6030674A	2,7
QUADLOCK QL-ET34- 500	60306752	3,9
QUADLOCK QL-ET34- 710	6030674D	4,6
QUADLOCK QL-ET34- 800	60306753	5,1
QUADLOCK QL-ET34- 1000	60306754	6,3
QUADLOCK QL-ET34- 1500	60306756	8,4
QUADLOCK QL-ET34- 2000	60306758	10,3
QUADLOCK QL-ET34- 2500	60306760	11,0
QUADLOCK QL-ET34- 3000	60306762	13,3
QUADLOCK QL-ET34- 3500	60306764	16,4
QUADLOCK QL-ET34- 4000	60306766	18,0
QUADLOCK QL-ET34- 4500	60306768	20,9
QUADLOCK QL-ET34- 5000	60306770	22,7

#### Material used:

Alloy	EN-AW 6082 T6 (AlSi1MgMn)
Main chords	50 x 2 mm
Braces	20 x 2 mm
Accessory/truss	4x connecting cone, 8x pivot, 8x pin
Item No.	6030199H

Load table QUADLOCK QL-ET34:				
Span (m)	Point load (kg)	Deflection (mm)	UDL (kg/m)	Deflection (mm)
2	1919	2,6	1422	2,4
4	987	11,0	493	13,7
6	670	25,6	223	31,8
8	507	46,9	127	58,0
10	394	73,6	79	90,5
12	308	103,6	51	126,4

**Maximum system length: 12 meters**

The load capacities given in this load table are based on calculations in accordance with EUROCODE 9 and do not include the net weight of the product. This load table is valid only for linear segments of the cross beam system ALUTRUS QUADLOCK QL-ET34 4-Way Cross Beam.

This product has been designed for static loads only. No dynamic loads. If dynamic loads are to be attached to the system, the user has to provide appropriate proof.

Loads are to be attached only to the intersections of the braces and main chords. That applies to loads distributed over the carrier length too.

The cross beams and connectors must be checked for damages and deformations before each use.

For BS and ANSI compliance multiply the given capacities with 0.85.

This product is subject to production control by TÜV Nord.

