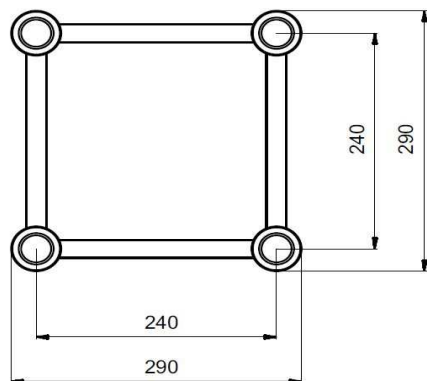


# alutruss QUADLOCK 6082 4-Way Cross Beam



Size in millimeters

System components (straights):		
Designation	No.	Weight (kg)
QUADLOCK 6082- 210	6030649A	2,8
QUADLOCK 6082- 290	6030649C	3,2
QUADLOCK 6082- 500	60306500	4,1
QUADLOCK 6082- 710	60306501	5,0
QUADLOCK 6082- 750	60306502	5,2
QUADLOCK 6082- 875	60306503	5,7
QUADLOCK 6082- 1000	60306505	6,2
QUADLOCK 6082- 1250	60306506	7,3
QUADLOCK 6082- 1500	60306508	8,4
QUADLOCK 6082- 2000	60306510	10,6
QUADLOCK 6082- 2500	60306515	12,7
QUADLOCK 6082- 3000	60306520	14,9
QUADLOCK 6082- 3500	60306522	17,1
QUADLOCK 6082- 4000	60306525	19,2
QUADLOCK 6082- 4500	60306527	21,4
QUADLOCK 6082- 5000	60306530	23,5

#### Material used:

Alloy	EN-AW 6082 T6 (AlSi1MgMn)
Main chords	50 x 2 mm
Braces	16 x 2 mm
Accessory/truss	4x connecting cone, 8x pivot, 8x pin
Item No.	60302895

Load tabelle QUADLOCK 6082:				
Span (m)	Point load (kg)	Deflection (mm)	UDL (kg/m)	Deflection (mm)
2	1664	2,6	1655	3,2
4	832	10,3	416	12,9
6	555	23,3	185	29,1
8	416	41,4	104	51,7
10	332	64,6	66	80,8
12	277	93,0	46	116,3
14	238	126,6	34	158,3
16	208	165,4	27	206,8

**Maximum system length: 16 meters**

The load capacities given in this load table are based on calculations in accordance with EUROCODE 9 and do not include the net weight of the product. This load table is valid only for linear segments of the cross beam system ALUTRUS QUADLOCK 6082 4-Way Cross Beam.

This product has been designed for static loads only. No dynamic loads. If dynamic loads are to be attached to the system, the user has to provide appropriate proof.

Loads are to be attached only to the intersections of the braces and main chords. That applies to loads distributed over the carrier length too.

The cross beams and connectors must be checked for damages and deformations before each use.

For BS and ANSI compliance multiply the given capacities with 0.85.

