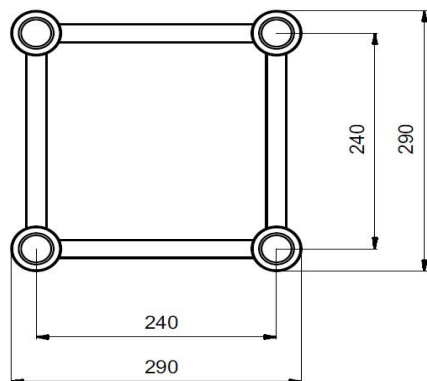


alutruSS TOWERTRUSS TQTR 4-Way Cross Beam



Size in millimeters

System components (straights):		
Designation	No.	Weight (kg)
TOWERTRUSS TQTR- 500	60304400	5,0
TOWERTRUSS TQTR- 1000	60304410	8,9
TOWERTRUSS TQTR- 2000	60304420	16,8
TOWERTRUSS TQTR- 2500	60304430	20,8
TOWERTRUSS TQTR- 3000	60304440	24,7
TOWERTRUSS TQTR- 4000	60304450	32,6
TOWERTRUSS TQTR- 5000	60306460	40,5

Material used:

Alloy	EN-AW 6082 T6 (AlSi1MgMn)
Main chords	50 x 4 mm
Braces	20 x 2 mm
Accessory/truss	4x Verbindungskonus, 8x Zapfen, 8x Splint
Item No.	60302895

Load table TOWERTRUSS TQTR:				
Span (m)	Point load (kg)	Deflection (mm)	UDL (kg/m)	Deflection (mm)
2	1664	1,4	1664	1,7
4	832	5,6	416	7,0
6	555	12,5	185	15,7
8	416	22,3	104	27,8
10	332	34,8	66	43,5
12	277	50,1	46	62,6
14	238	68,2	34	85,2
16	208	89,1	27	111,3

Maximum system length: 16 meters

The load capacities given in this load table are based on calculations in accordance with EUROCODE 9 and do not include the net weight of the product. This load table is valid only for linear segments of the cross beam system ALUTRUSS TOWERTRUSS TQTR 4-Way Cross Beam.

This product has been designed for static loads only. No dynamic loads. If dynamic loads are to be attached to the system, the user has to provide appropriate proof.

Loads are to be attached only to the intersections of the braces and main chords. That applies to loads distributed over the carrier length too.

The cross beams and connectors must be checked for damages and deformations before each use.

For BS and ANSI compliance multiply the given capacities with 0.85.



Stand:
16.01.2018