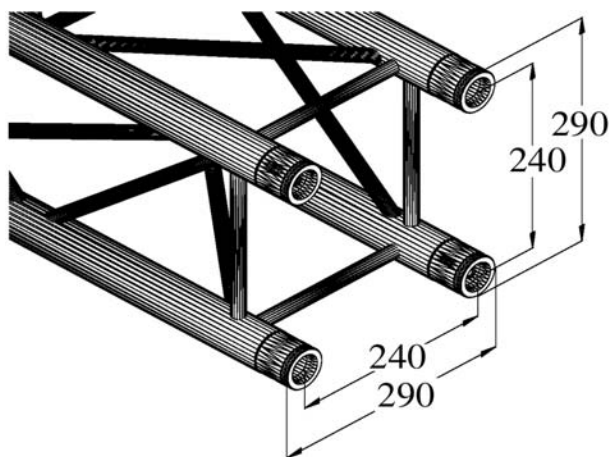


alutruss QUADLOCK QQTR



System components (straights):		
Designation	No.	Weight (kg)
QQTR-210	60302902	2,2
QQTR-500	60302905	3,3
QQTR-1000	60302910	5,6
QQTR-2000	60302920	9,9
QQTR-2500	60302925	12,0
QQTR-3000	60302930	14,2
QQTR-4000	60302940	18,6
QQTR-5000	60302950	23,0

Materials used:

Alloy	EN-AW 6060 T66 (AlMgSi0.5 T66)
Main chords	50 x 2 mm
Braces	16 x 2 mm
Accessory/truss	4 x connecting cone, pivot, pin

Load table QQTR:					
Span (m)	Point load (kg)	Deflection (mm)	UDL (kg/m)	Deflection (mm)	
2	1200	3,1	720	2,7	
4	610	8,2	249	9,2	
6	380	16,2	120	18,8	
7	330	21,8	94	25,7	
8	280	27,3	68	32,5	
9	240	35,3	56	42,5	
10	220	43,2	42	52,5	
11	170	55,9	32	61,3	
12	150	68,7	21	70,2	

Maximum system-length: 12 meters

The load capacities given in this load table are based on the German standard DIN 4113.
 The capacities are only valid for static loads supported at both ends and must never be exceeded!
 Please refer to the VPLT Code of Practice SR1.0 available under www.plasa.org and www.vplt.org
 For BS and ANSI compliance multiply the given capacities with 0.85.
 This load table is only valid for trussing systems made of ALUTRUS components.
 This load table is not valid for circular truss.

TUV-approval:



Mark approval certificate no.: 25029771001
 Test report no.: 153388

Welding approval:



Welding certificate no.: Al 6316/04