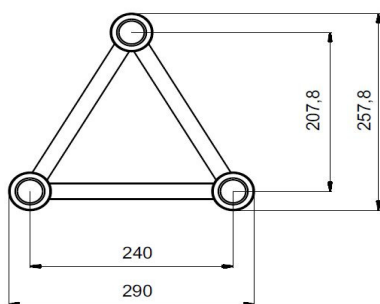


alutruss TRILOCK 6082 black 3-Way Cross Beam



Size in millimeters

System components (straights):		
Designation	No.	Weight (kg)
TRILOCK S- 210	60302530	1,5
TRILOCK S- 290	60302531	1,6
TRILOCK S- 500	60302532	1,8
TRILOCK S- 1000	60302534	3,8
TRILOCK S- 2000	60302535	6,0
TRILOCK S- 2500	60302536	7,8
TRILOCK S- 3000	60302537	9,5
TRILOCK S- 4000	60302538	13,1
TRILOCK S- 5000	60302539	16,6

Material used:

Alloy	EN-AW 6082 T6 (AlSi1MgMn)
Main chords	50 x 2 mm
Braces	16 x 2 mm
Accessory/truss	3x connecting cone, 6x pivot, 6x pin
Item No.	60301895

Load table TRILOCK S:				
Span (m)	Point load (kg)	Deflection (mm)	UDL (kg/m)	Deflection (mm)
2	718	2,2	718	2,8
4	359	8,9	179	11,1
6	240	20,0	80	25,0
8	179	35,6	45	44,5
10	144	55,6	29	69,5
12	119	80,1	20	100,1
14	103	109,0	14	136,3
16	90	142,4	11	178,0

Maximum system length: 16 meters

The load capacities given in this load table are based on calculations in accordance with EUROCODE 9 and do not include the net weight of the product. This load table is valid only for linear segments of the cross beam system ALUTRUSS TRILOCK 6082 black 3-Way Cross Beam.

This product has been designed for static loads only. No dynamic loads. If dynamic loads are to be attached to the system, the user has to provide appropriate proof.

Loads are to be attached only to the intersections of the braces and main chords. That applies to loads distributed over the carrier length too.

The cross beams and connectors must be checked for damages and deformations before each use.

For BS and ANSI compliance multiply the given capacities with 0.85.



Stand:
16.01.2018