

Materials used:
 Alloy EN-AW 6082 T6 (AlSi1MgMn T6)
 Main chords 50 x 2 mm
 Braces 20 x 2 mm
 Accessory/truss 3 x connecting cone, pivot, pin
 Item no. 6030299D

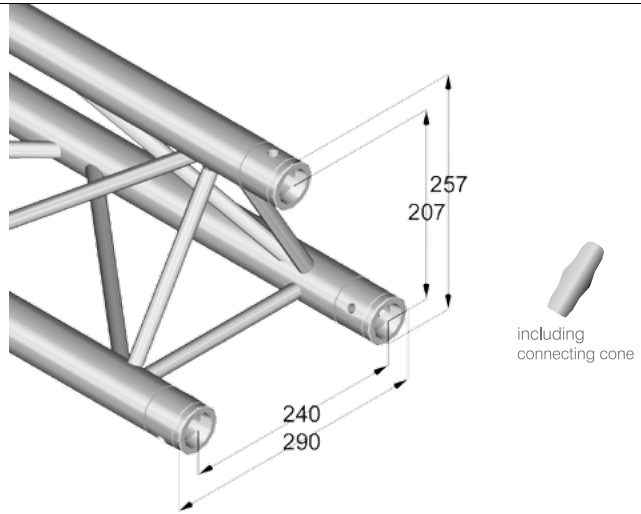
| Load table TRILOCK E-GL33 | | | | |
|---------------------------|------------------------|-----------------|-------------------------|-----------------|
| Span (m) | Center point load (kg) | Deflection (mm) | Distributed load (kg/m) | Deflection (mm) |
| 2,0 | 761 | 2,1 | 761 | 2,6 |
| 4,0 | 412 | 9,3 | 206 | 11,5 |
| 6,0 | 277 | 21,7 | 92 | 26,8 |
| 8,0 | 206 | 39,8 | 51 | 48,8 |
| 10,0 | 154 | 62,0 | 31 | 75,2 |
| 12,0 | 117 | 88,3 | 20 | 105,6 |

Maximum system length: 12 meters



- No. 60302176..... E-GL33 210
- No. 60302178..... E-GL33 290
- No. 60302180..... E-GL33 500
- No. 60302182..... E-GL33 1000
- No. 60302184..... E-GL33 1500
- No. 60302186..... E-GL33 2000
- No. 60302188..... E-GL33 2500
- No. 60302190..... E-GL33 3000
- No. 60302192..... E-GL33 3500
- No. 60302194..... E-GL33 4000
- No. 60302196..... E-GL33 4500
- No. 60302198..... E-GL33 5000

ALUTRUSS TRILOCK E-GL33 3-Way Cross Beam



Trilock E-GL

No. 60302202
ALUTRUSS TRILOCK E-GL33 C-19 2-Way Corner 45°

No. 60302204
ALUTRUSS TRILOCK E-GL33 C-20 2-Way Corner 60°

No. 60302206
ALUTRUSS TRILOCK E-GL33 C-21 2-Way Corner 90°

No. 60302208
ALUTRUSS TRILOCK E-GL33 C-22 2-Way Corner 120°

No. 60302212
ALUTRUSS TRILOCK E-GL33 C-23 2-Way Corner 135°

No. 60302214
ALUTRUSS TRILOCK E-GL33 C-24 2-Way Corner 90° Λ

No. 60302218
ALUTRUSS TRILOCK E-GL33 C-25 2-Way Corner 90° V

No. 60302222
ALUTRUSS TRILOCK E-GL33 C-31 3-Way Corner