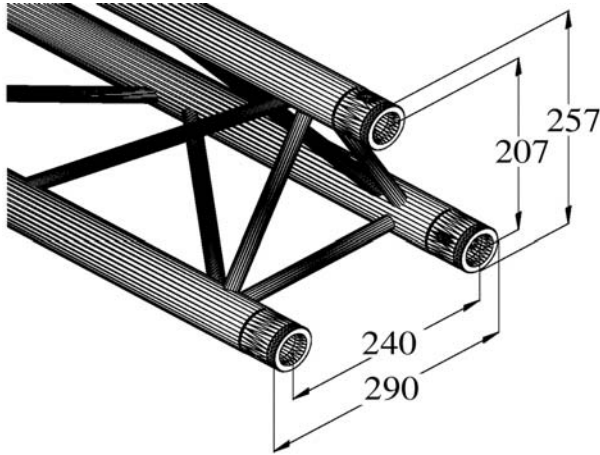


alutruss TRILOCK QTTR



System components (straights):		
Designation	No.	Weight (kg)
QTTR-210	60301803	1,5
QTTR-290	60301804	1,7
QTTR-500	60301805	2,4
QTTR-1000	60301810	4,2
QTTR-2000	60301820	7,5
QTTR-2500	60301825	9,1
QTTR-3000	60301830	10,8
QTTR-4000	60301840	14,1
QTTR-5000	60301850	17,3

Materials used:

Alloy	EN-AW 6060 T66 (AlMgSi0.5 T66)
Main chords	50 x 2 mm
Braces	16 x 2 mm
Accessory/truss	3 x connecting cone, pivot, pin

Load table QTTR:				
Span (m)	Point load (kg)	Deflection (mm)	UDL (kg/m)	Deflection (mm)
6	143	12,0	77	24,4
7	137	17,0	57	32,0
8	127	25,2	43	43,2
9	105	28,2	35	49,7
10	84	35,6	25	61,3
11	71	46,6	21	77,1
12	73	57,6	18	94,1

Maximum system-length: 12 meters

The load capacities given in this load table are based on the German standard DIN 4113.
 The capacities are only valid for static loads supported at both ends and must never be exceeded!
 Please refer to the VPLT Code of Practice SR1.0 available under www.plasa.org and www.vplt.org
 For BS and ANSI compliance multiply the given capacities with 0.85.
 This load table is only valid for trussing systems made of ALUTRUS components.
 This load table is not valid for circular truss.

TUV-approval:



Mark approval certificate no.: 25029771001
 Test report no.: 153388

Welding approval:



Welding certificate no.: AI 6316/04