

Materials used:
 Alloy EN-AW 6082 T6 (AlSi1MgMn T6)
 Main chords 50 x 2 mm
 Braces 16 x 2 mm
 Accessory/truss 2 x connecting cone, pivot, pin
 Item number 6030199C

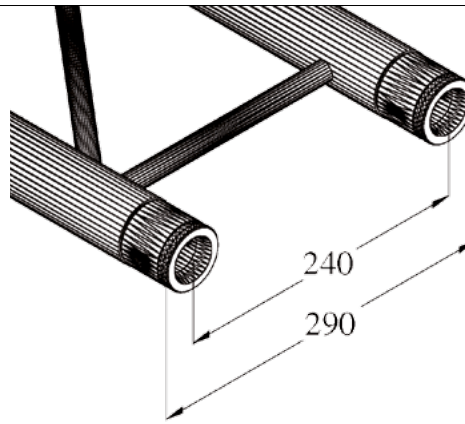
Load table BQ2:				
Span (m)	Point load (kg)	Deflection (mm)	UDL (kg/m)	Deflection (mm)
2	698	2.2	350	1.4
4	396	9.8	174	10.9
6	263	22.1	88	27.6
8	198	39.3	49	49.1
10	158	61.4	32	76.7
12	131	88.4	22	110.5
14	113	120.3	16	150.4
16	99	157.1	12	196.4

Maximum system length: 16 meters



- No. 60210205..... BQ2-290
- No. 60210210..... BQ2-500
- No. 60210211..... BQ2-710
- No. 60210212..... BQ2-1000
- No. 60210215..... BQ2-1500
- No. 60210216..... BQ2-2000
- No. 60210218..... BQ2-2500
- No. 60210220..... BQ2-3000
- No. 60210224..... BQ2-4000
- No. 60210226..... BQ2-5000

ALUTRUSS BILOCK BQ2 2-way Cross Beam



Bilock BQ2

No. 60210230
ALUTRUSS BILOCK BQ2-PAC19H 2-way Corner 45°

No. 60210231
ALUTRUSS BILOCK BQ2-PAC19V 2-way Corner 45°

No. 60210232
ALUTRUSS BILOCK BQ2-PAC20H 2-way Corner 60°

No. 60210233
ALUTRUSS BILOCK BQ2-PAC20V 2-way Corner 60°

No. 60210234
ALUTRUSS BILOCK BQ2-PAC21H 2-way Corner 90°

No. 60210235
ALUTRUSS BILOCK BQ2-PAC21V 2-way Corner 90°

No. 60210236
ALUTRUSS BILOCK BQ2-PAC22H 2-way Corner 120°

No. 60210238
ALUTRUSS BILOCK BQ2-PAC23H 2-way Corner 135°