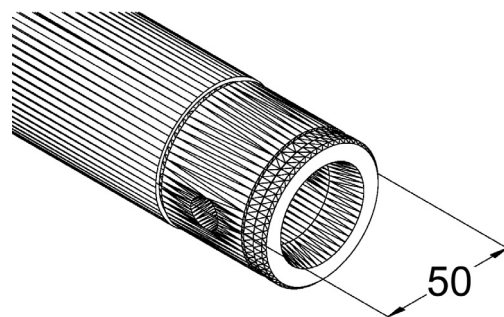
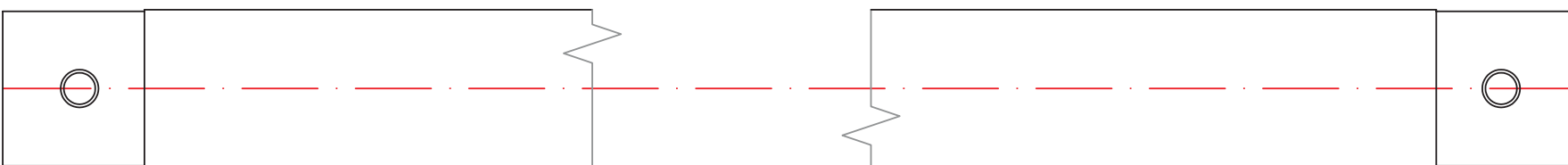
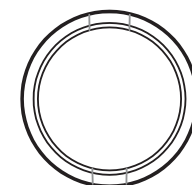
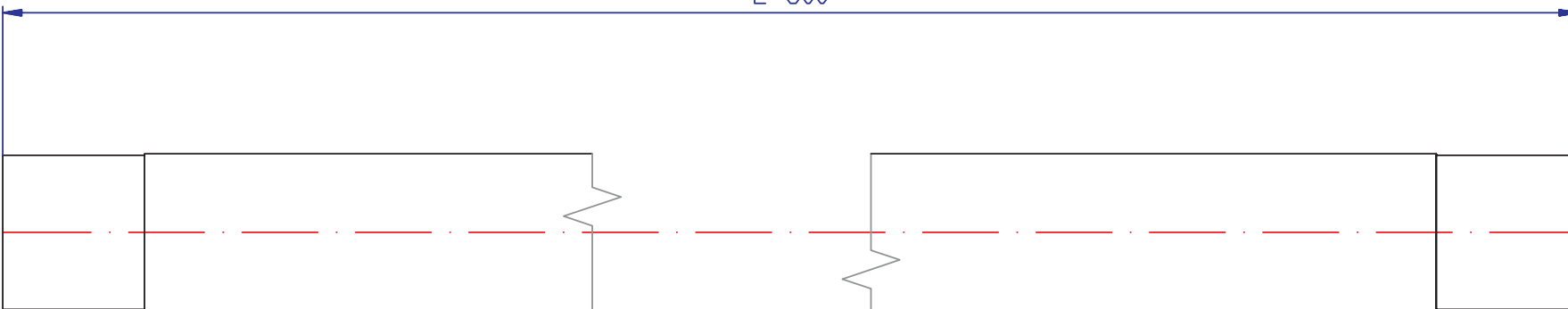


2 500



| | |
|---------------------|------------|
| alutrus | |
| SINGLELOCK SP-2500 | |
| Engineering Drawing | |
| Date: 19.07.2006 | Sheet: 1/1 |