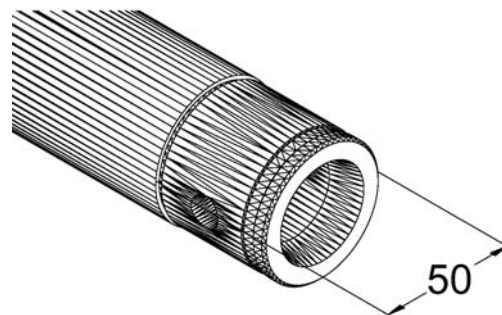
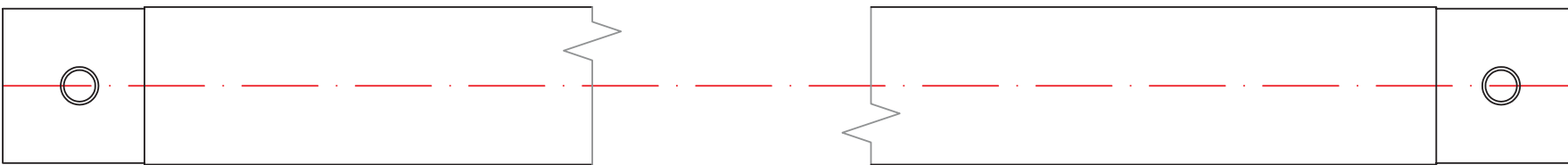
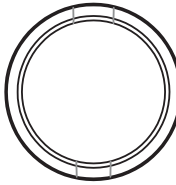
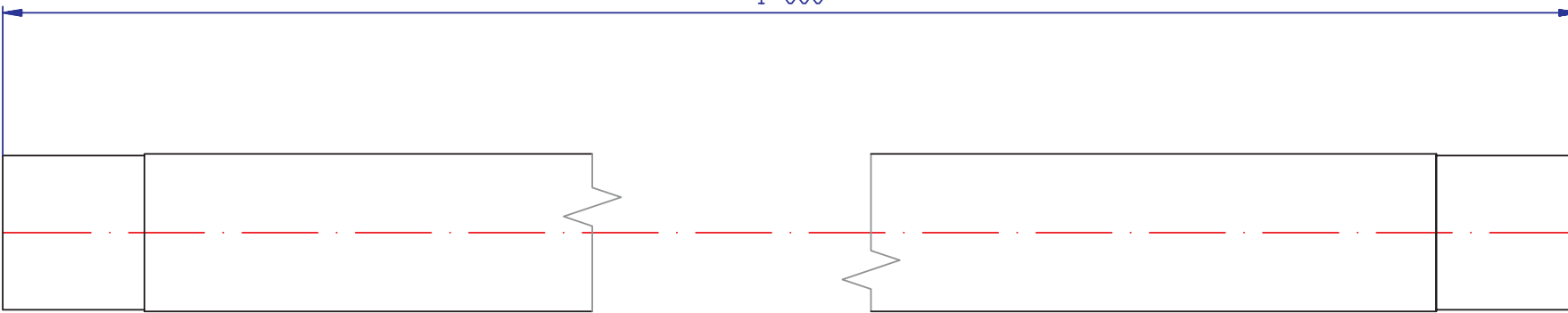


1 000



alutrus	
SINGLELOCK SP-1000	
Engineering Drawing	
Date: 19.07.2006	Sheet: 1/1