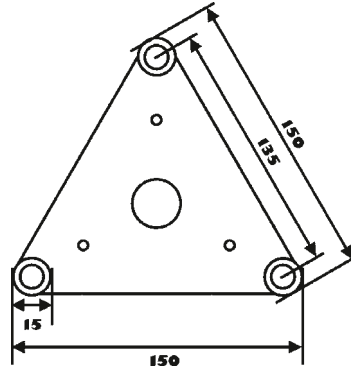


DECOTRUSS

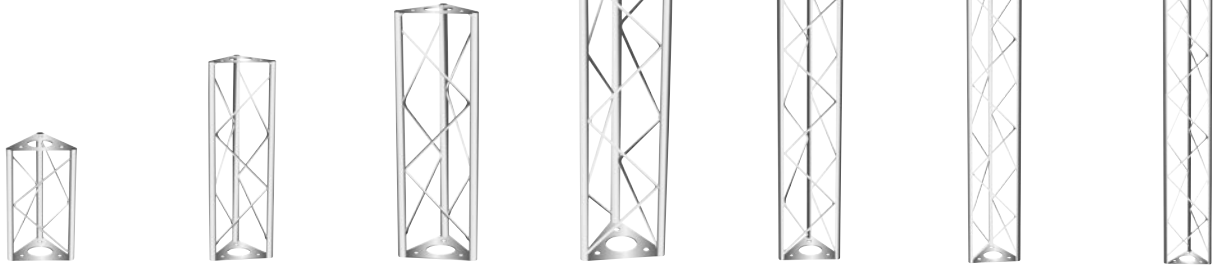
DECOTRUSS is a 3-point truss system made of steel. The individual elements are connected via three M8 bolts and nuts. The advantage of the bolt connection system is that these bolts and nuts are easily available in case of losing fasteners. The three main chords are made of 15 mm steel tube with 1.5 mm wall thickness and can only be used for decorative purposes. With its minimal outer dimensions of 150 mm, DECOTRUSS is ideal for creating individual design-elements in decorative areas of private homes, fair booths, shops, discotheques and theatres. This truss system is a mere decoration system convincing by its compact dimensions, low storage requirements and easy transportation.

- Easy installation
- Phantastic creations through a variety of crossbeams and corners
- DECO-TRUSS constructions are meant as design-elements
- Please respect the regulations in respect to trussing constructions



DECOTRUSS ST-450 Truss silver

No. 60112006.....	ST 250
No. 60112014.....	ST 450
No. 60112017.....	ST 470
No. 60112024.....	ST 500
No. 60112034.....	ST 1000
No. 60112044.....	ST 1500
No. 60112054.....	ST 2000



Technical specifications:

Device:	60112006	60112014	60112017	60112024	60112034	60112044	60112054
Longitudinal tubes:	15 x 1.5 mm	15 x 1.5 mm	15 x 1.5 mm	15 x 1.5 mm	15 x 1.5 mm	15 x 1.5 mm	15 x 1.5 mm
Cross bracing:	5 mm	5 mm	5 mm	5 mm	5 mm	5 mm	5 mm
Dimensions:	250 x 150 x 130 mm	450 x 150 x 130 mm	470 x 150 x 130 mm	500 x 150 x 130 mm	1000 x 150 x 130 mm	1500 x 150 x 130 mm	2000 x 150 x 130 mm
Weight:	0.85 kg	1.18 kg	1.20 kg	1.26 kg	2.30 kg	3.40 kg	4.55 kg



DECOTRUSS SAC-19 corner 2-way 45°

No. 60112074 1.2 kg



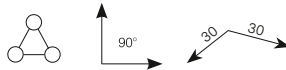
DECOTRUSS SAC-20 corner 2-way 60°

No. 60112078 0.8 kg



DECOTRUSS SAC-21 corner 2-way 90°

No. 60112084 1.1 kg



DECOTRUSS SAC-22 corner 2-way 120°

No. 60112094 1.3 kg



DECOTRUSS SAC-23 corner 2-way 135°

No. 60112104 1.3 kg



DECOTRUSS SAC-24 corner 90°

No. 60112114 1.1 kg

