

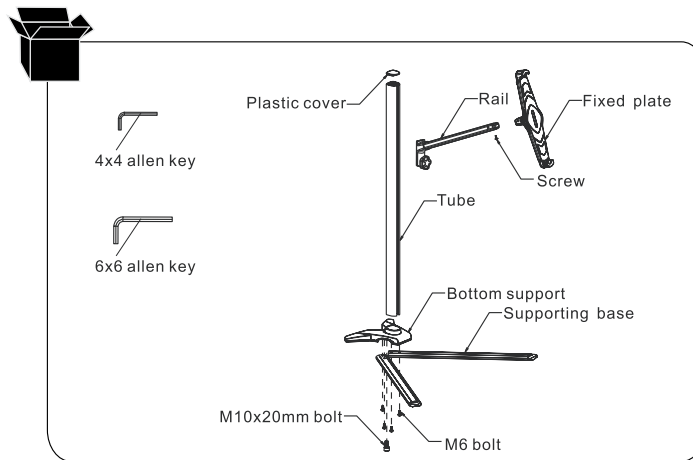
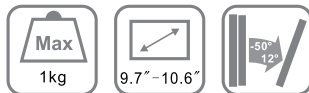
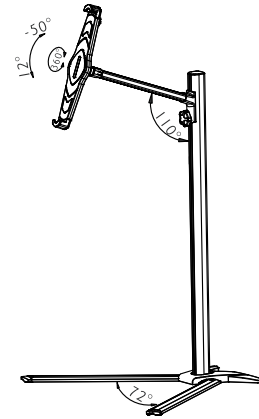


TECHNOLOGY DESIGNED FOR PLEASURE  
WWW.OMNITRONIC.DE

# PA-01 Tablet Stand

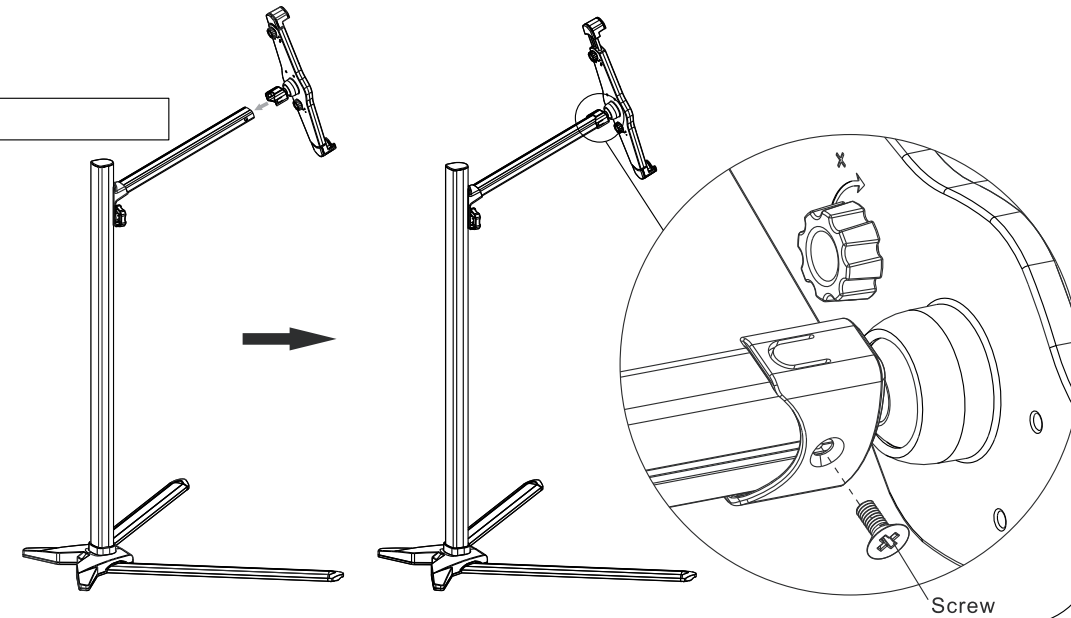
Item 60006305

## Installation Guide



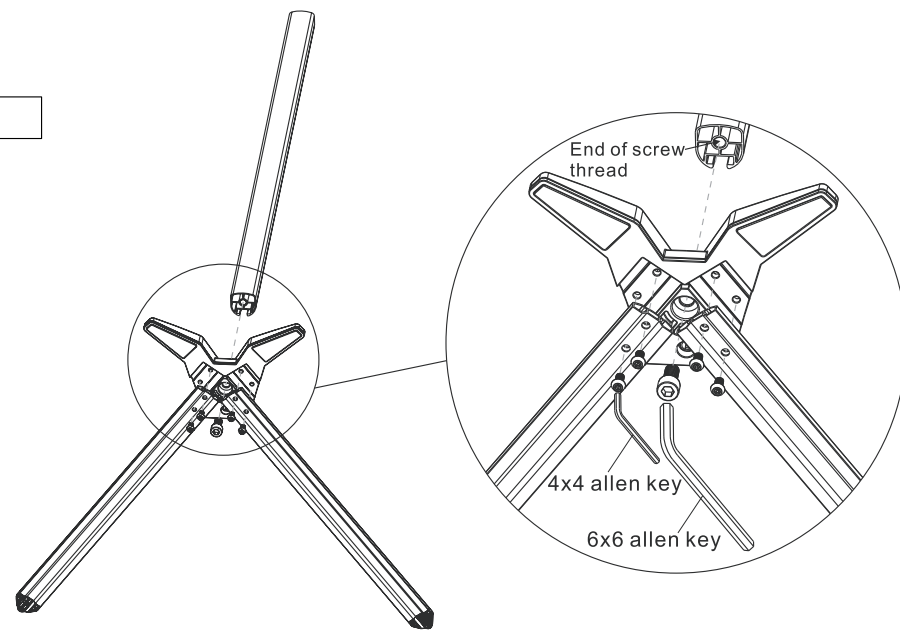
### STEP 3

#### Installing the fixation plate



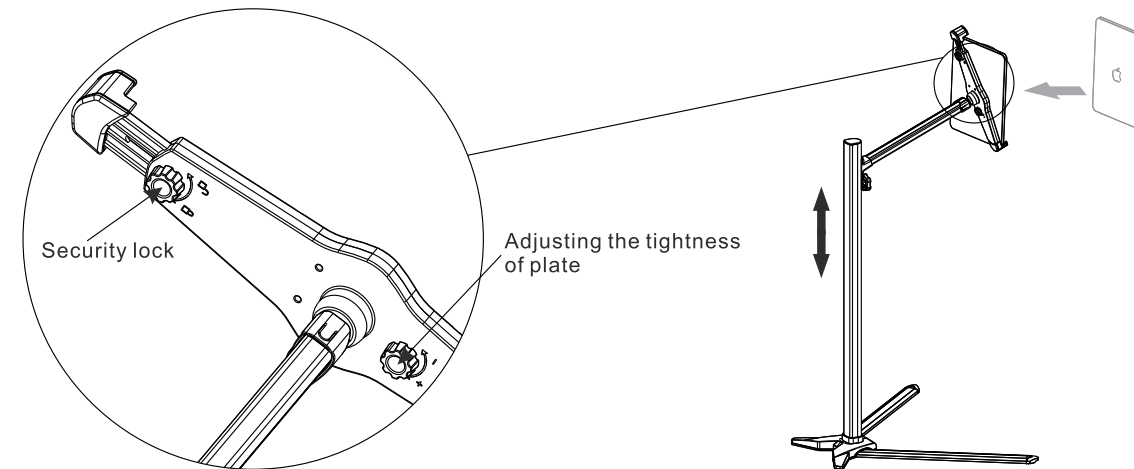
### STEP 1

#### Installing the bottom support



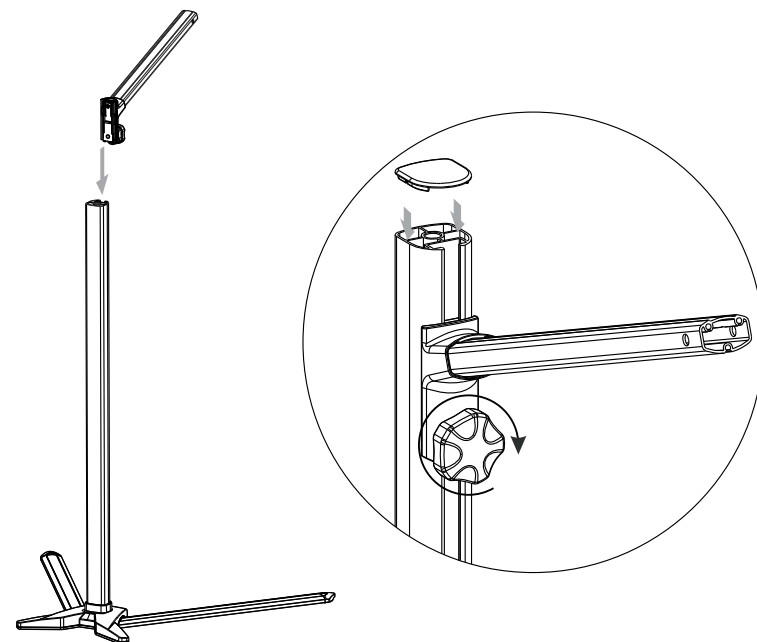
### STEP 4

#### Inserting the tablet



### STEP 2

#### Installing the rail



### CAUTION

- This product contains small items that could be a choking hazard if swallowed. Keep these items away from young children.
- Pls read the instruction manual carefully before installation and follow the procedure step by step.
  - Make sure the security lock is locked to prevent from accidentally dropping of the tablet.
  - Make sure the connecting screw is installed correctly.

Make sure the tablet is less than 1 kg before using, any accidental dropping for tablet over 1kg is not responsible of vendor

Note: this product is intended for indoor use only. Use of this product outdoors could lead to product failure or personal injury.



TECHNOLOGY DESIGNED FOR PLEASURE  
WWW.OMNITRONIC.DE