

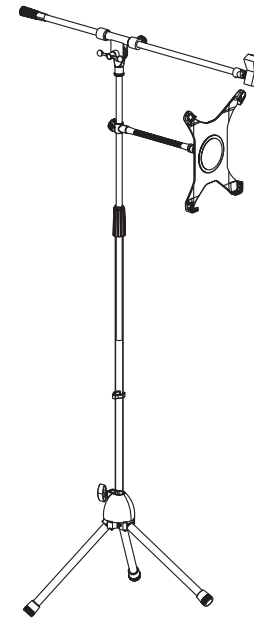
---

Thank you for choosing our product

---

## INSTALLATION GUIDE

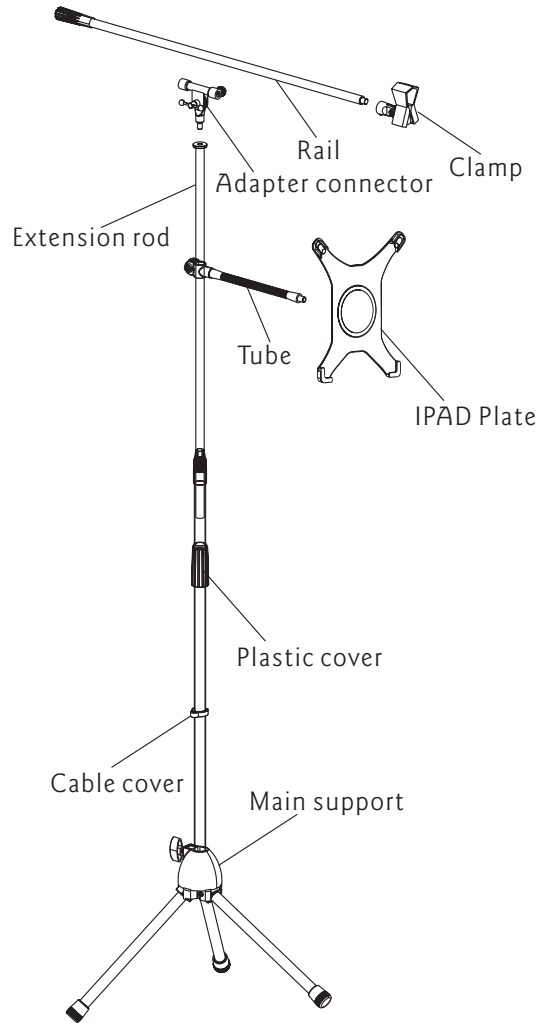
IH-1 iPad holder for microphone stands



- Ipad ground stand which is combined with microphone stand
- Full 360° rotation for ipad

---

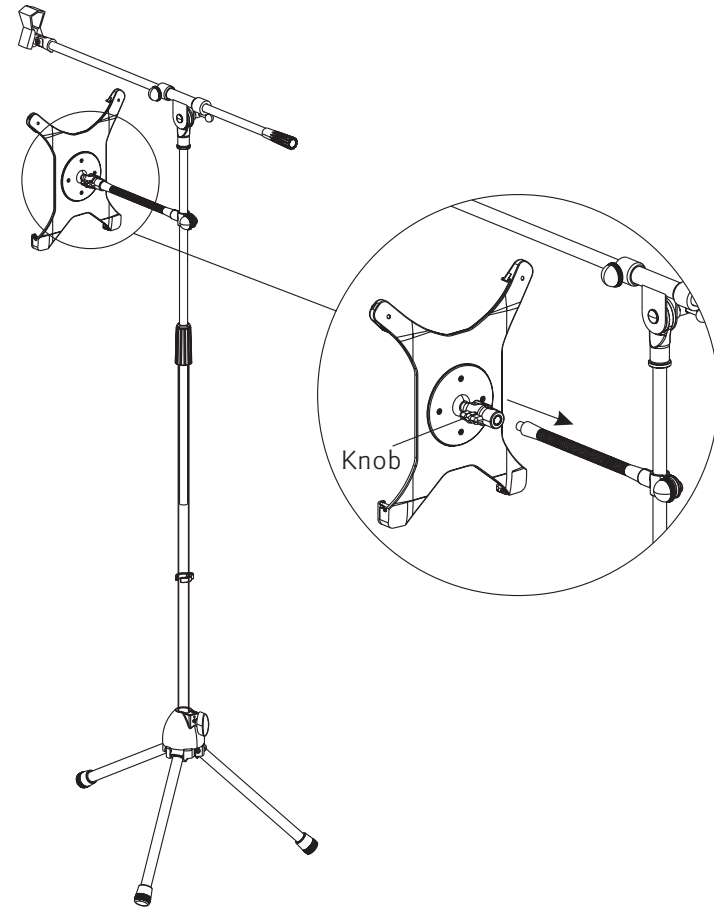
Hardware Kit:



---

Part 5-Attaching IPAD Plate to Tube

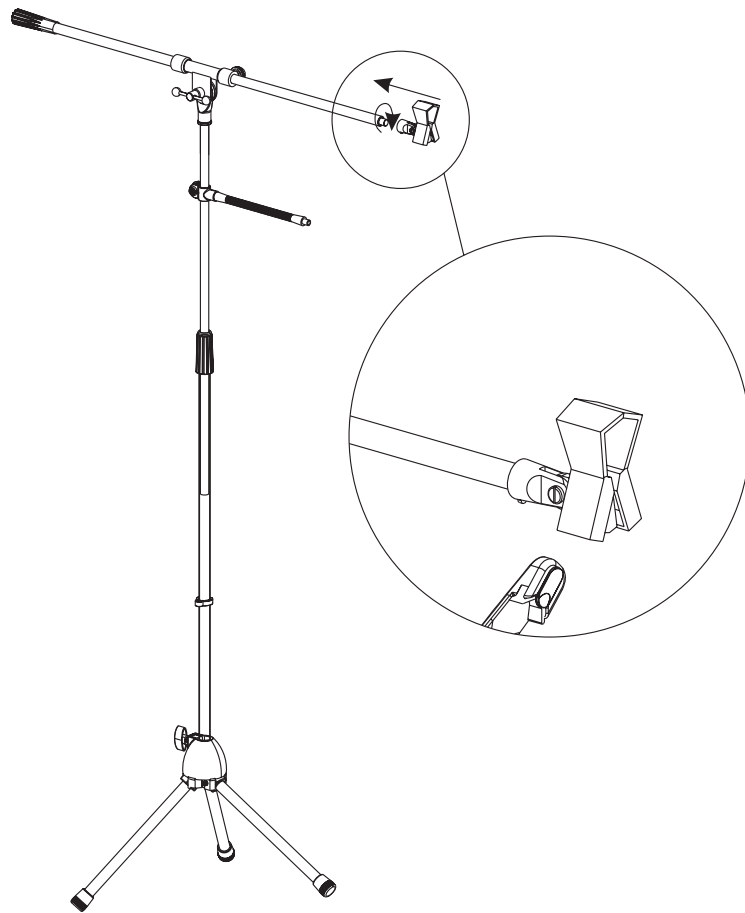
Attach ipad plate to tube and fix it by knob to make it tighten.



---

#### Part 4 Attaching Clamp to Rail

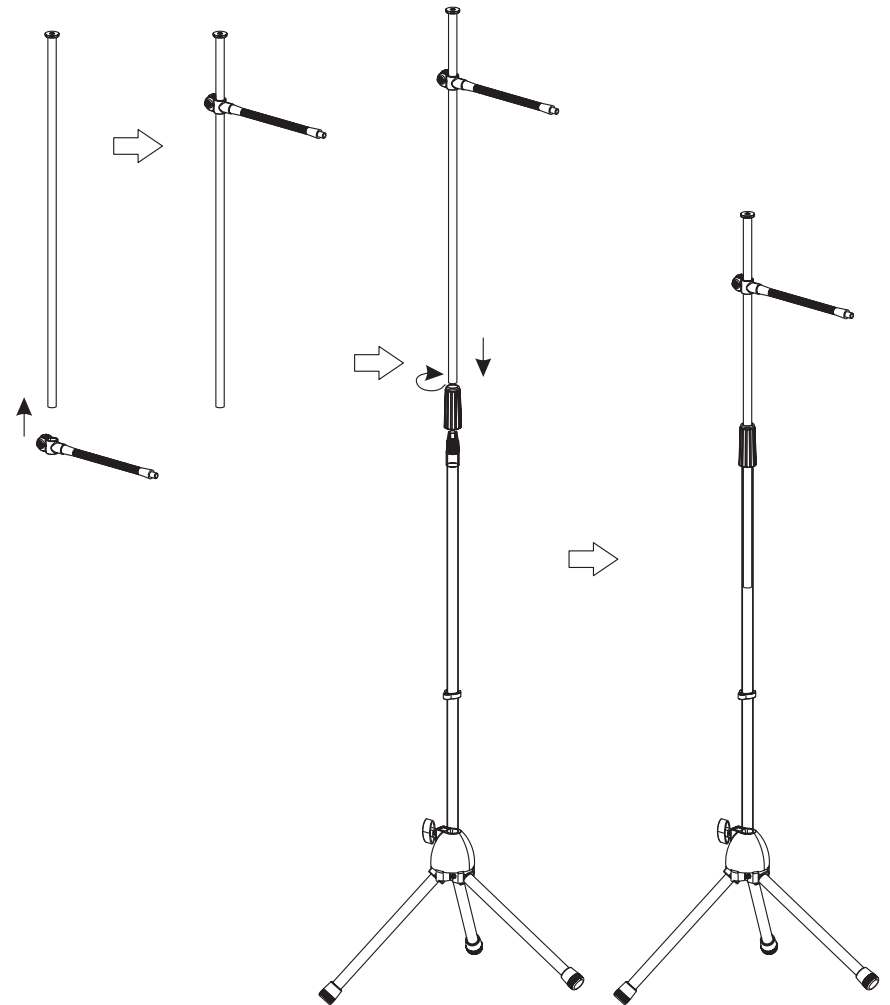
Install clamp to rail and tighten the clamp.



---

#### Part 1 -Attaching Extension rod to Main support

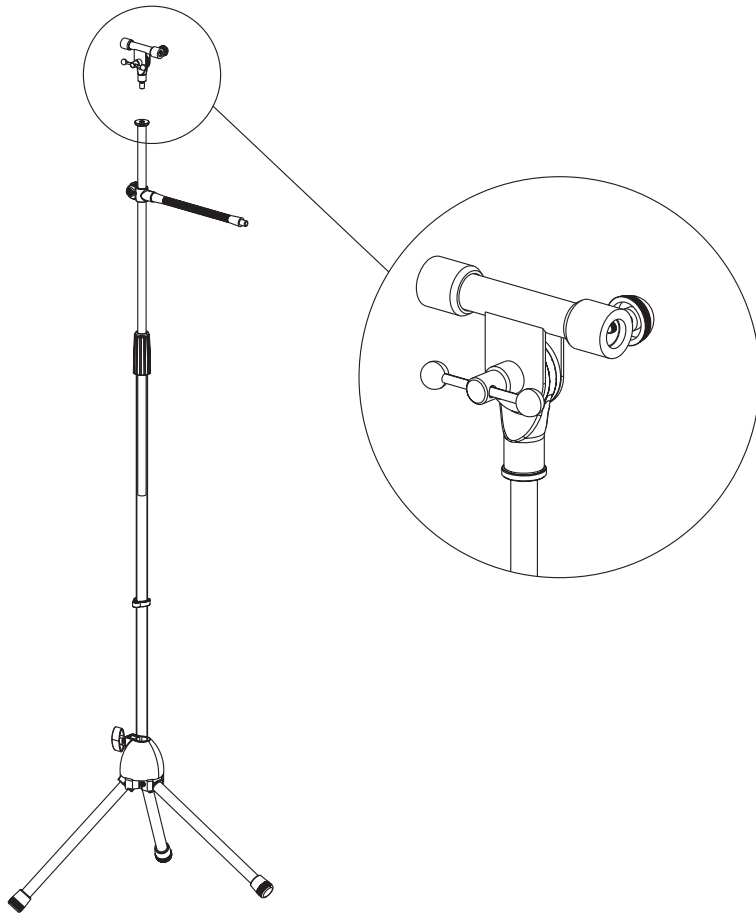
First fix the tube on the extension rod, then slide the extension rod into the main support and fix it by plastic cover to make it tighten.



---

## Part 2-Attaching Adapter connector to Extension rod

Attach adapter connector to extension rod and tighten the adapter connector.



---

## Part 3-Attaching Rail to Adapter connector

Attach rail to adapter connector and fix it by knob to make it tighten.

