

# EUROLITE LED IP PAD COB RGB 150W

## No. 51914166

Type: LED IP PAD COB RGB 150W  
Power supply: 230 V AC, 50 Hz ~  
Power consumption: 180 W/185 VA

$T_s=45^{\circ}\text{C}$   $T_c=90^{\circ}\text{C}$

MADE IN CHINA

0.1 m

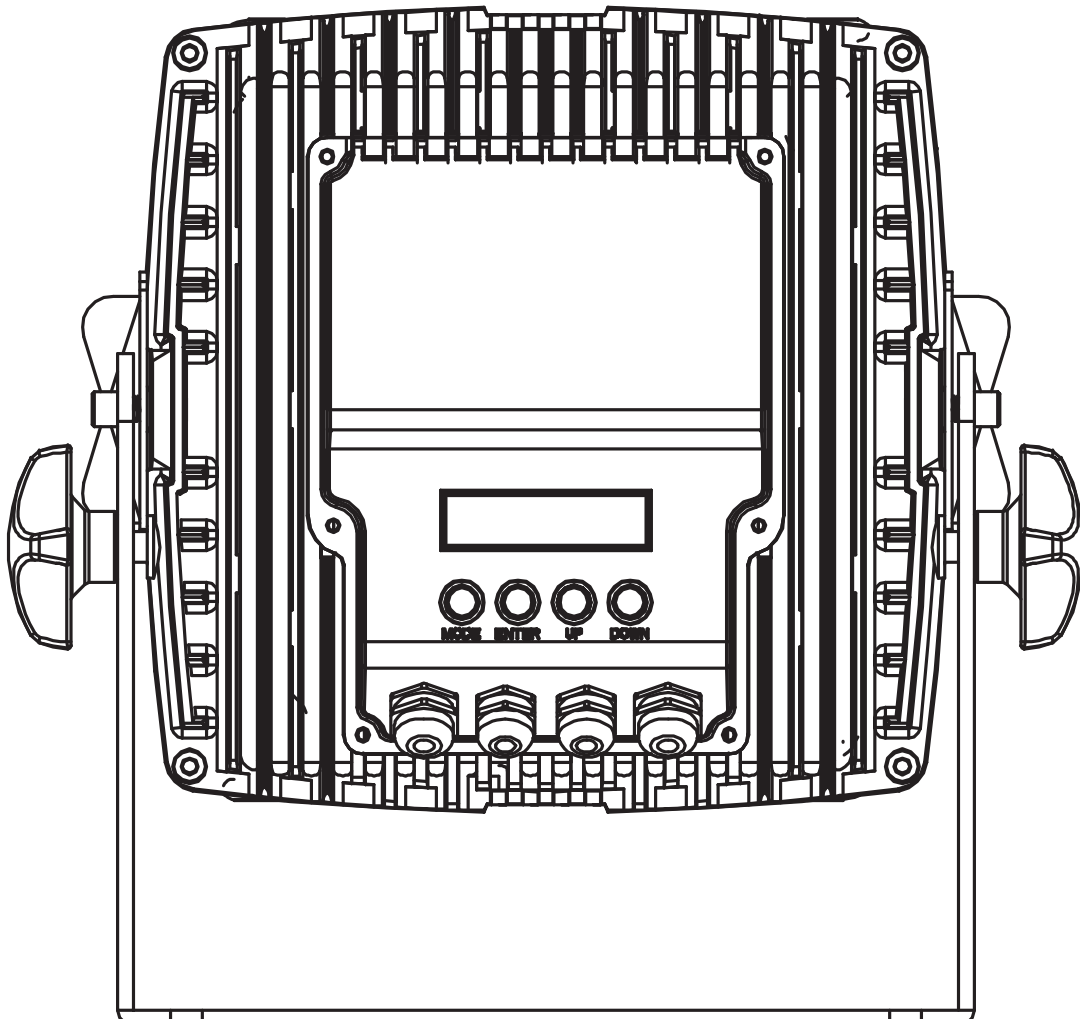
CE

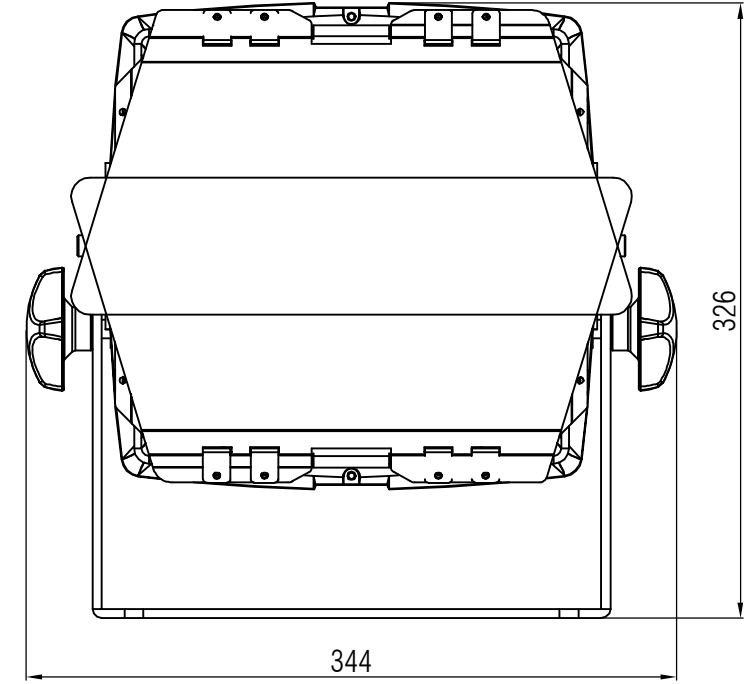
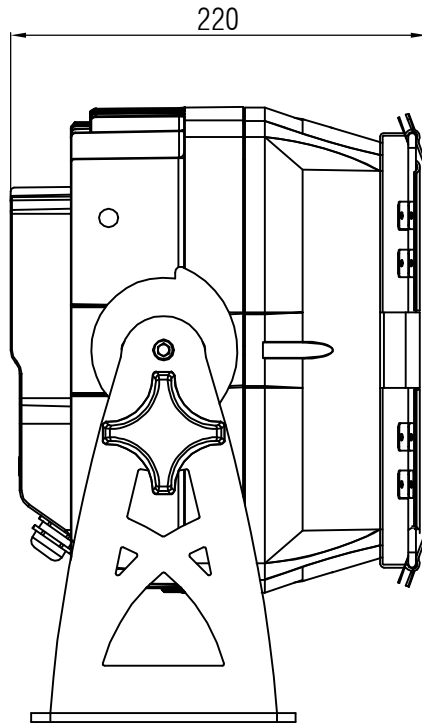
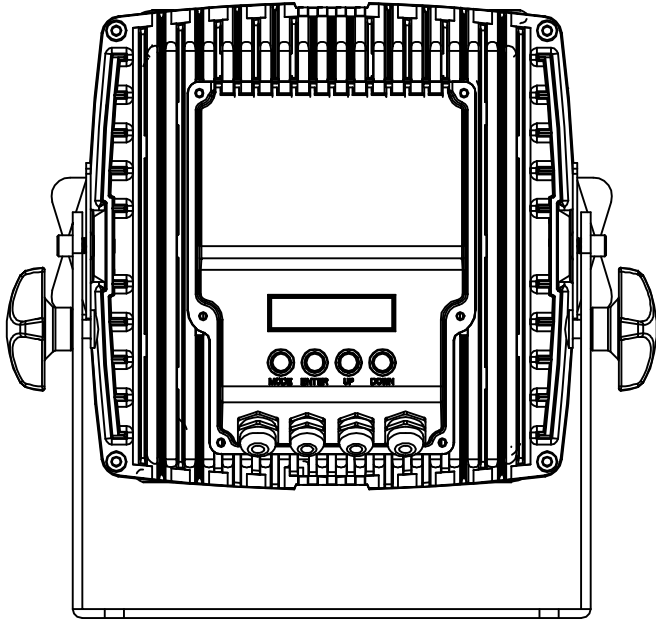
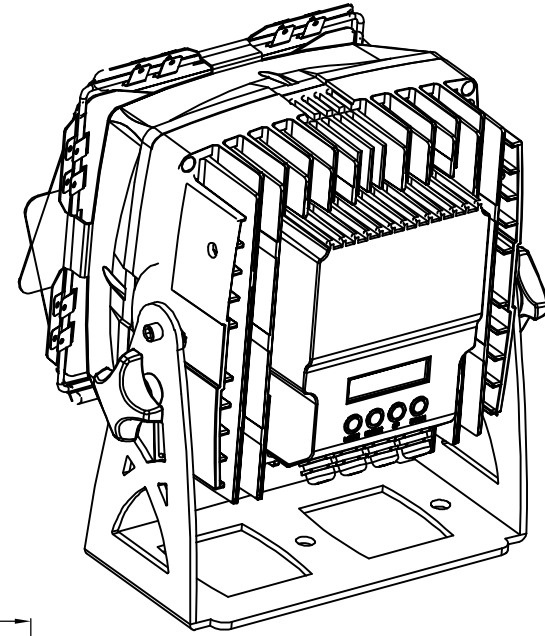
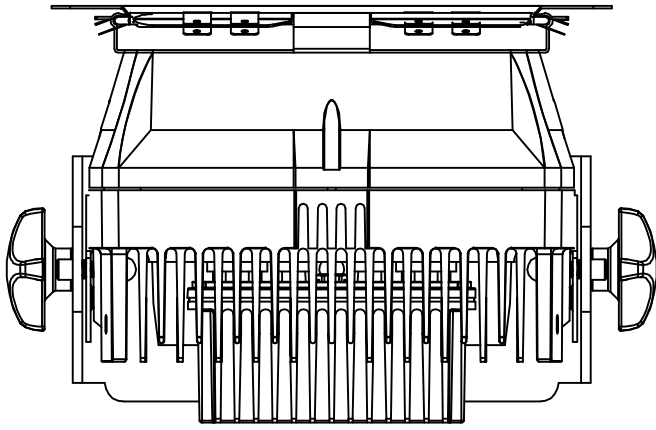
IP65

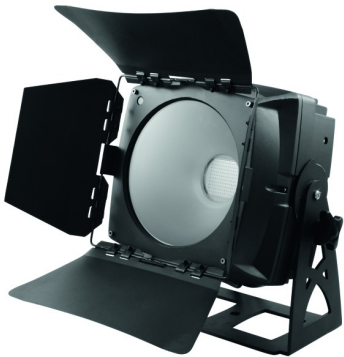
eurolite®  
www.eurolite.de

Read user manual before use. Never look directly into the light source (especially meant for epileptics)! There are no serviceable parts inside the device. Maintenance and service operations only by authorized dealers. Replace any cracked protective shield.

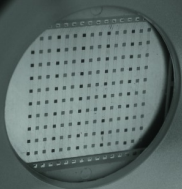
Steinigke Showtechnic GmbH, Andreas-Bauer-Str. 5  
97297 Waldbüttelebrunn, Germany, www.steinigke.de















Type: LED IP PAD COB RGB 150W  
Power supply: 230 V AC, 50 Hz ~  
Power consumption: 180 W/185 VA  
T<sub>a</sub>=45° C T<sub>c</sub>=90° C



MADE IN CHINA



**eurolite**  
www.eurolite.de

Read user manual before use. Never look directly into the light source (especially meant for epileptic)! There are no serviceable parts inside the device. Maintenance and service operations only by authorized dealers. Replace any cracked protective shield.

Steinweg Showelectric GmbH, Andreas-Bauer-Str. 6  
97227 Walthausen, Germany, www.steinweg.de

51914186 EUROLITE LED IP PAD COB RGB 150W



51914186X1255500010032

Copyright Showelectric GmbH, Andreas-Bauer-Str. 6, 97227 Walthausen, Germany, www.steinweg.de