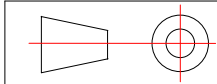
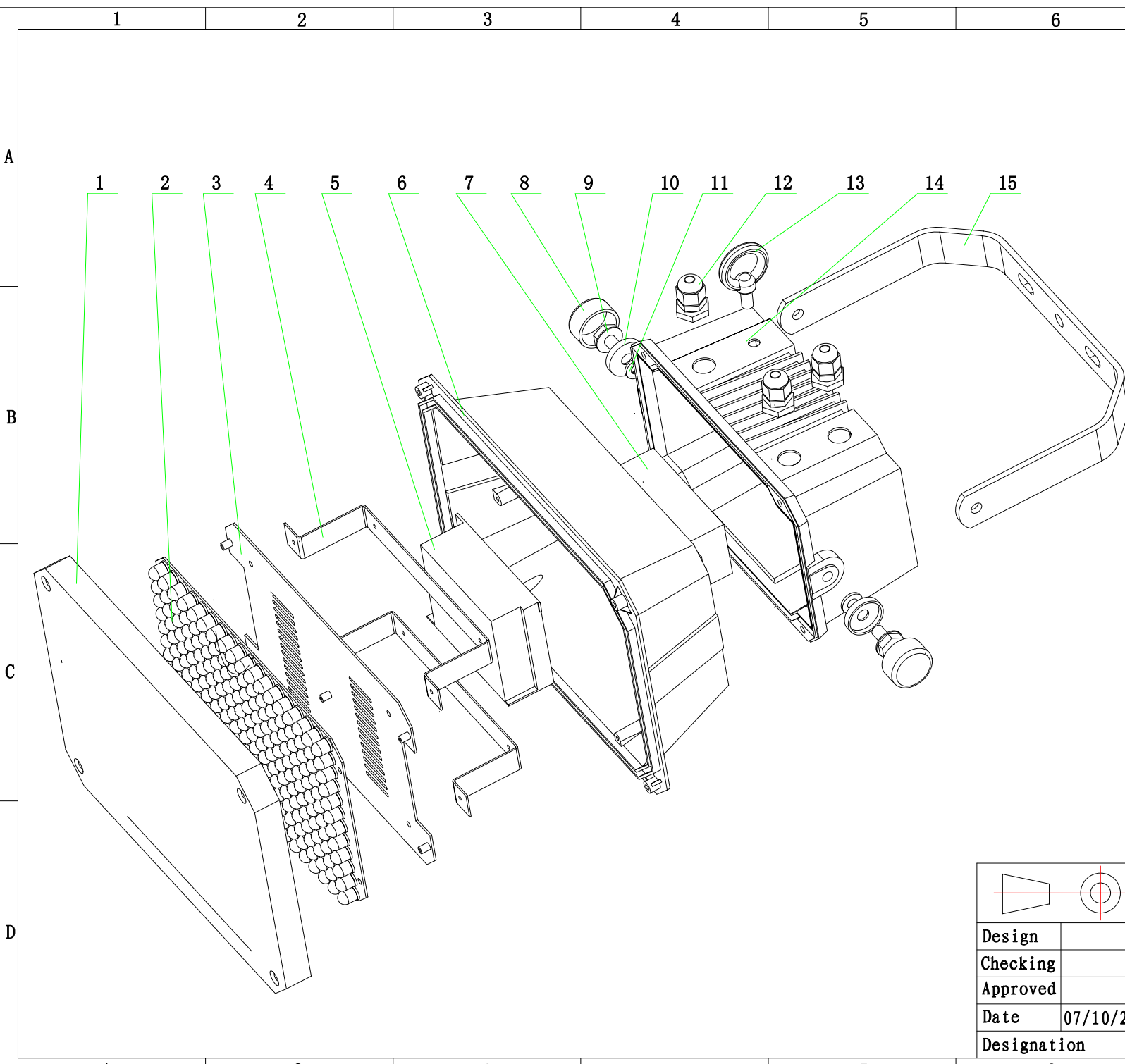


SN	Code#	Description	Q' ty
1		OUTER CIRCLE	1
2		WATER PROOF RUBBER	1
3		ROUND GLASS	1
4		MAIN HOUSING	1
5		CAP	2
6		M8 SCREW	2
7		CAP HOLDER	2
8		TOOTH WASHER	2
9		LEDS PCB	1
10		STAND FOR LE DS PCB	1
11		SUPPORTING FOR STAND	1
12		SWITCH POWER SUPPLY	1
13		FIXING PANEL	1
14		BOX FOR MAIN PCB BOARD	1
15		BACK HOUSING	1
16		SAFETY EYE	1
17		WATER-PROOF CONNECTOR	3
18		BRACKETS	1



Design		Item		Chart NO	P40080
Checking		Amount		Material	
Approved		Scale		Unit	mm
Date	07/10/25	Standard		Edition	01
Designation	OUTDOOR LED PAR64				



7		8	
SN	Code#	Description	Q' ty
1	0703001	OUTER CIRCLE	1
2	0703002	LEDS PCB	1
3	0703003	STAND FOR LEDS PCB	2
4	0703004	SUPPORTING FOR STAND	1
5	0703005	SWITCH POWER SUPPLY	1
6	0703006	MAIN HOUSING	1
7	0703007	BOX FOR MAIN PCB	1
8	0703008	BOARD CAP	2
9	0703009	M8 SCREW	2
10	0703010	CAP HOLDER	2
11	0703011	TOOTH WASHER	2
12	0703012	WATER-PROOF CONNECTOR	3
13	0703013	SAFETY EYE	1
14	0703014	BACK HOUSING	1
15	0703015	BRACKETS	1

				HIGHENDED ELECTRONICS COMPANY LIMITED	
Design		Item		Chart NO	P40081
Checking		Amount		Material	
Approved		Scale		Unit	mm
Date	07/10/25	Standard		Edition	01
Designation		OUTDOOR LED RECTANGLE LIGHT			