

Title		
EUROLITE LED PAR-56 RGB 5mm Short		
Size	Number	Revision
A4		
Date:	2012-9-25	Sheet of
File:		

A

A

B

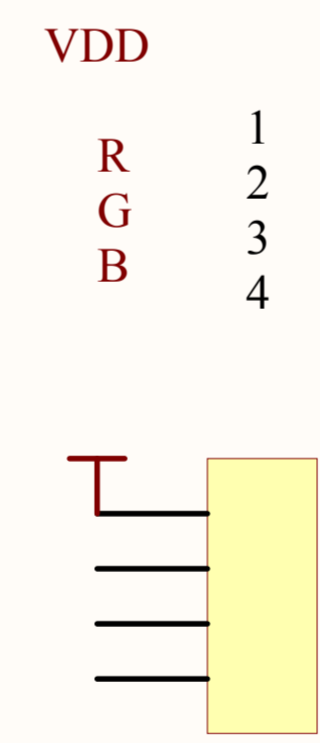
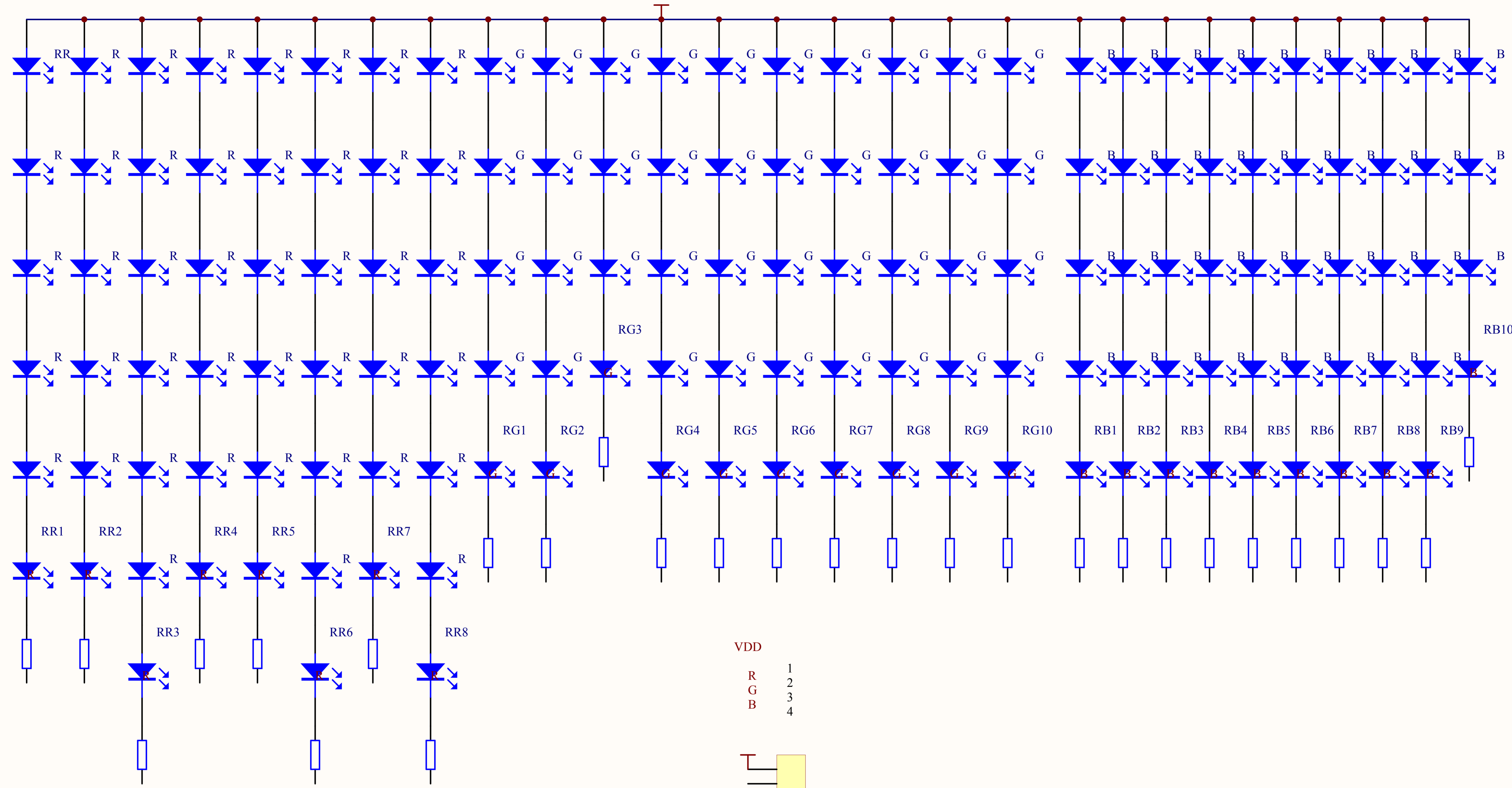
B

C

C

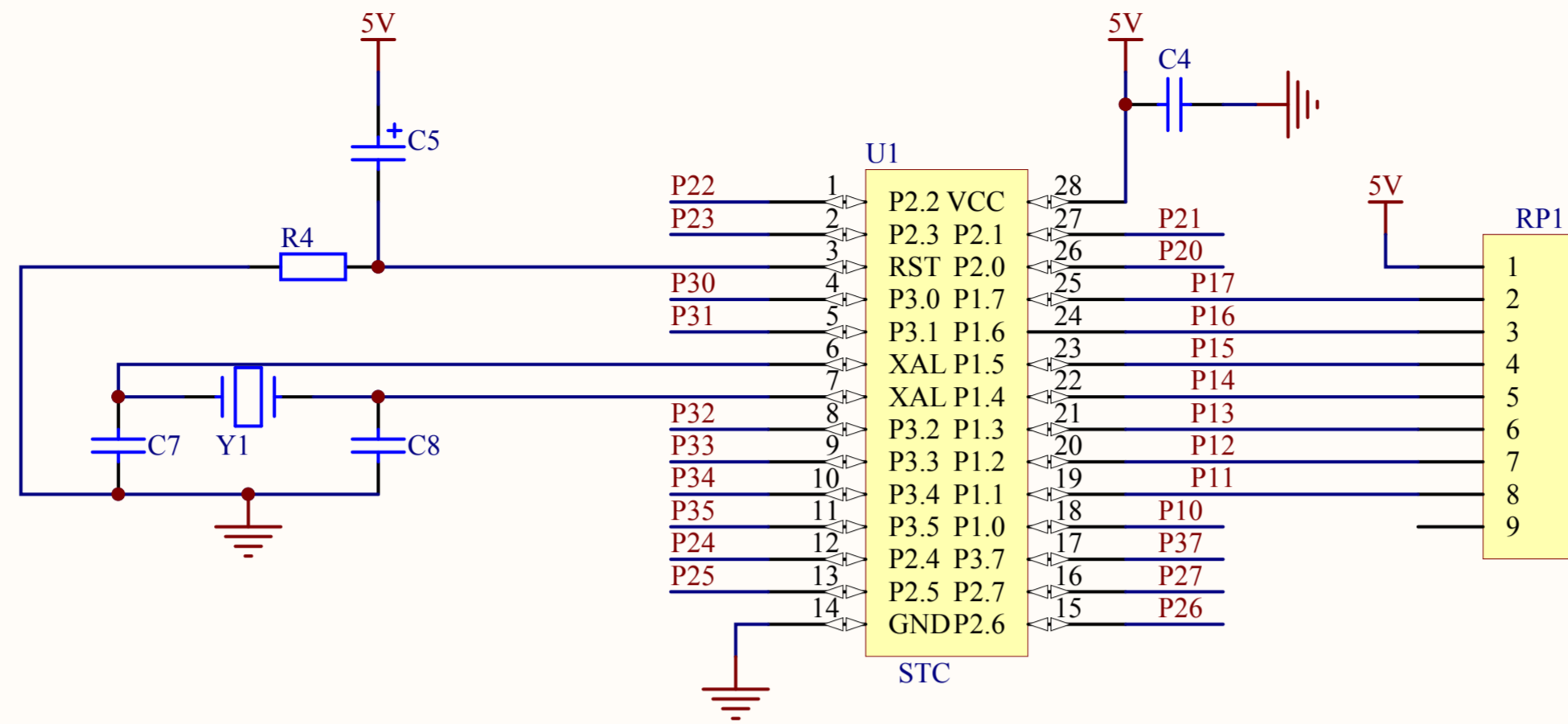
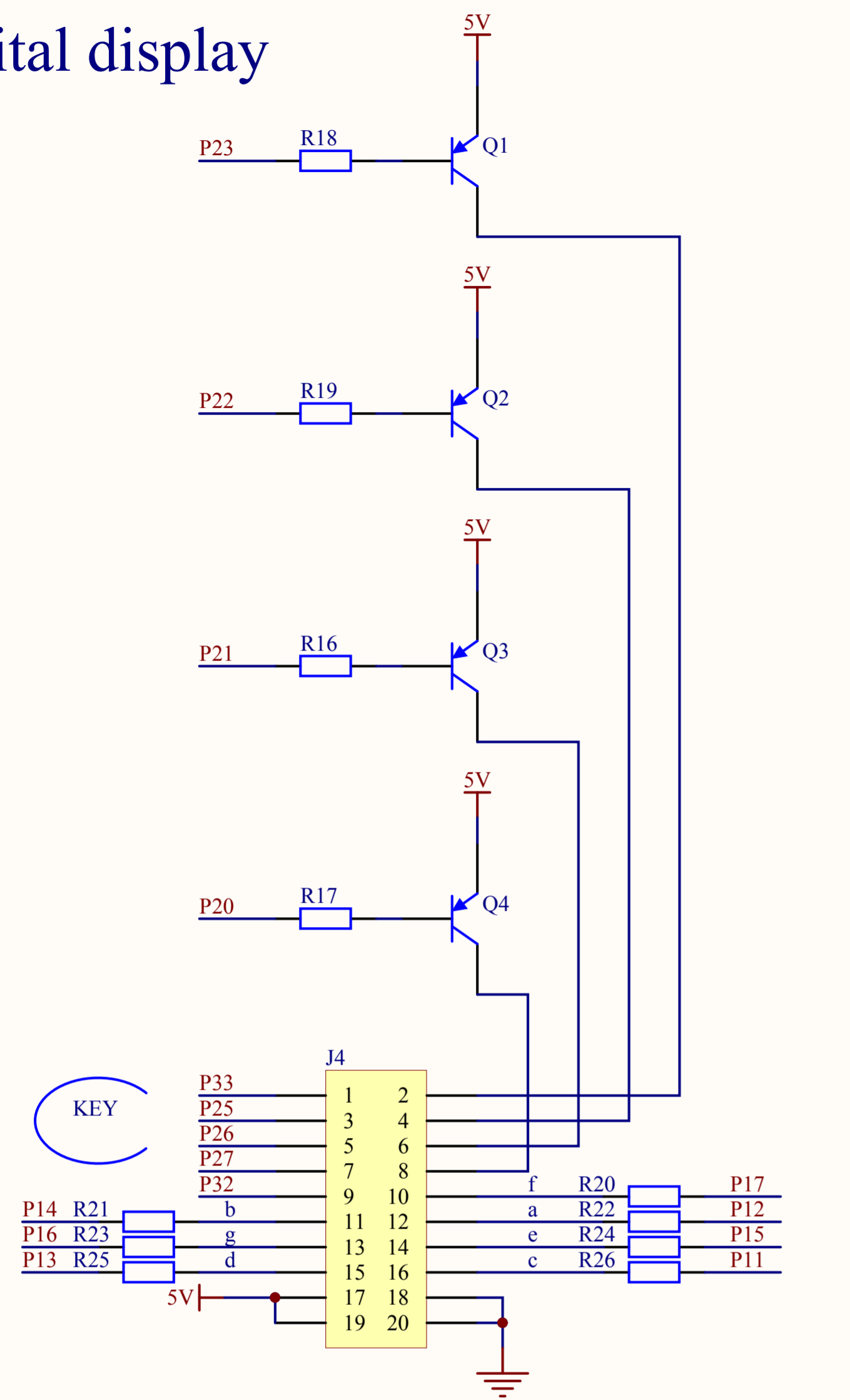
D

D

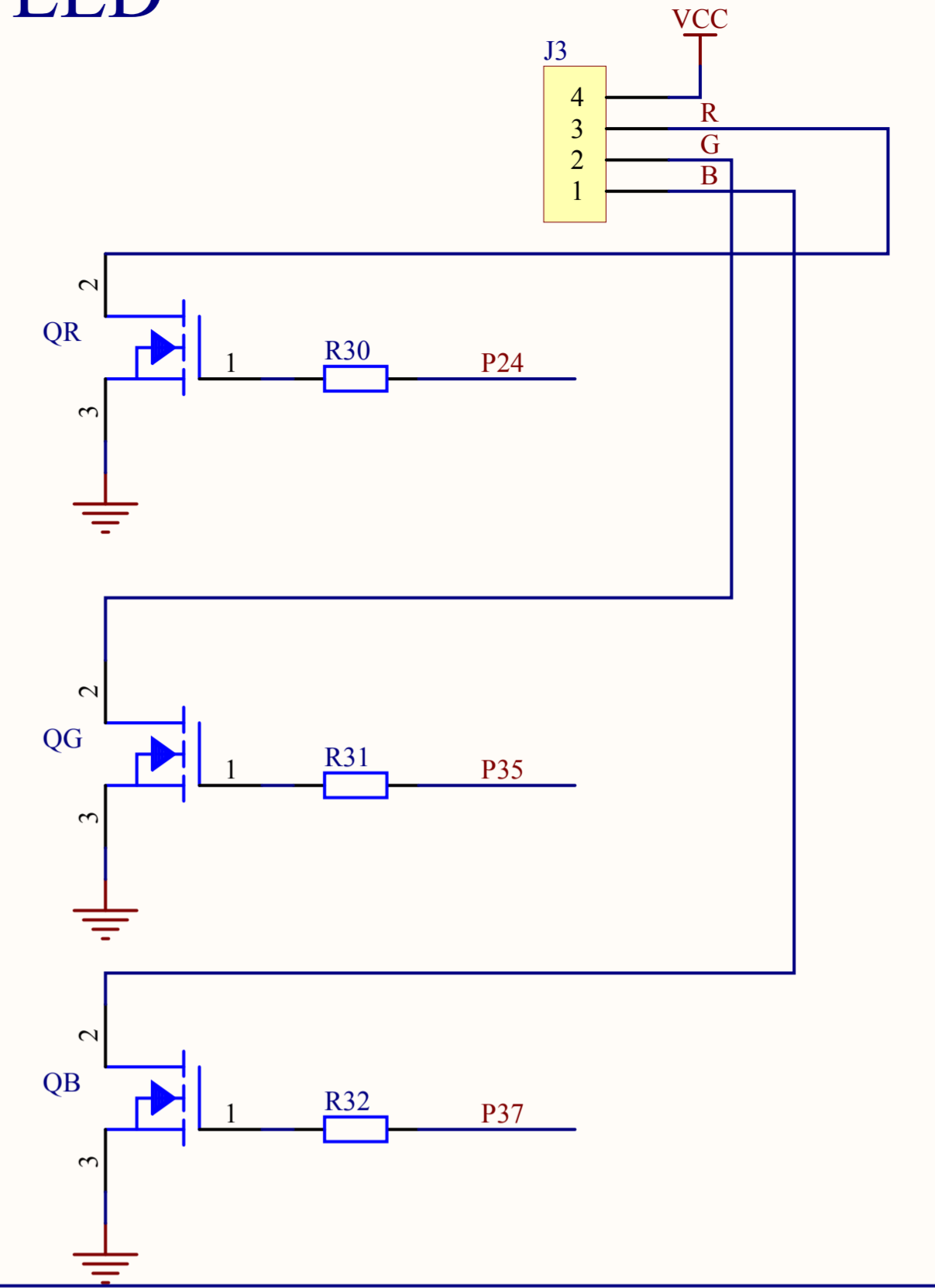


Title		
EUROLITE LED PAR-56 RGB 5mm Short		
Size	Number	Revision
A4		
Date:	2012-9-25	Sheet of
File:		

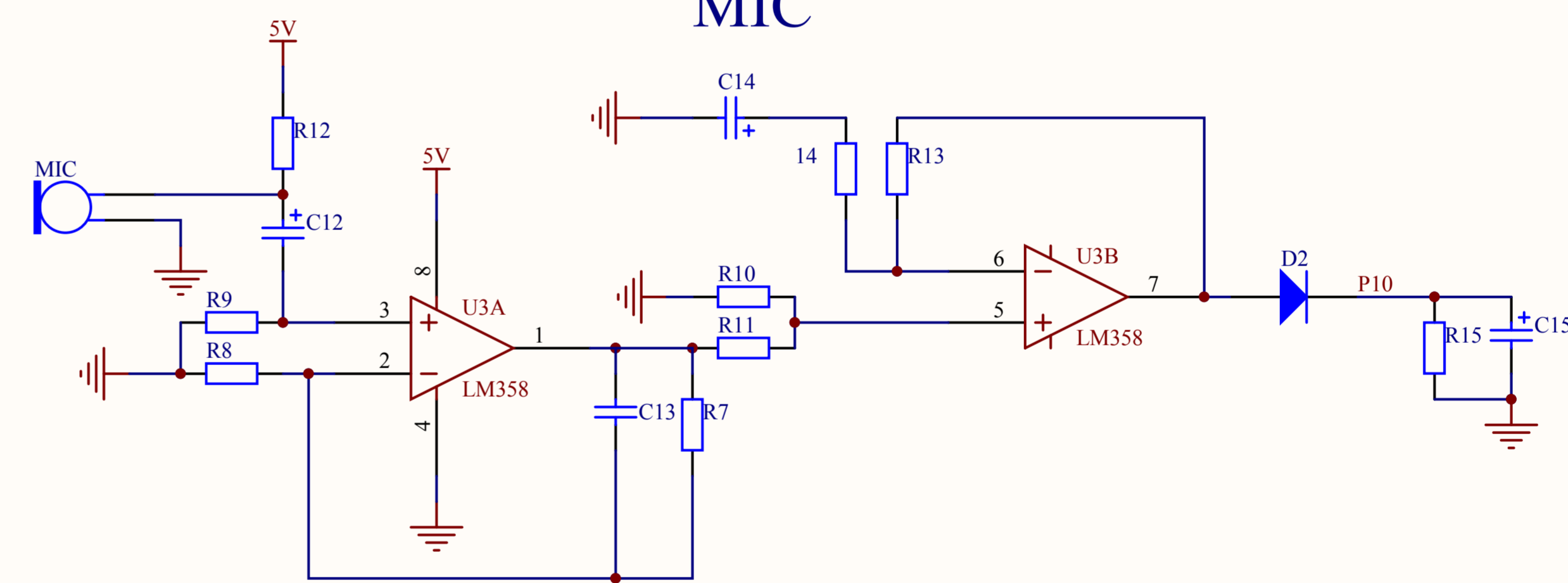
Digital display



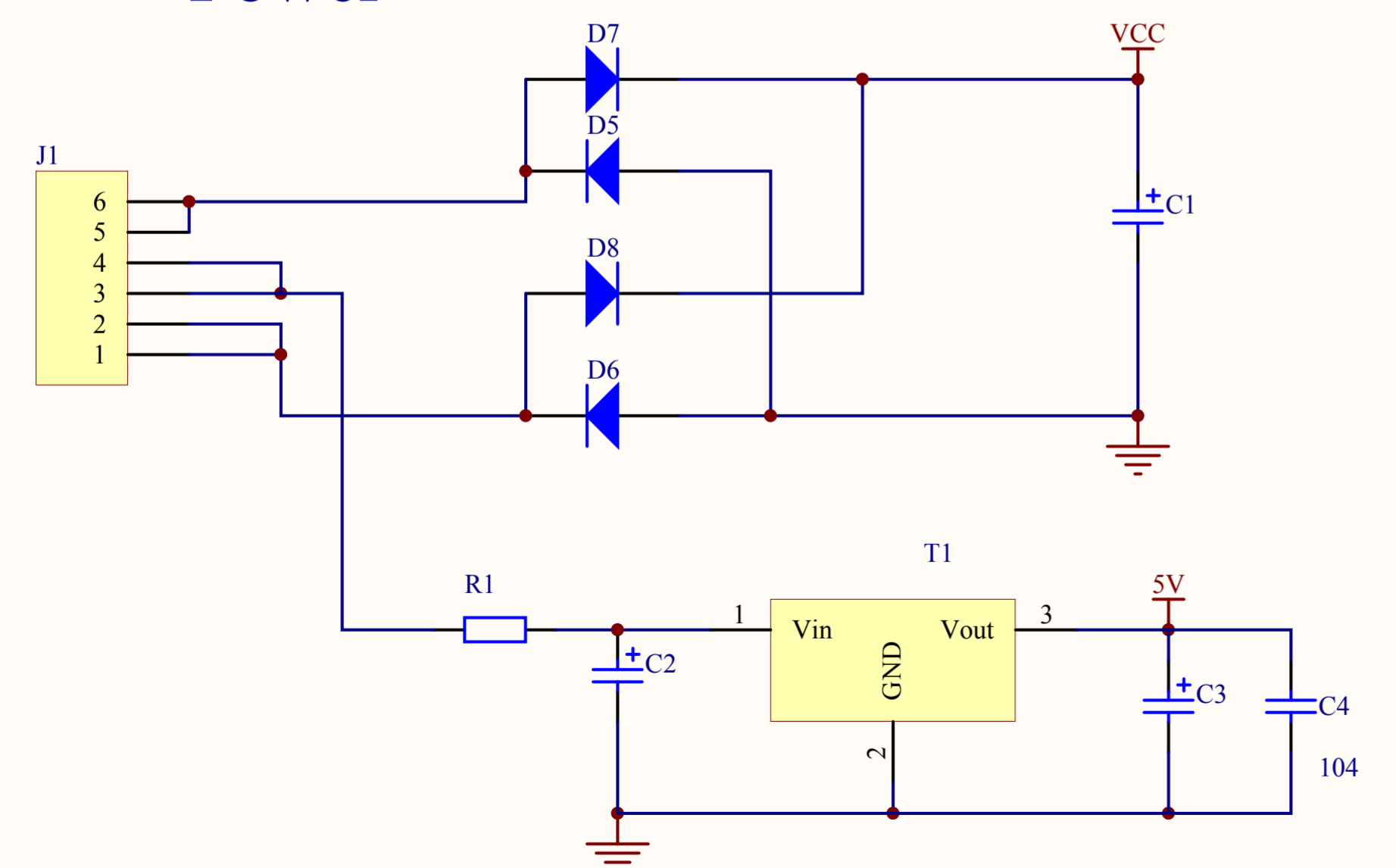
LED



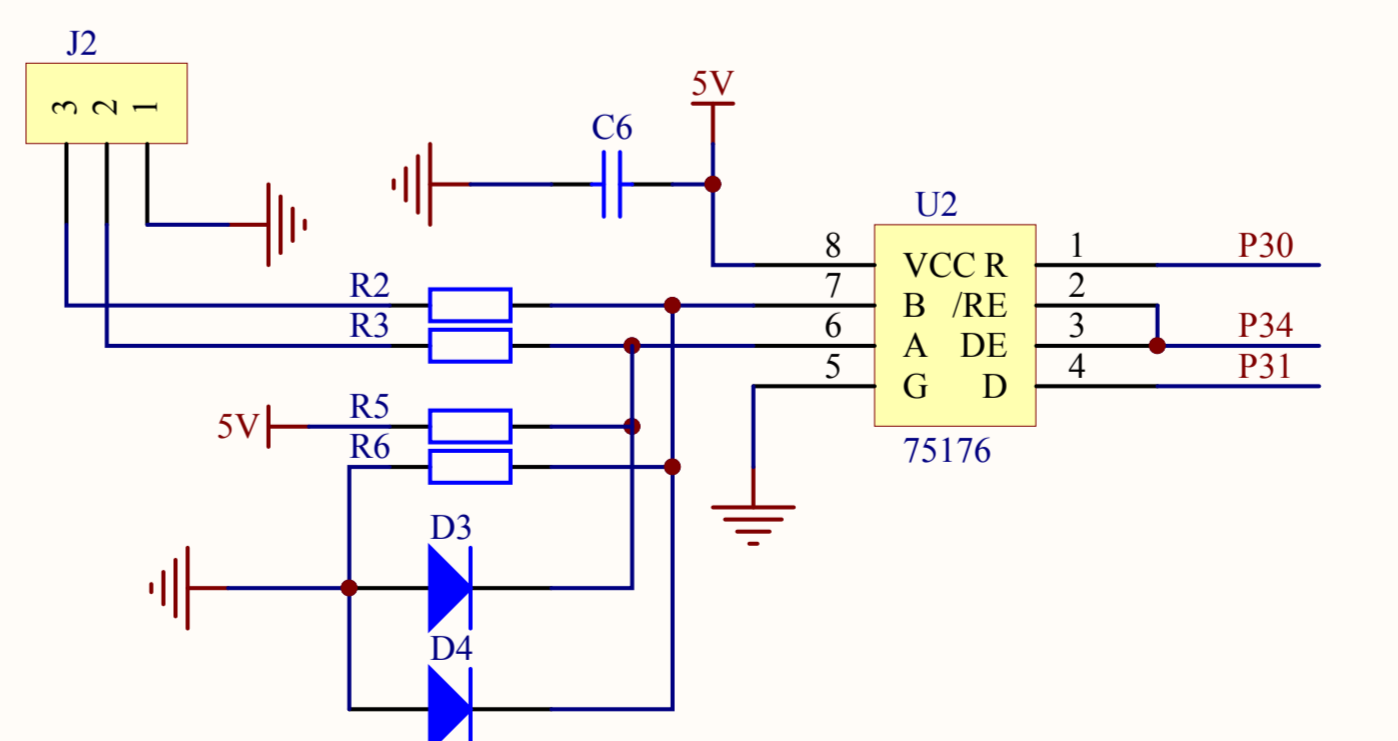
MIC



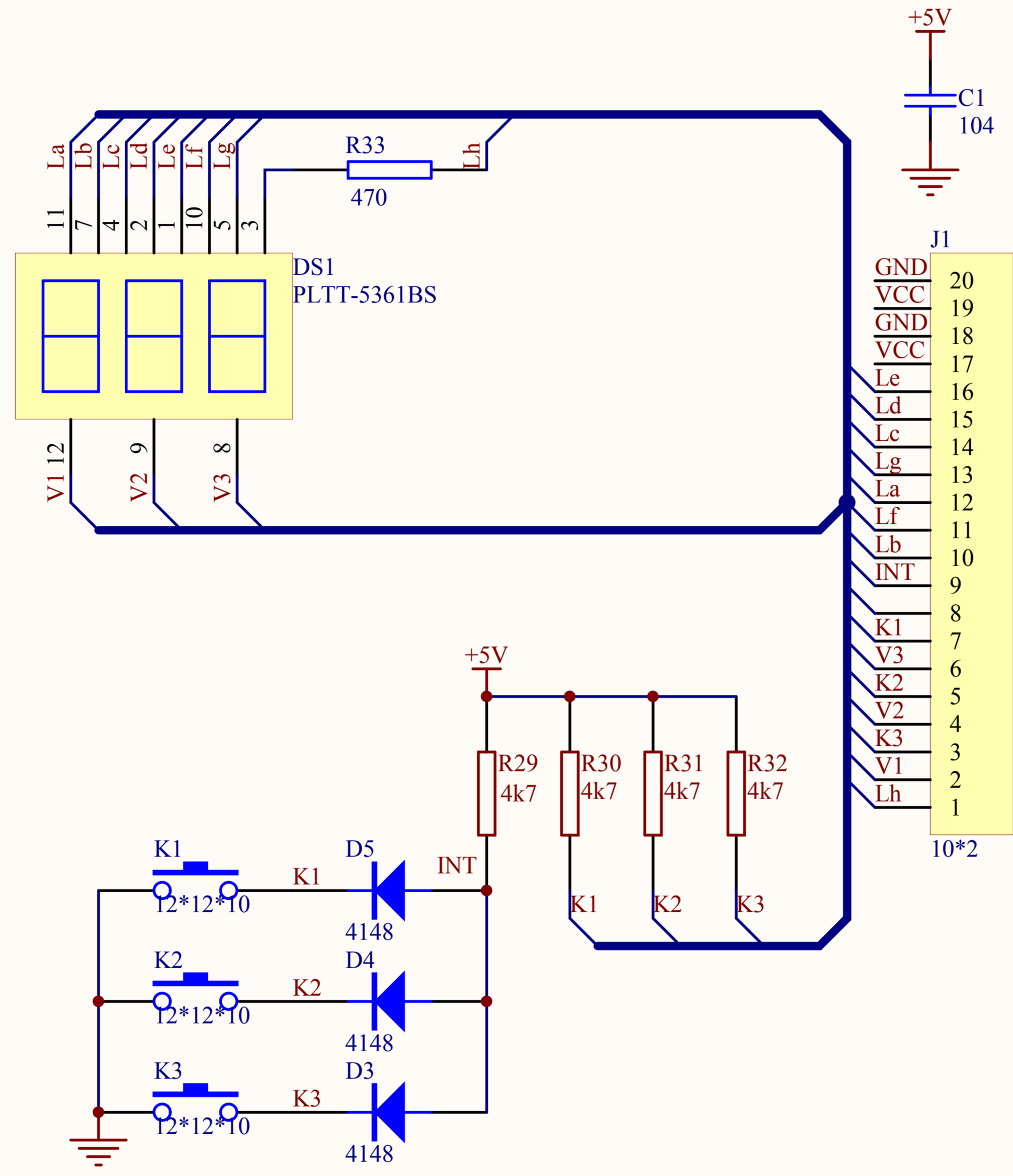
Power



DMX



Title		
EUROLITE LED PAR-56 RGB 5mm Short		
Size	Number	Revision
A3		
Date:	2012-9-20	Sheet of
File:		



EUROLITE LED PAR-56 RGB 5mm Short				993FV1.0			
993FV1.0	V1.0	2011.1.11					