

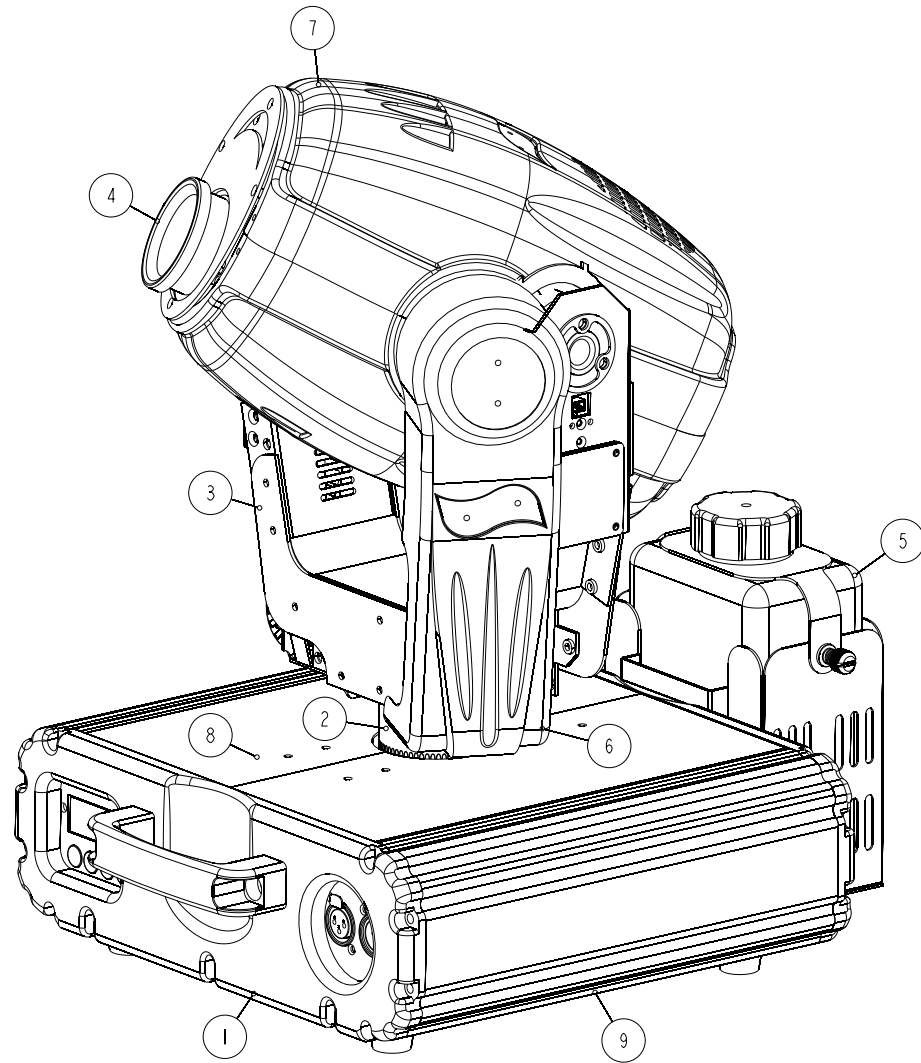
# Service manual

## PHF-1000

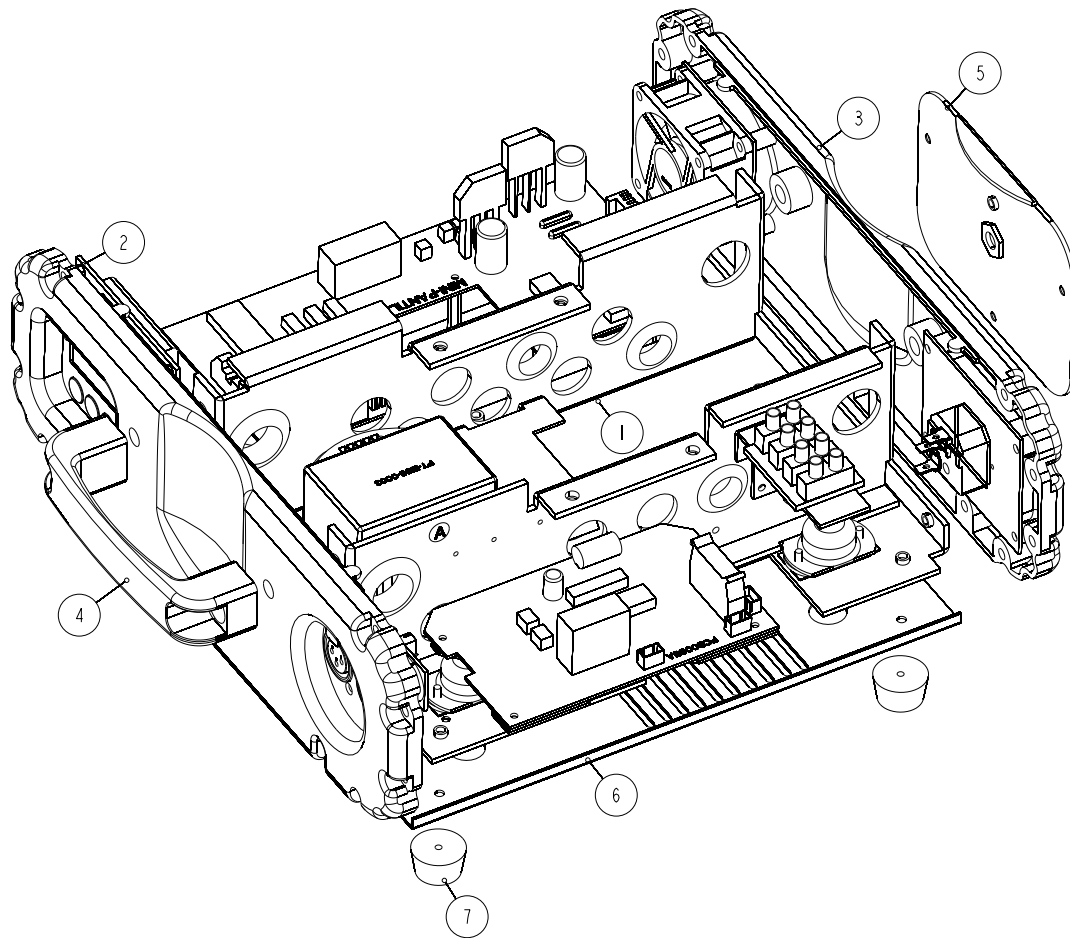
- ✘ **Exploded Diagrams**
- ✘ **Circuit Diagrams**
- ✘ **Wiring Diagrams**
- ✘ **Parts List**



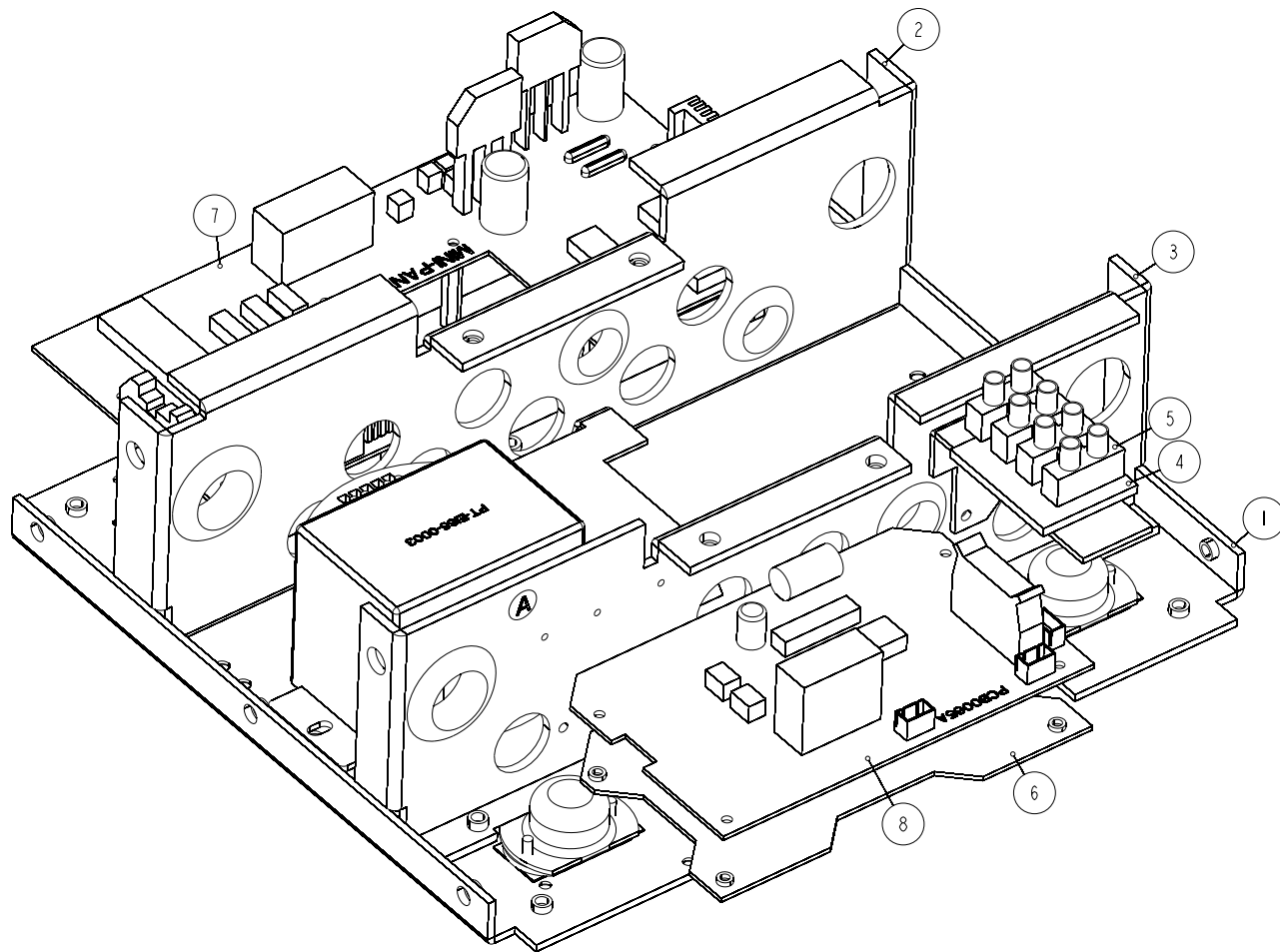
<b>PRODUCT</b>		<b>FUTURELIGHT PHF-1000</b>			
<b>PIC. NO.</b>		<b>Front Page</b>			
EDIT		FILE NO.			
CHECK		ORDER NO.			
APPROVE		VERSION	NR	SOFTWARE VER.	V1.0



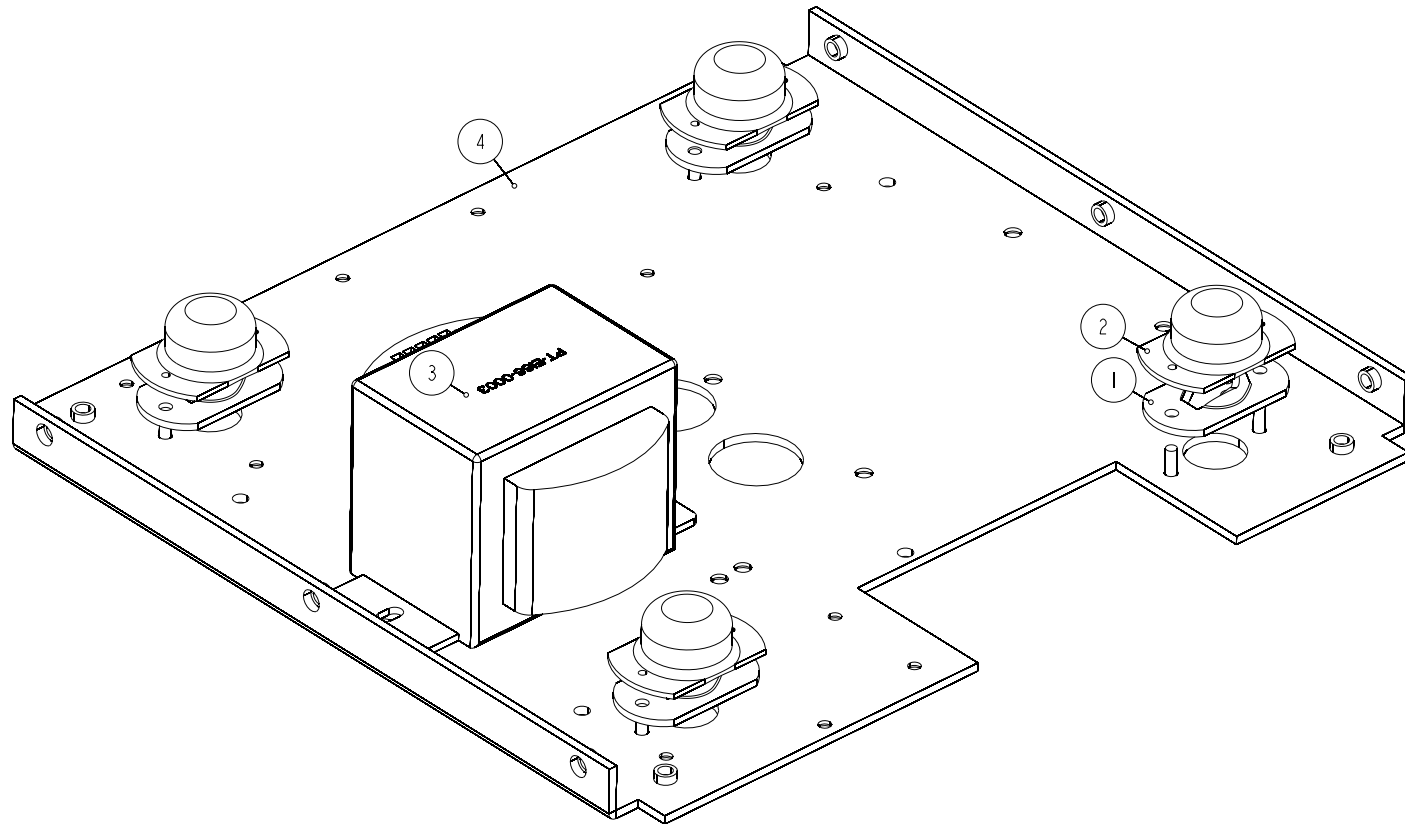
PRODUCT		<b>FUTURELIGHT PHF-1000</b>			
PIC. NO.		<b>13-0035-00-00-00</b>			
EDIT		FILE NO.		PAGE NO.	1/21
CHECK		VERSION	NR	DATE	2008.06.30
APPROVE		ECN NO.		DATE	



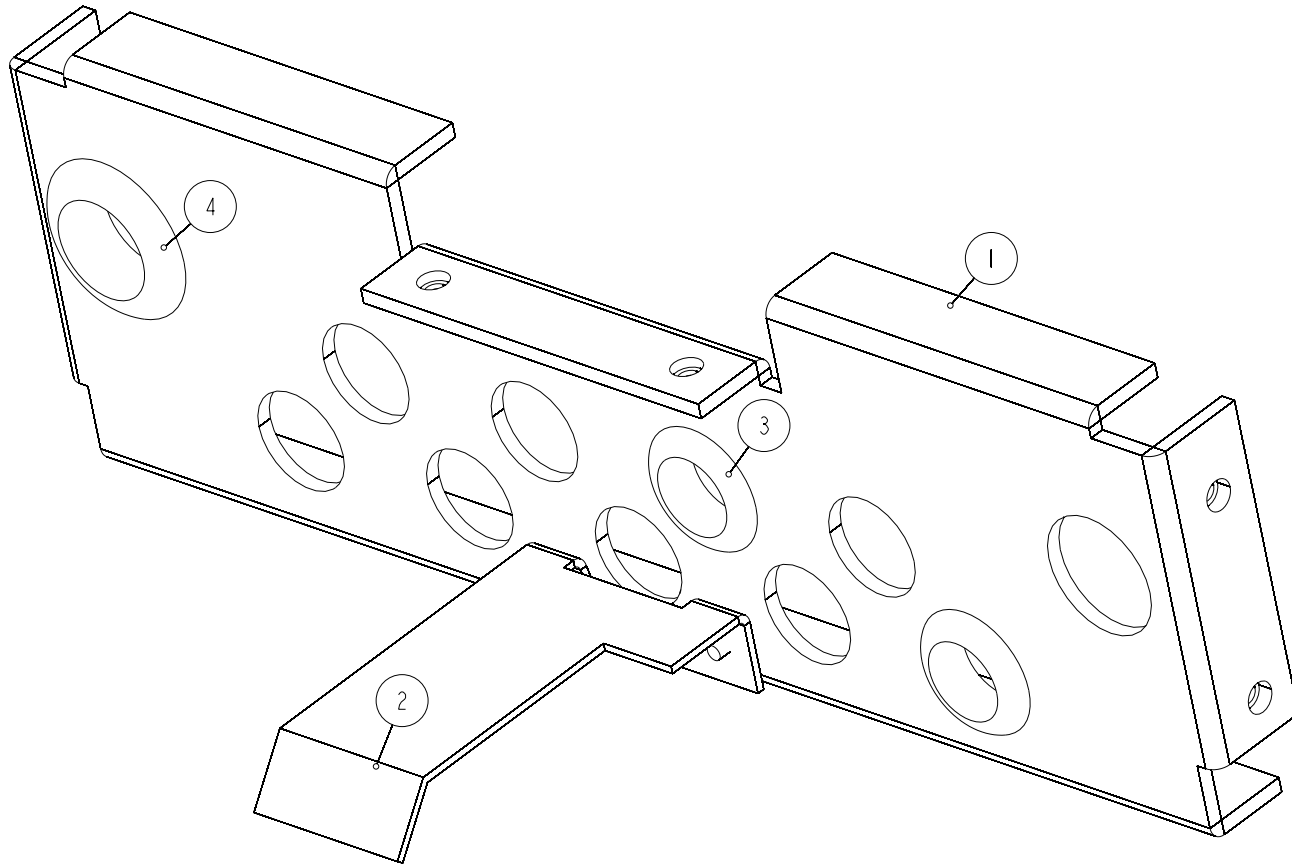
PRODUCT		<b>FUTURELIGHT PHF-1000</b>			
PIC. NO.		<b>13-0035-01-00-00</b>			
EDIT		FILE NO.		PAGE NO.	2/21
CHECK		VERSION	NR	DATE	2008.06.30
APPROVE		ECN NO.		DATE	



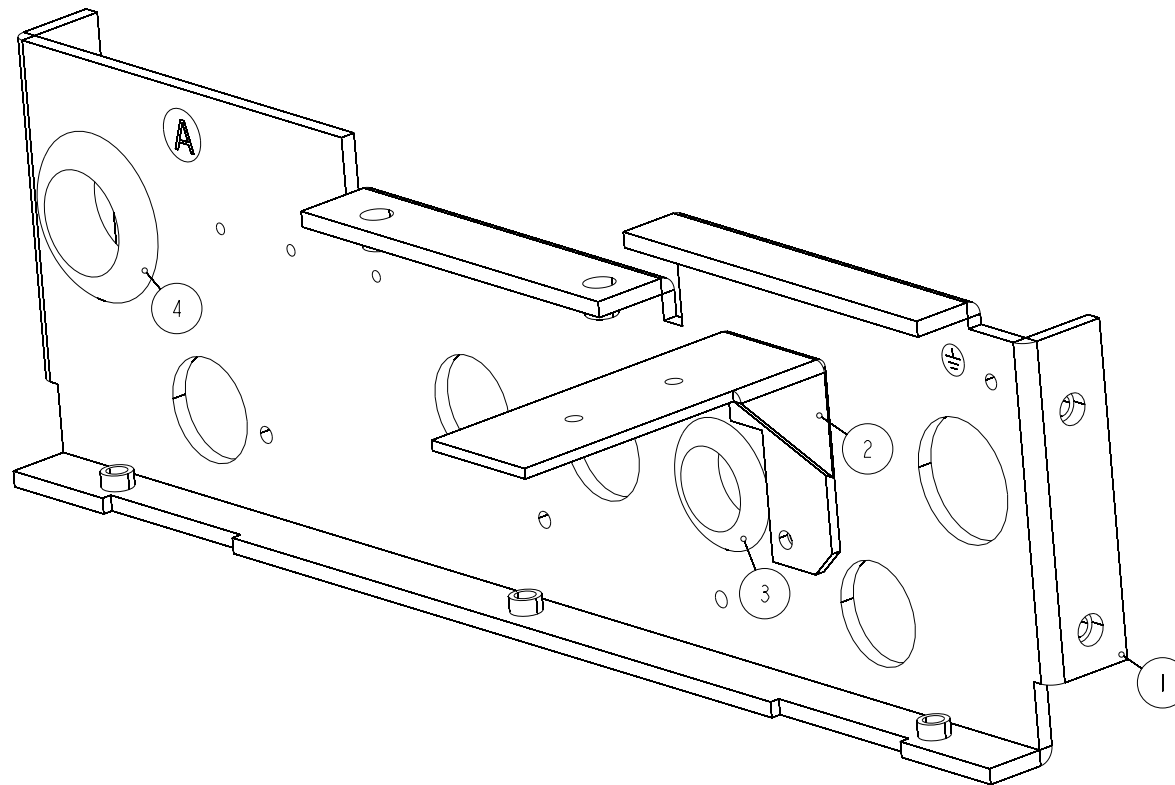
PRODUCT		<b>FUTURELIGHT PHF-1000</b>			
PIC. NO.		<b>13-0035-01-01-00</b>			
EDIT		FILE NO.		PAGE NO.	3/21
CHECK		VERSION	NR	DATE	2008.06.30
APPROVE		ECN NO.		DATE	



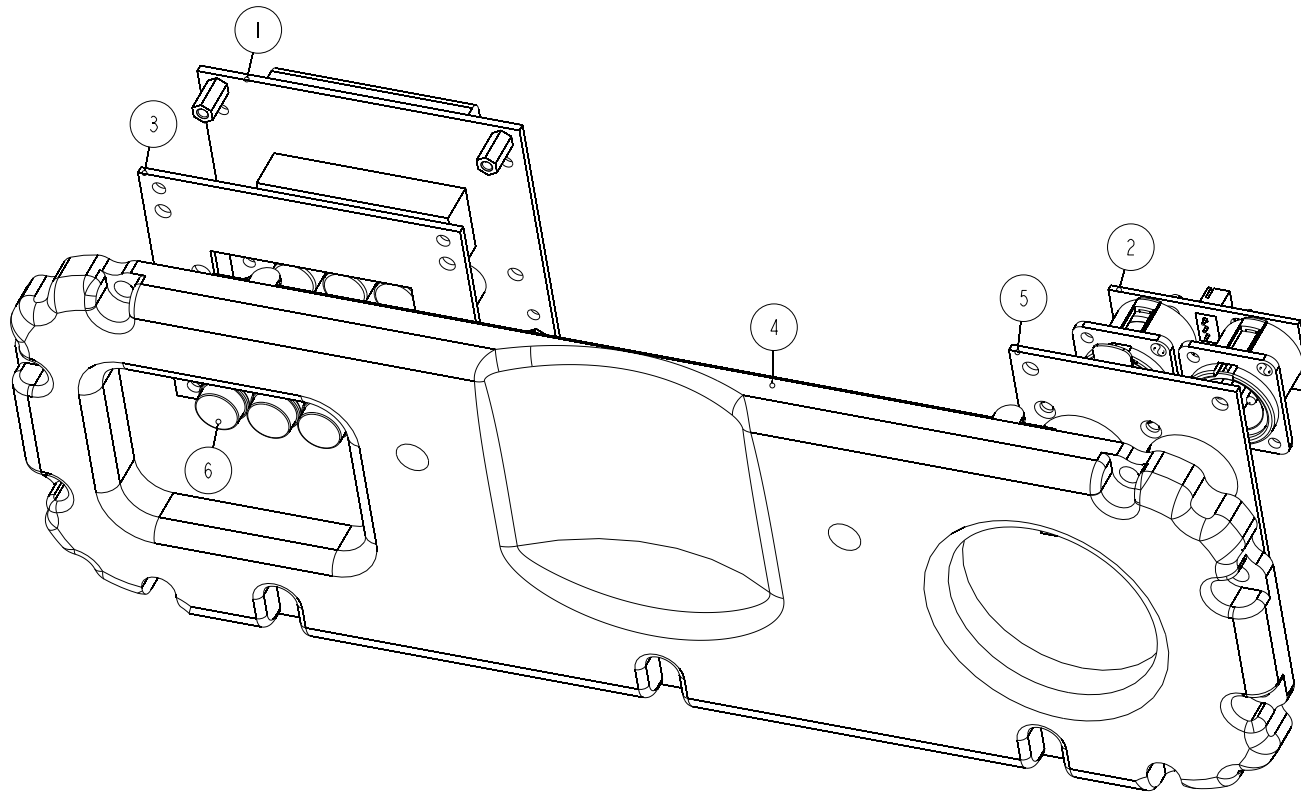
PRODUCT		<b>FUTURELIGHT PHF-1000</b>			
PIC. NO.		<b>13-0035-01-01-01</b>			
EDIT		FILE NO.		PAGE NO.	4/21
CHECK		VERSION	NR	DATE	2008.06.30
APPROVE		ECN NO.		DATE	



PRODUCT		<b>FUTURELIGHT PHF-1000</b>			
PIC. NO.		<b>10-0024-01-01-02</b>			
EDIT		FILE NO.		PAGE NO.	5/21
CHECK		VERSION	NR	DATE	2008.06.30
APPROVE		ECN NO.		DATE	

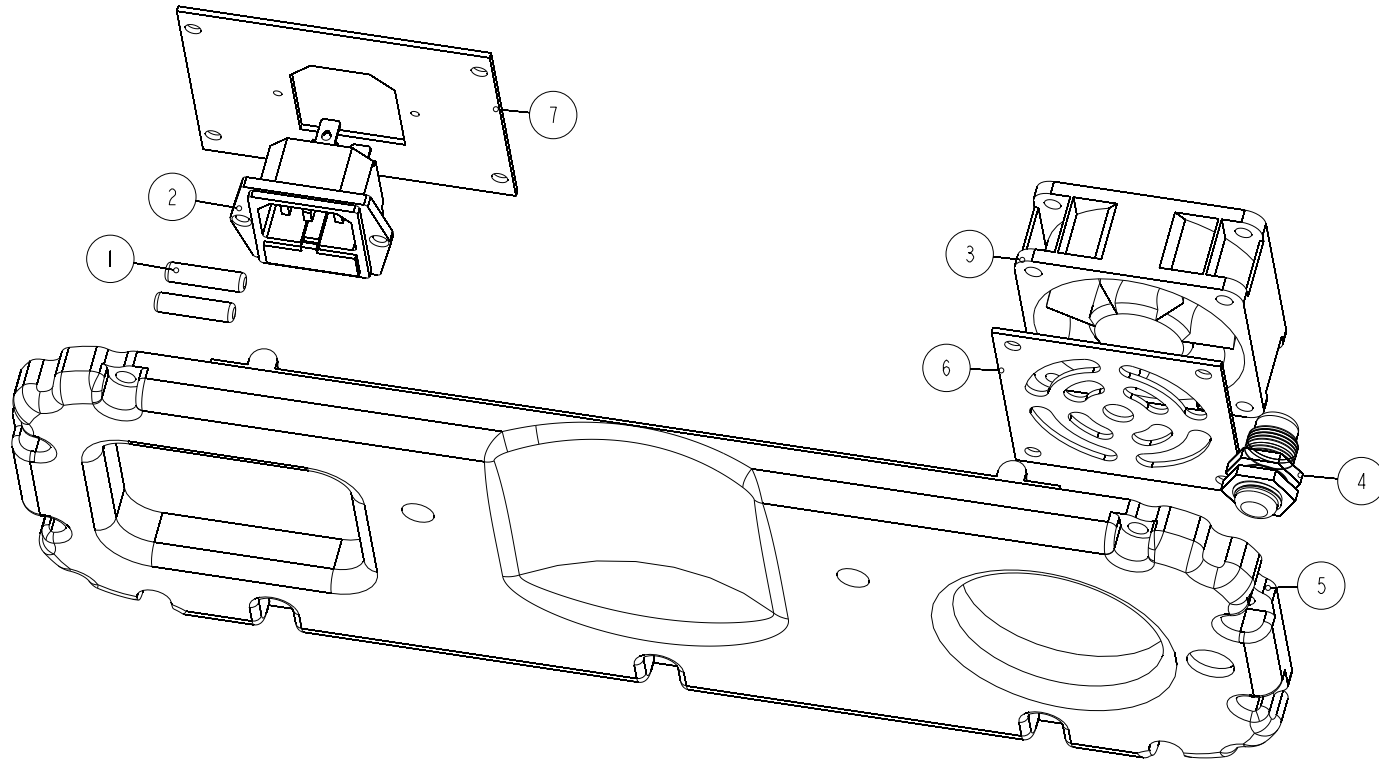


PRODUCT		<b>FUTURELIGHT PHF-1000</b>			
PIC. NO.		<b>10-0024-01-01-03</b>			
EDIT		FILE NO.		PAGE NO.	6/21
CHECK		VERSION	NR	DATE	2008.06.30
APPROVE		ECN NO.		DATE	

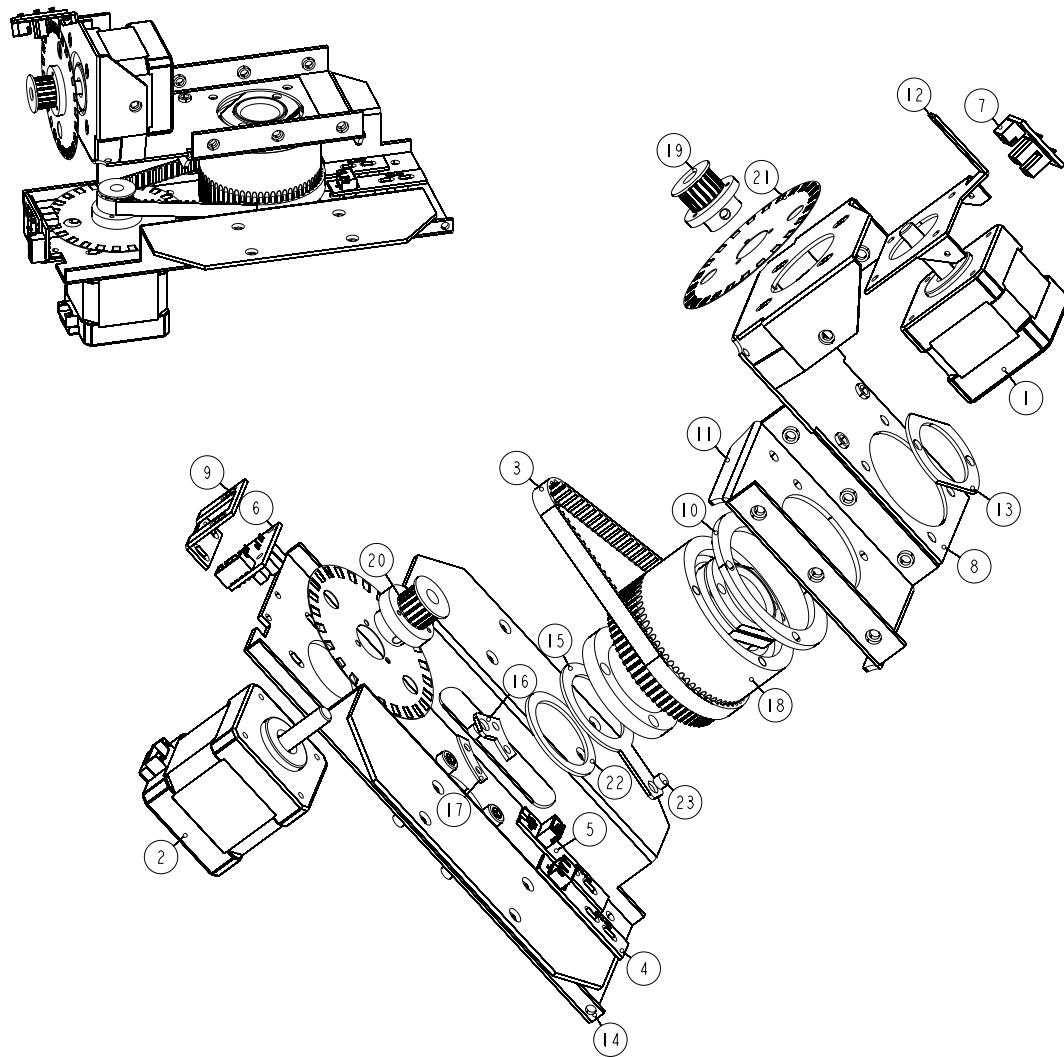


PRODUCT		<b>FUTURELIGHT PHF-1000</b>			
PIC. NO.		<b>13-0035-01-02-00</b>			
EDIT		FILE NO.		PAGE NO.	7/21
CHECK		VERSION	NR	DATE	2008.06.30
APPROVE		ECN NO.		DATE	

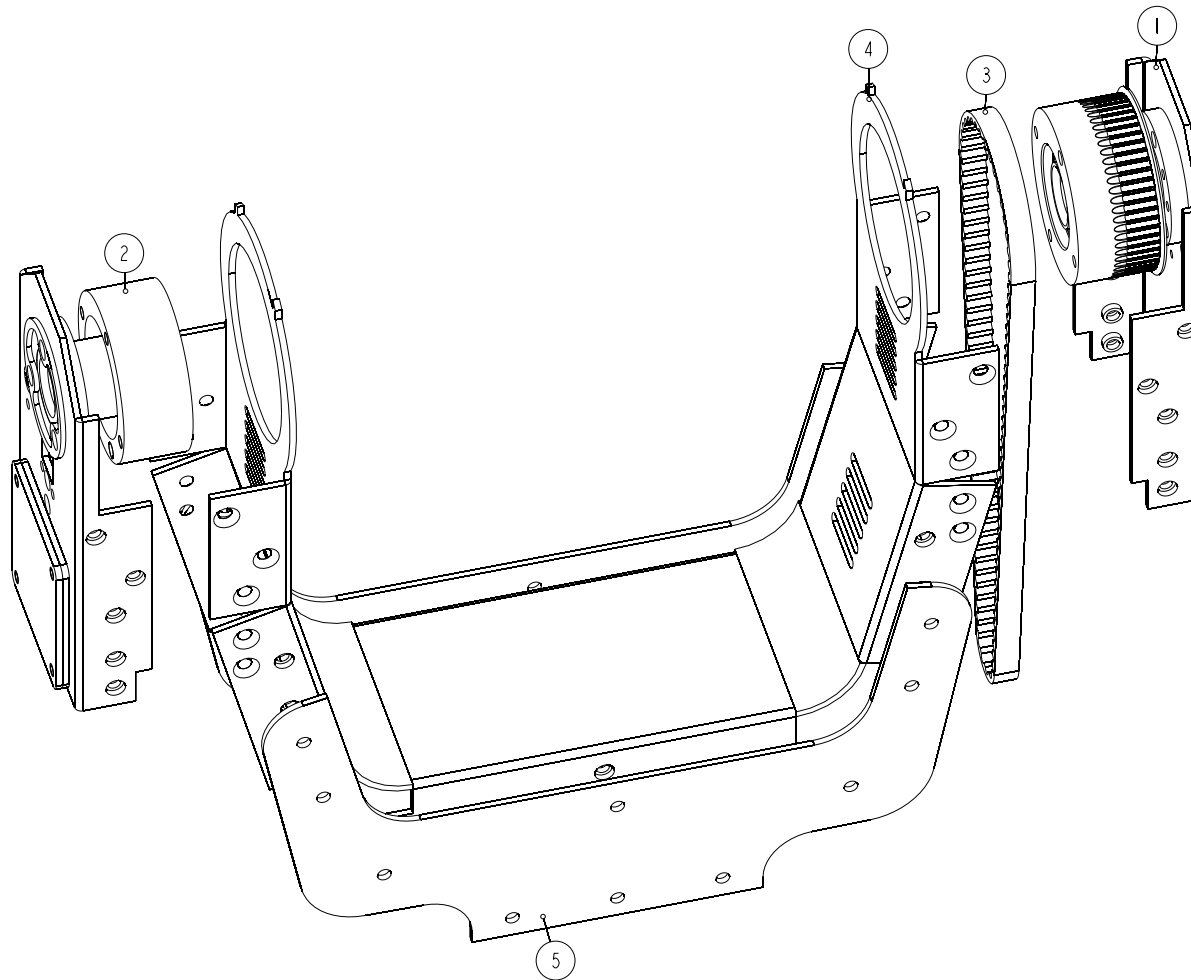




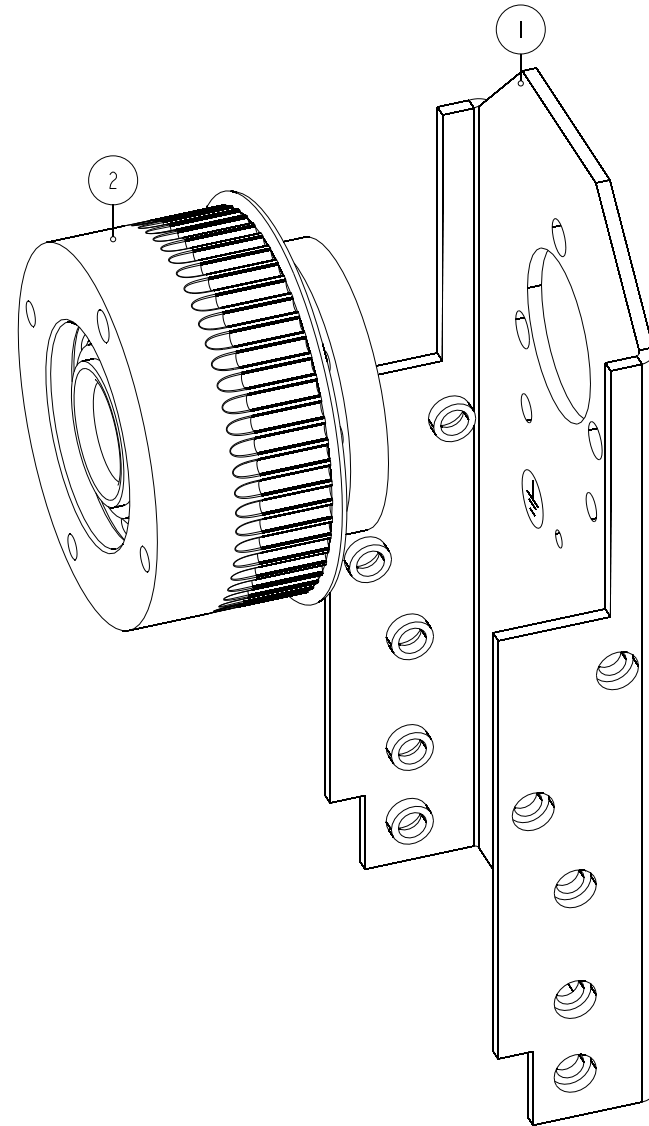
PRODUCT		<b>FUTURELIGHT PHF-1000</b>			
PIC. NO.		<b>13-0035-01-03-00</b>			
EDIT		FILE NO.		PAGE NO.	8/21
CHECK		VERSION	NR	DATE	2008.06.30
APPROVE		ECN NO.		DATE	



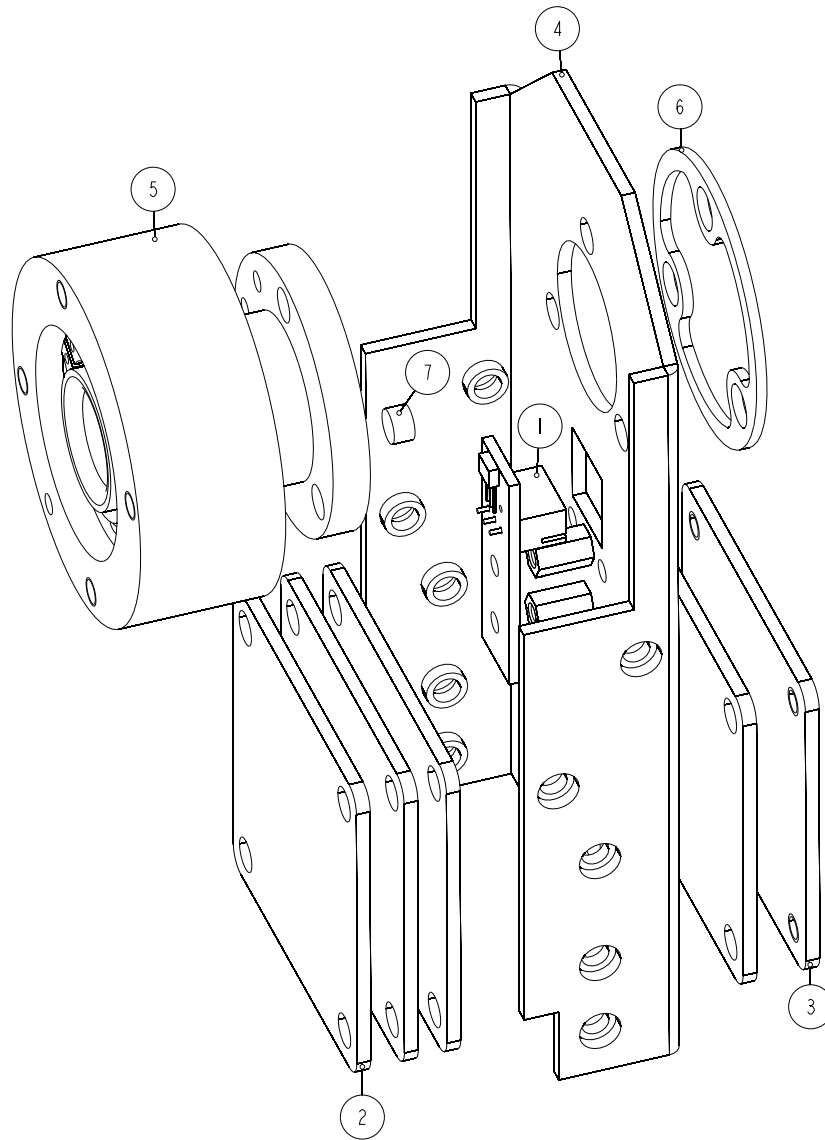
PRODUCT		<b>FUTURELIGHT PHF-1000</b>			
PIC. NO.		<b>10-0024-02-00-00</b>			
EDIT		FILE NO.		PAGE NO.	9/21
CHECK		VERSION	NR	DATE	2008.06.30
APPROVE		ECN NO.		DATE	



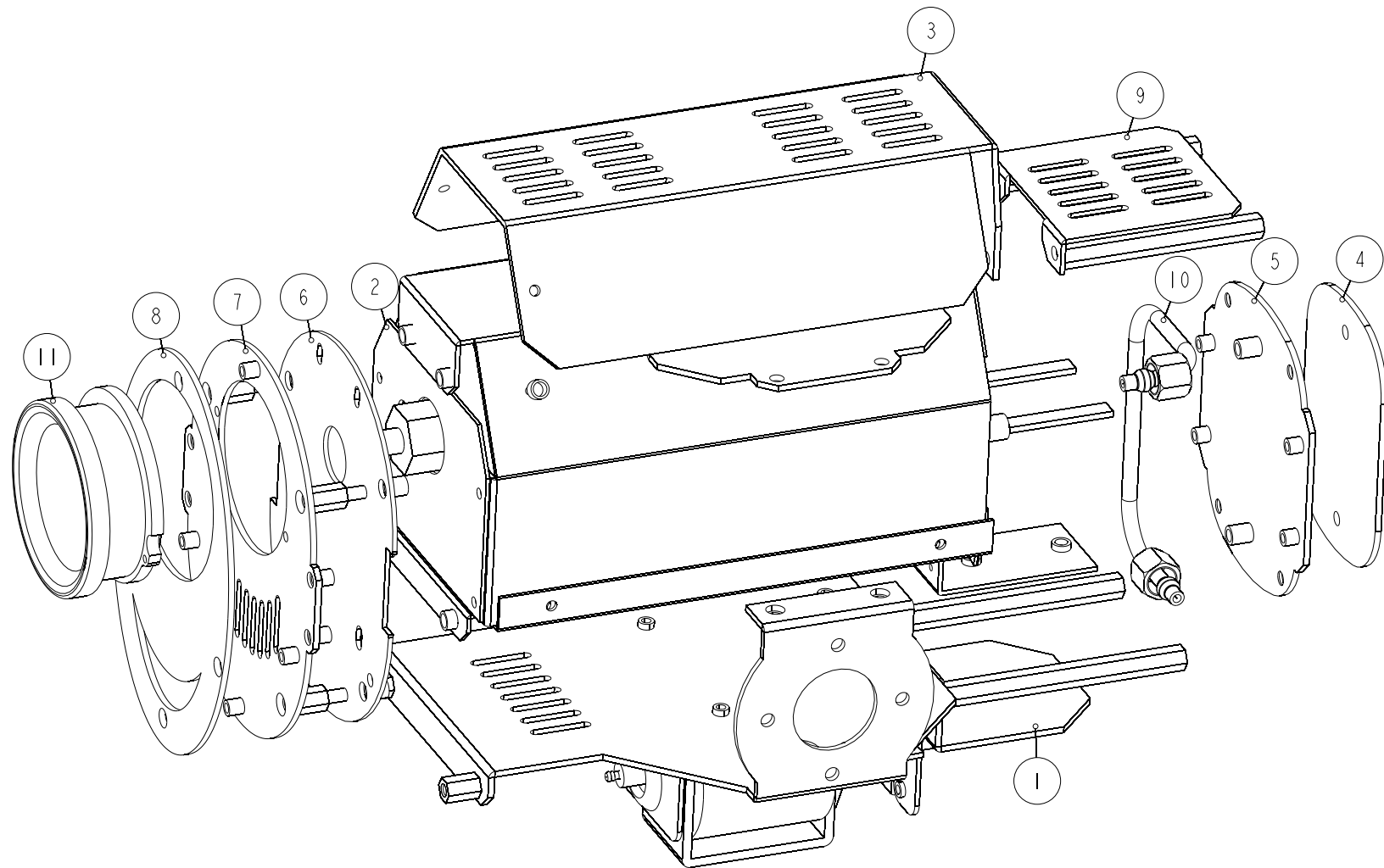
PRODUCT		<b>FUTURELIGHT PHF-1000</b>			
PIC. NO.		<b>10-0024-03-00-00</b>			
EDIT		FILE NO.		PAGE NO.	10/21
CHECK		VERSION	NR	DATE	2008.06.30
APPROVE		ECN NO.		DATE	



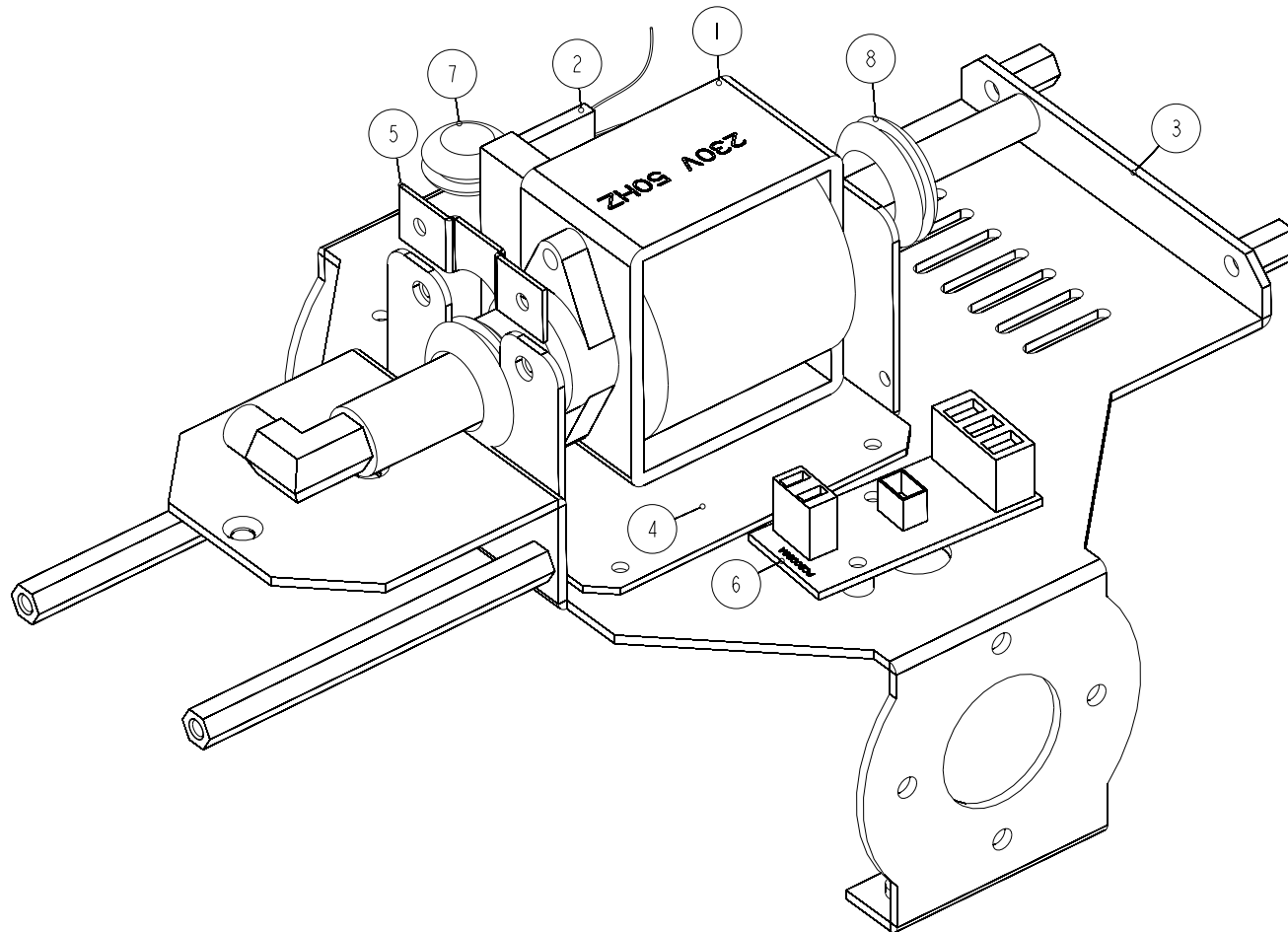
PRODUCT		<b>FUTURELIGHT PHF-1000</b>			
PIC. NO.		<b>10-0001-03-01-00</b>			
EDIT		FILE NO.		PAGE NO.	11/21
CHECK		VERSION	NR	DATE	2008.06.30
APPROVE		ECN NO.		DATE	



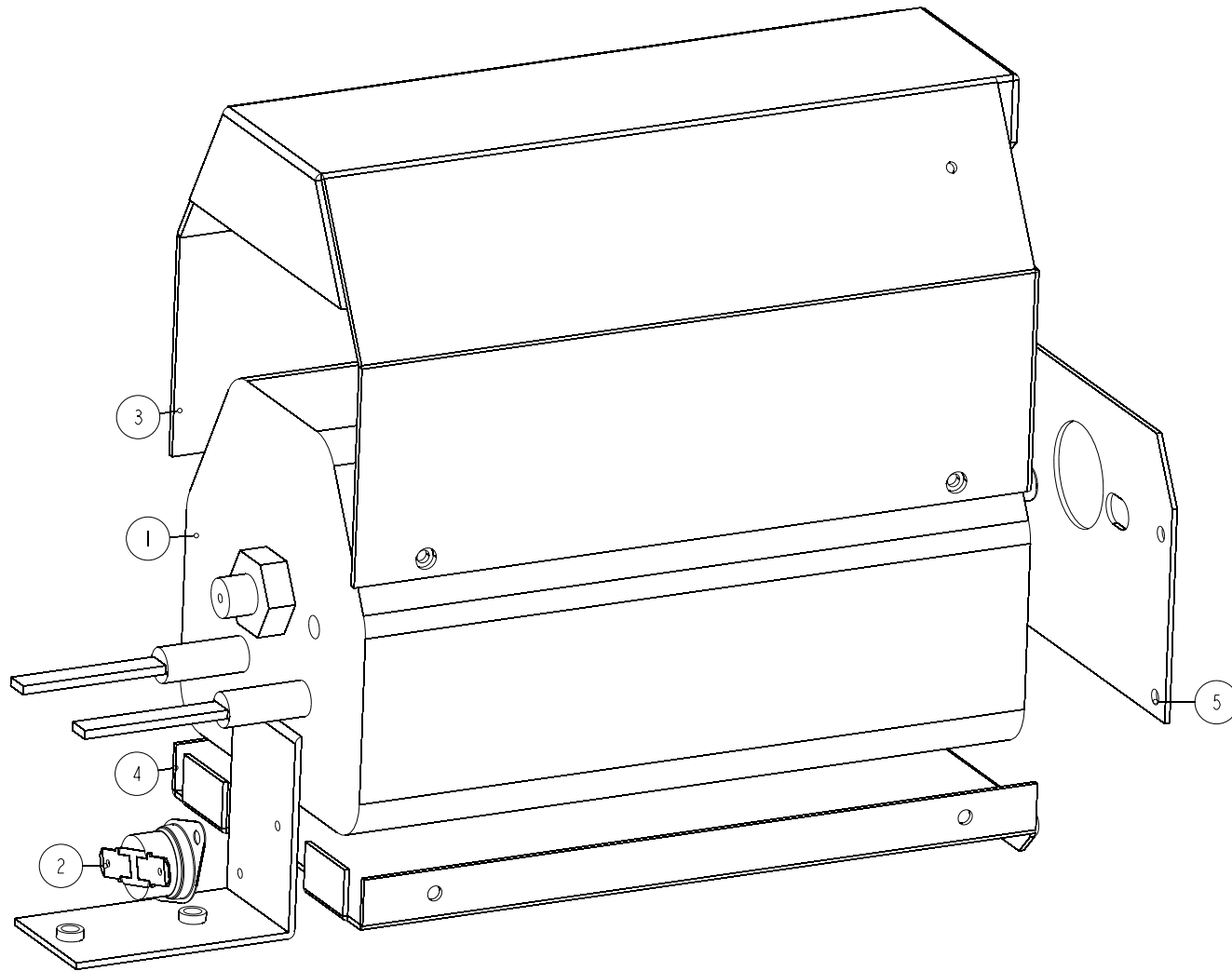
PRODUCT		<b>FUTURELIGHT PHF-1000</b>			
PIC. NO.		<b>10-0024-03-02-00</b>			
EDIT		FILE NO.		PAGE NO.	12/21
CHECK		VERSION	NR	DATE	2008.06.30
APPROVE		ECN NO.		DATE	



PRODUCT		<b>FUTURELIGHT PHF-1000</b>			
PIC. NO.		<b>13-0035-04-00-00</b>			
EDIT		FILE NO.		PAGE NO.	13/21
CHECK		VERSION	NR	DATE	2008.06.30
APPROVE		ECN NO.		DATE	

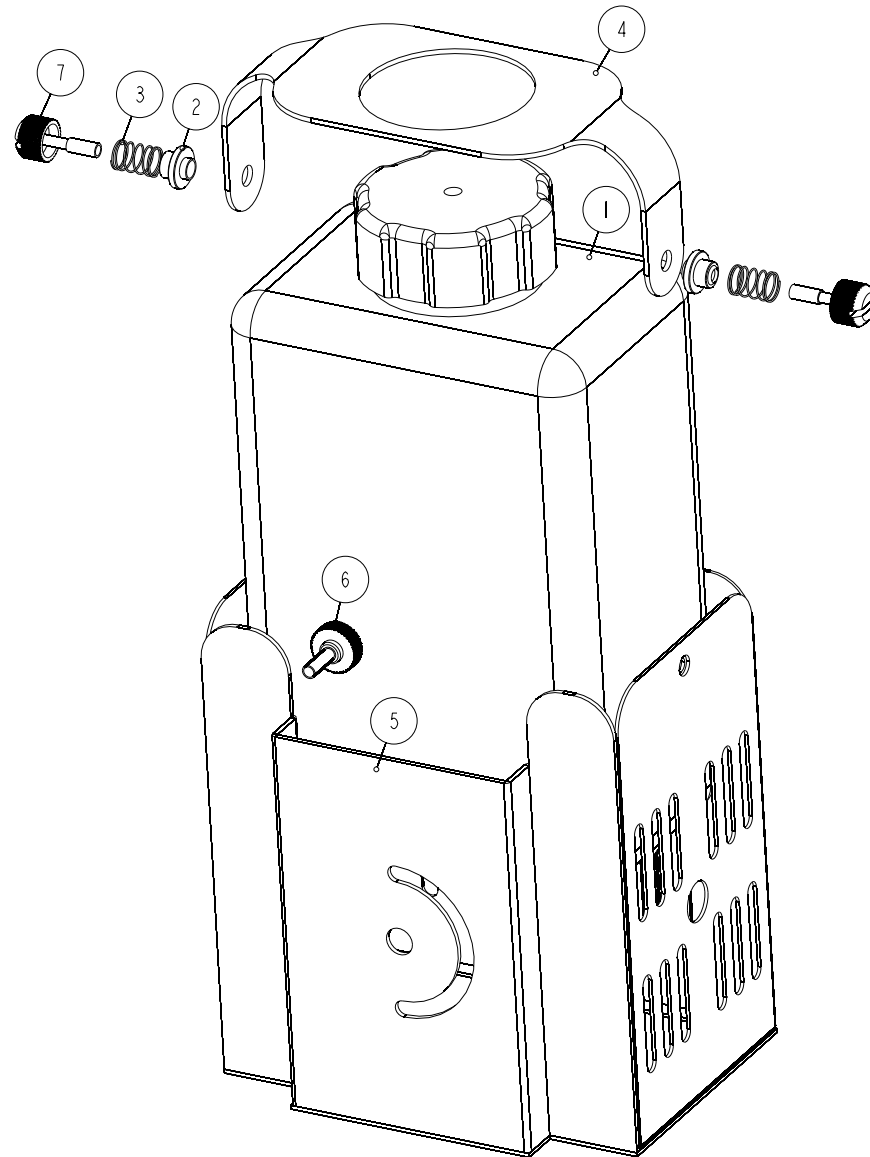


PRODUCT		<b>FUTURELIGHT PHF-1000</b>			
PIC. NO.		<b>13-0035-04-01-00</b>			
EDIT		FILE NO.		PAGE NO.	14/21
CHECK		VERSION	NR	DATE	2008.06.30
APPROVE		ECN NO.		DATE	

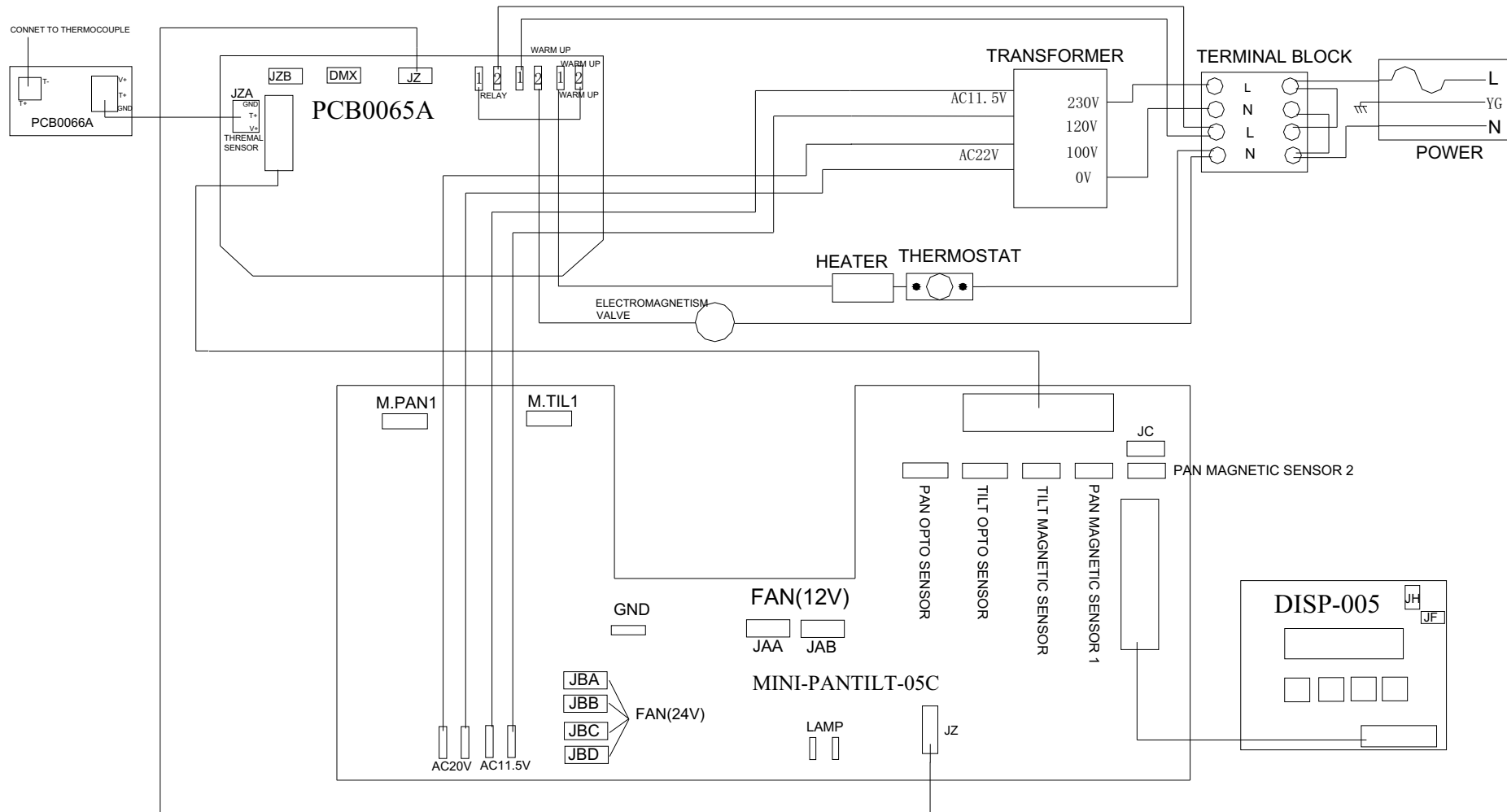


PRODUCT		<b>FUTURELIGHT PHF-1000</b>			
PIC. NO.		<b>13-0035-04-02-00</b>			
EDIT		FILE NO.		PAGE NO.	15/21
CHECK		VERSION	NR	DATE	2008.06.30
APPROVE		ECN NO.		DATE	

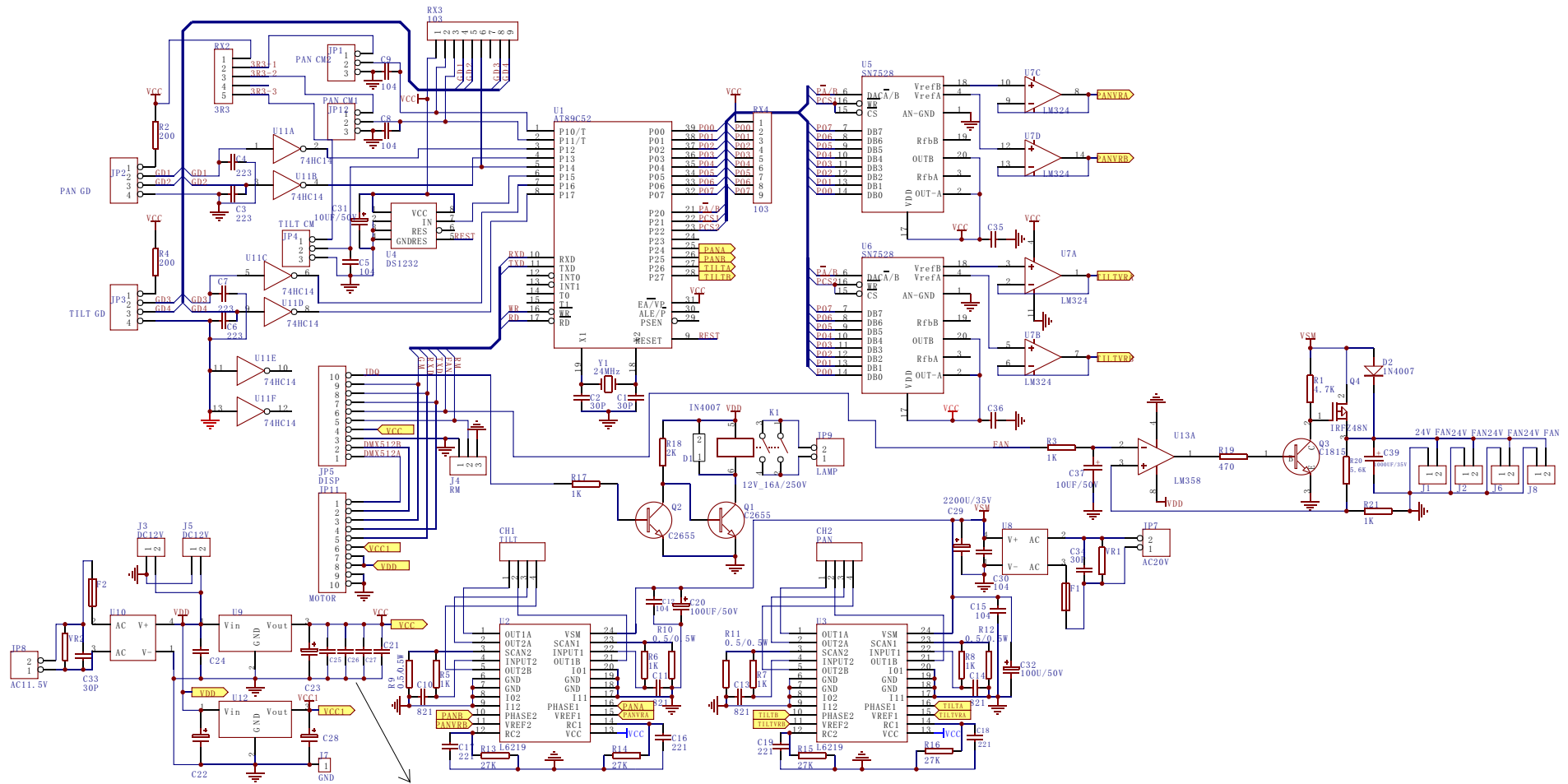




PRODUCT		<b>FUTURELIGHT PHF-1000</b>			
PIC. NO.		<b>10-0024-05-00-00</b>			
EDIT		FILE NO.		PAGE NO.	16/21
CHECK		VERSION	NR	DATE	2008.06.30
APPROVE		ECN NO.		DATE	

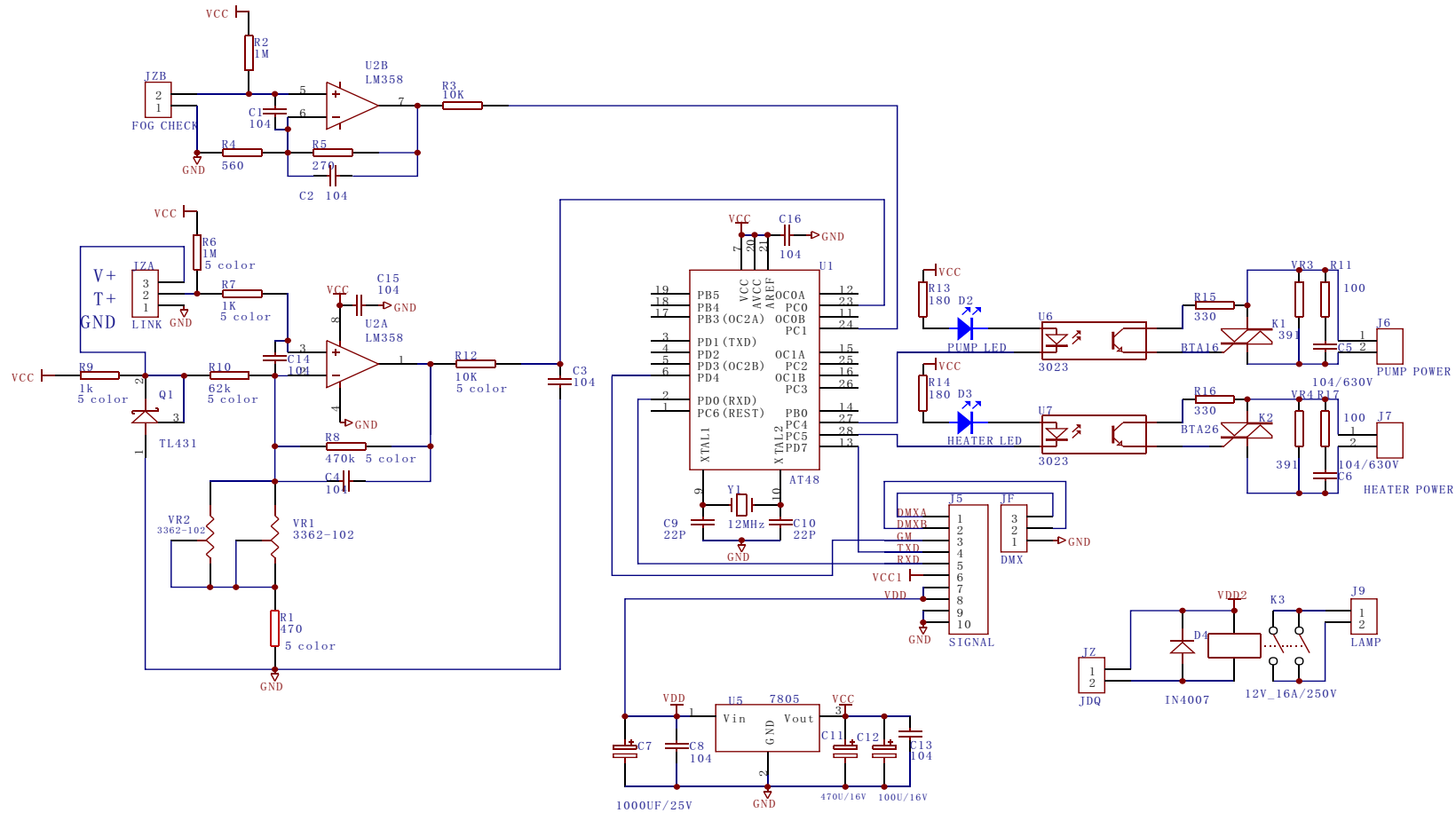


PRODUCT		FUTURELIGHT PHF-1000			
PIC. NO.		MFOG-01 ELECTRIC			
EDIT		FILE NO.		PAGE NO.	17/21
CHECK		VERSION	NR	DATE	2008.06.30
APPROVE		ECN NO.		DATE	

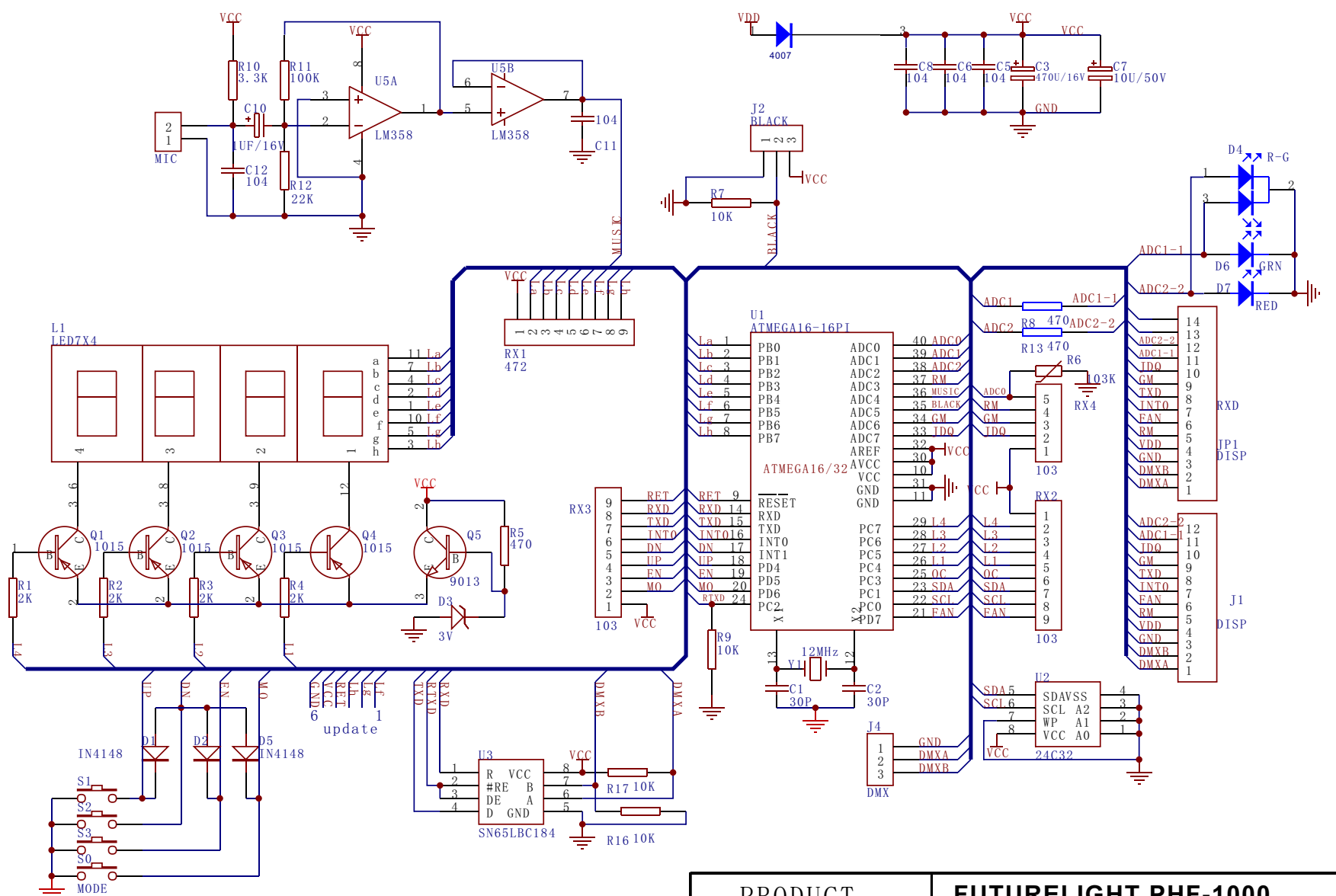


The capacitance of the C21, C24, C25, C26, C27 is 104,  
and the C22, C23, C28 is 2200UF/25V

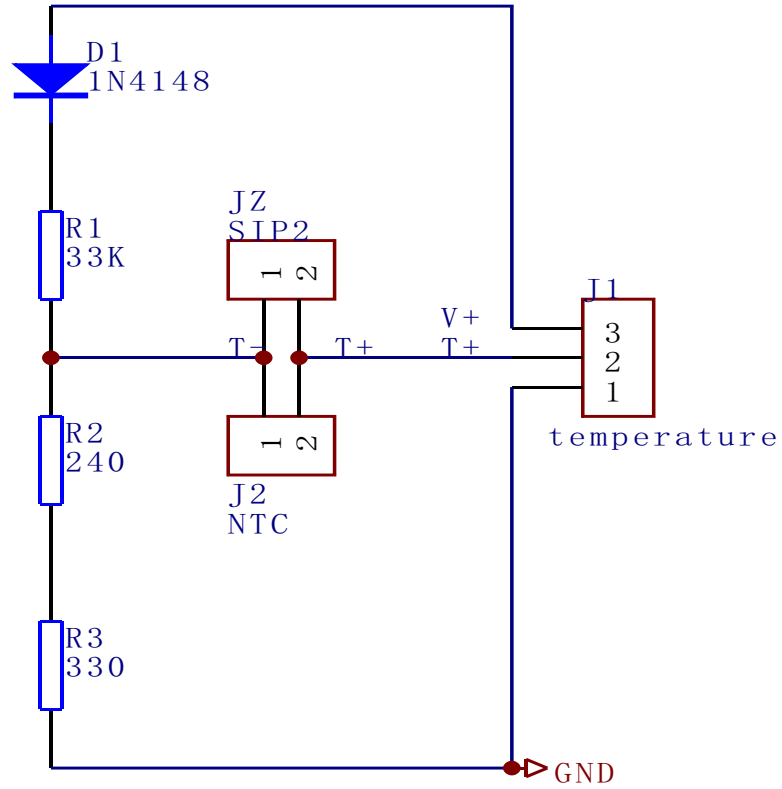
PRODUCT		FUTURELIGHT PHF-1000		
PIC. NO.		MINI-PANTILT-05C SCHEME		
EDIT		FILE NO.	PAGE NO.	18/21
CHECK		VERSION	DATE	2008.06.30
APPROVE		ECN NO.	DATE	



PRODUCT		FUTURELIGHT PHF-1000			
PIC. NO.		PCB0065A SCHEME			
EDIT		FILE NO.		PAGE NO.	19/21
CHECK		VERSION	NR	DATE	2008.06.30
APPROVE		ECN NO.		DATE	



PRODUCT		FUTURELIGHT PHF-1000			
PIC. NO.		DISP-005 SCHEME			
EDIT		FILE NO.		PAGE NO.	20/21
CHECK		VERSION	NR	DATE	2008.06.30
APPROVE		ECN NO.		DATE	



PRODUCT		FUTURELIGHT PHF-1000			
PIC. NO.		PCB0066A SCHEME			
EDIT		FILE NO.		PAGE NO.	21/21
CHECK		VERSION	NR	DATE	2008.06.30
APPROVE		ECN NO.		DATE	