

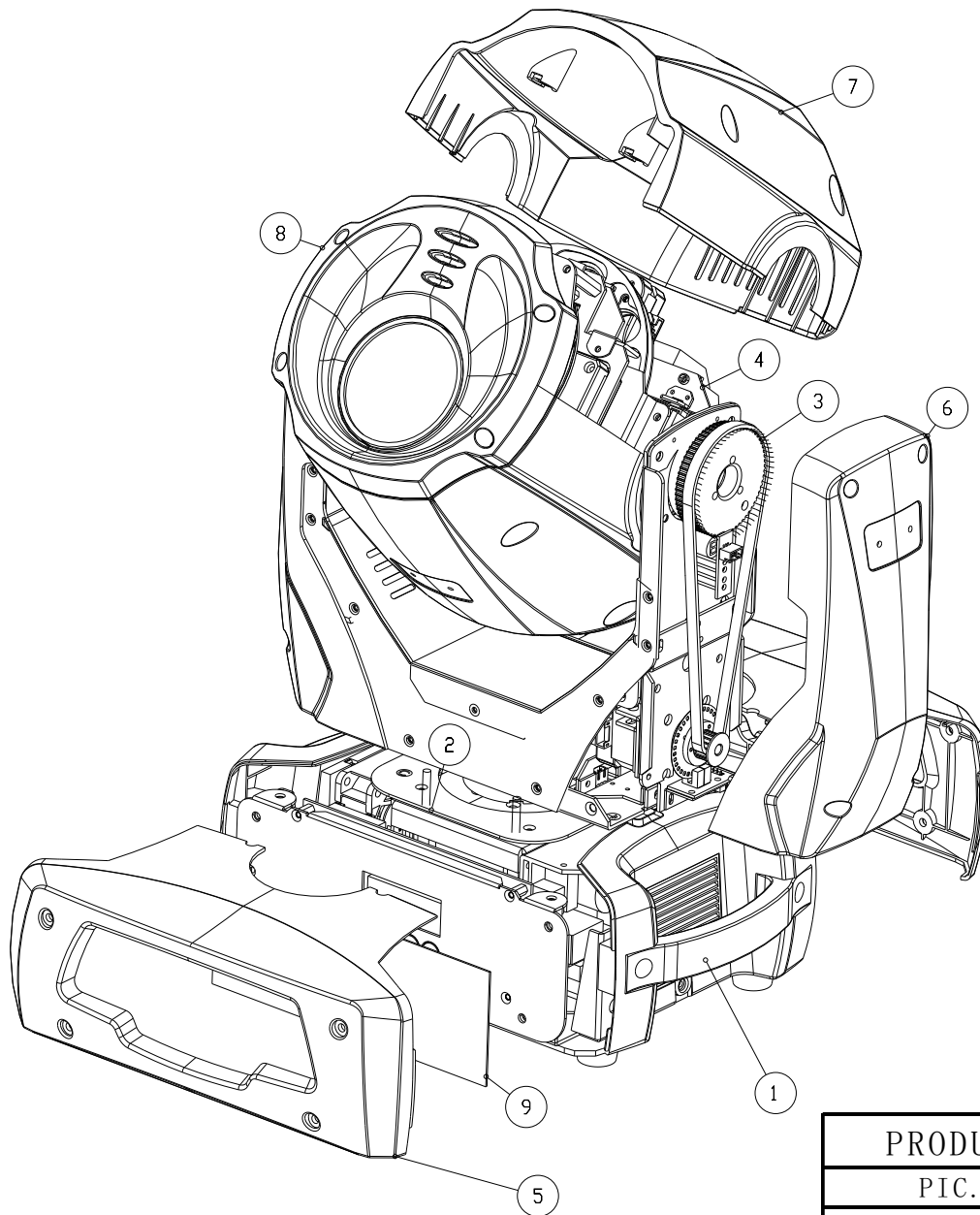
Service manual

DMH-40

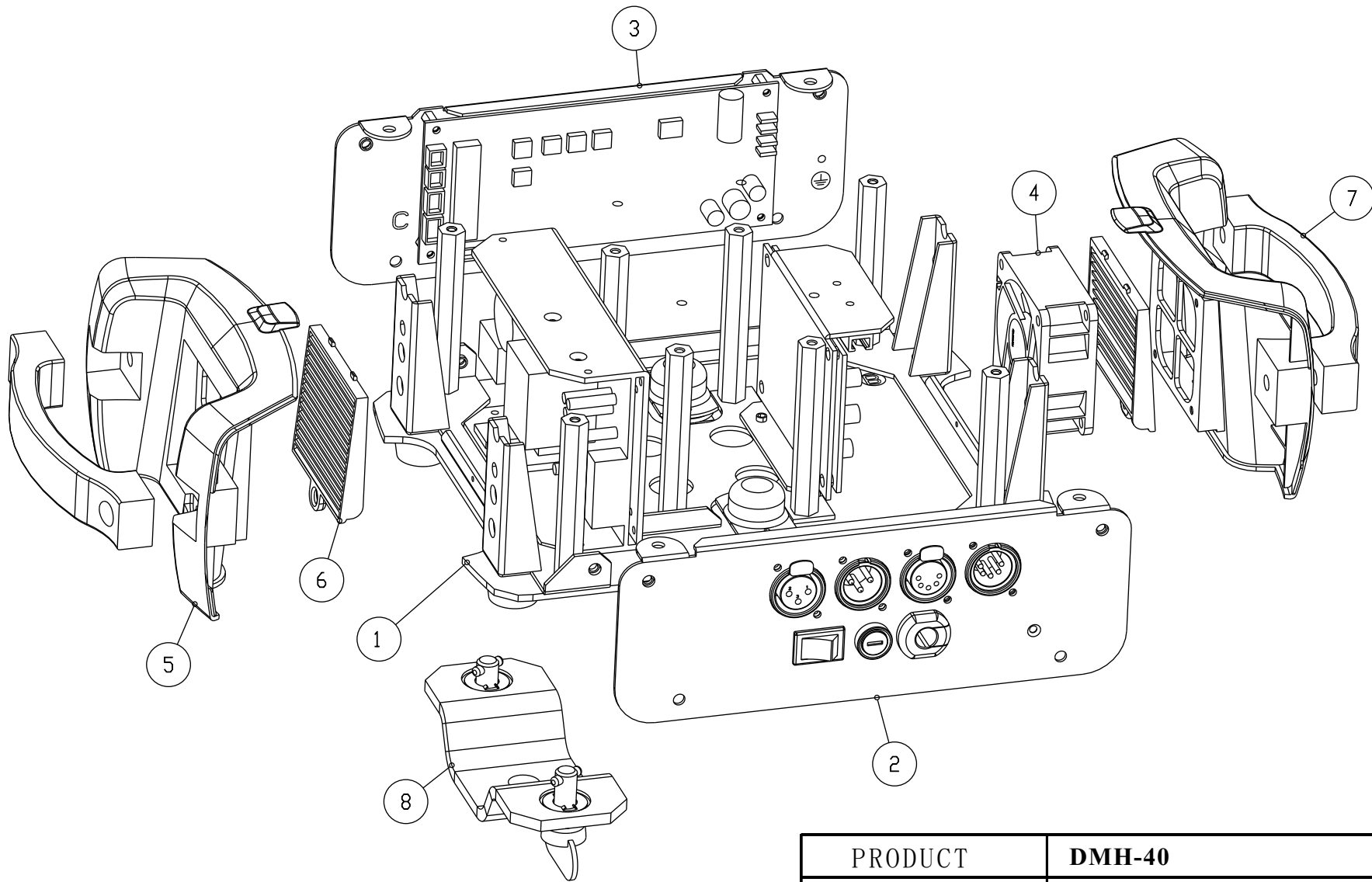
- ※ **Exploded Diagrams**
- ※ **Circuit Diagrams**
- ※ **Wiring Diagrams**
- ※ **Parts List**



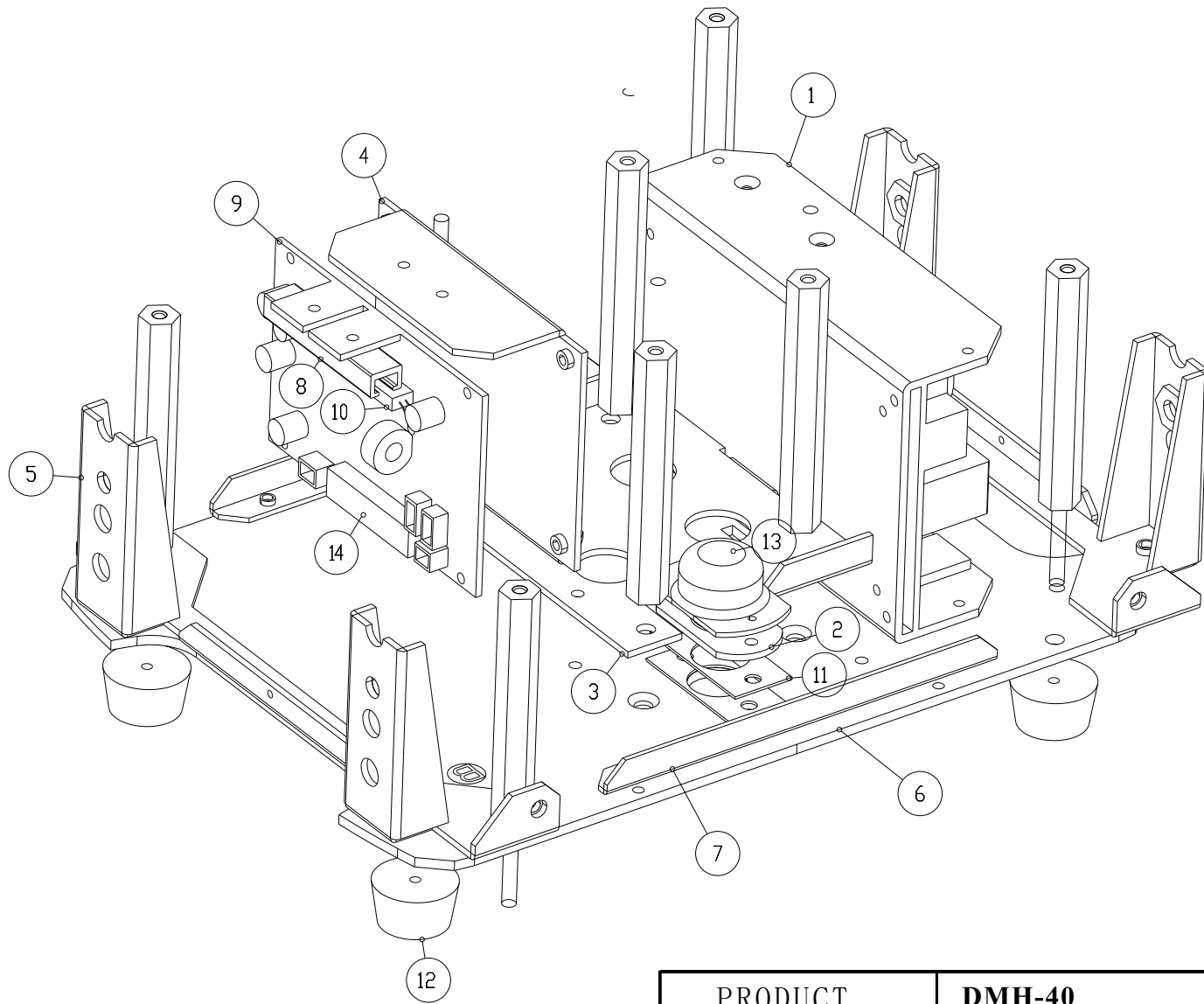
PRODUCT		DMH-40			
PIC. NO.		Front Page	Series No.	51841835X10NXS00010001-10030	
EDIT		FILE NO.	HY-EXP-834A		
CHECK		ORDER NO.	SO20100705/60997		
APPROVE		VERSION	NR	SOFTWARE VER.	V1.0



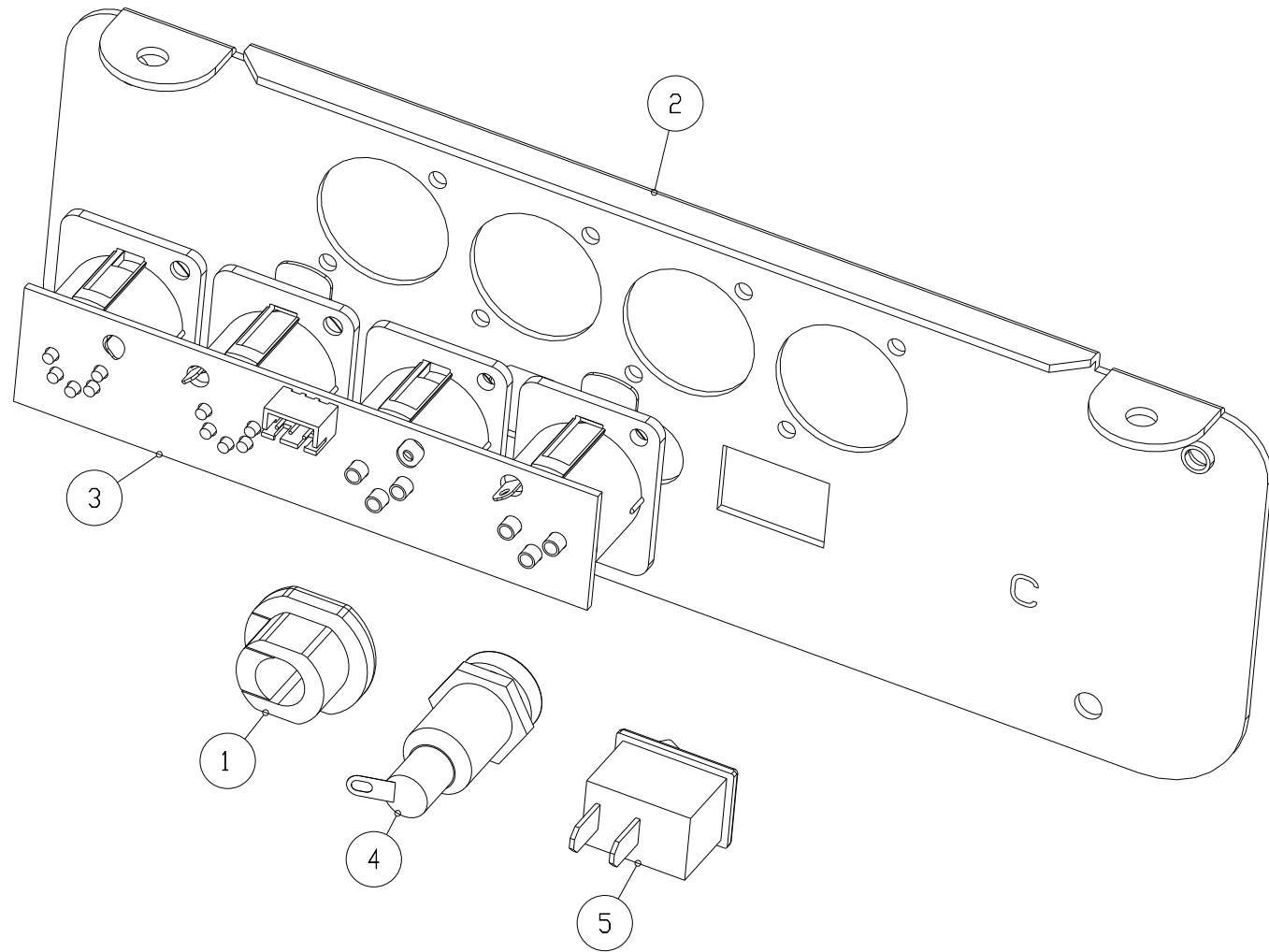
PRODUCT		DMH-40			
PIC. NO.		10-0143-00-00-00			
EDIT		FILE NO.	HY-EXP-834A	PAGE NO.	1/19
CHECK		VERSION	NR	DATE	2011.3.31
APPROVE		ECN NO.		DATE	



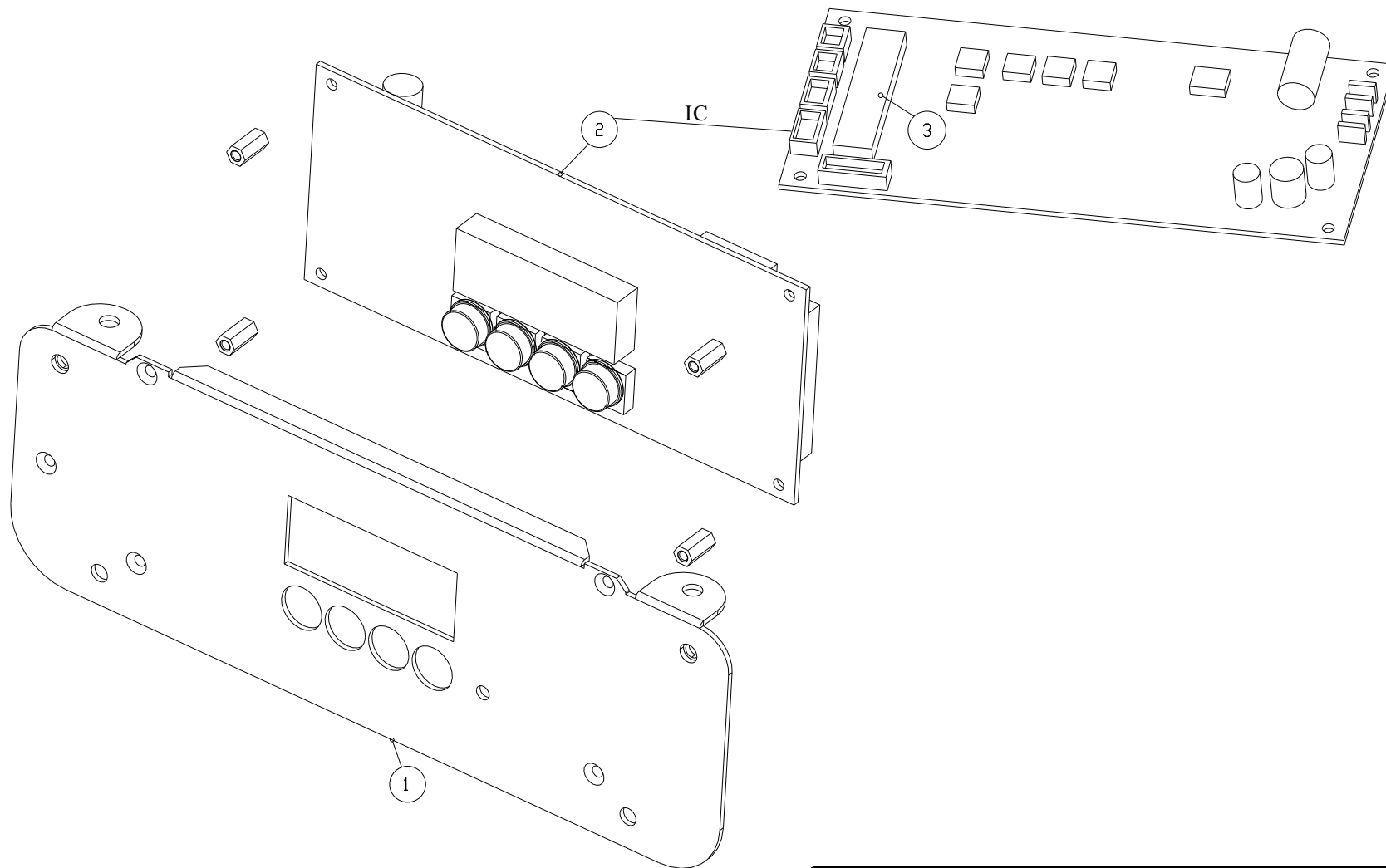
PRODUCT		DMH-40			
PIC. NO.		10-0143-01-00-00			
EDIT		FILE NO.	HY-EXP-834A	PAGE NO.	2/19
CHECK		VERSION	NR	DATE	2011.3.31
APPROVE		ECN NO.		DATE	



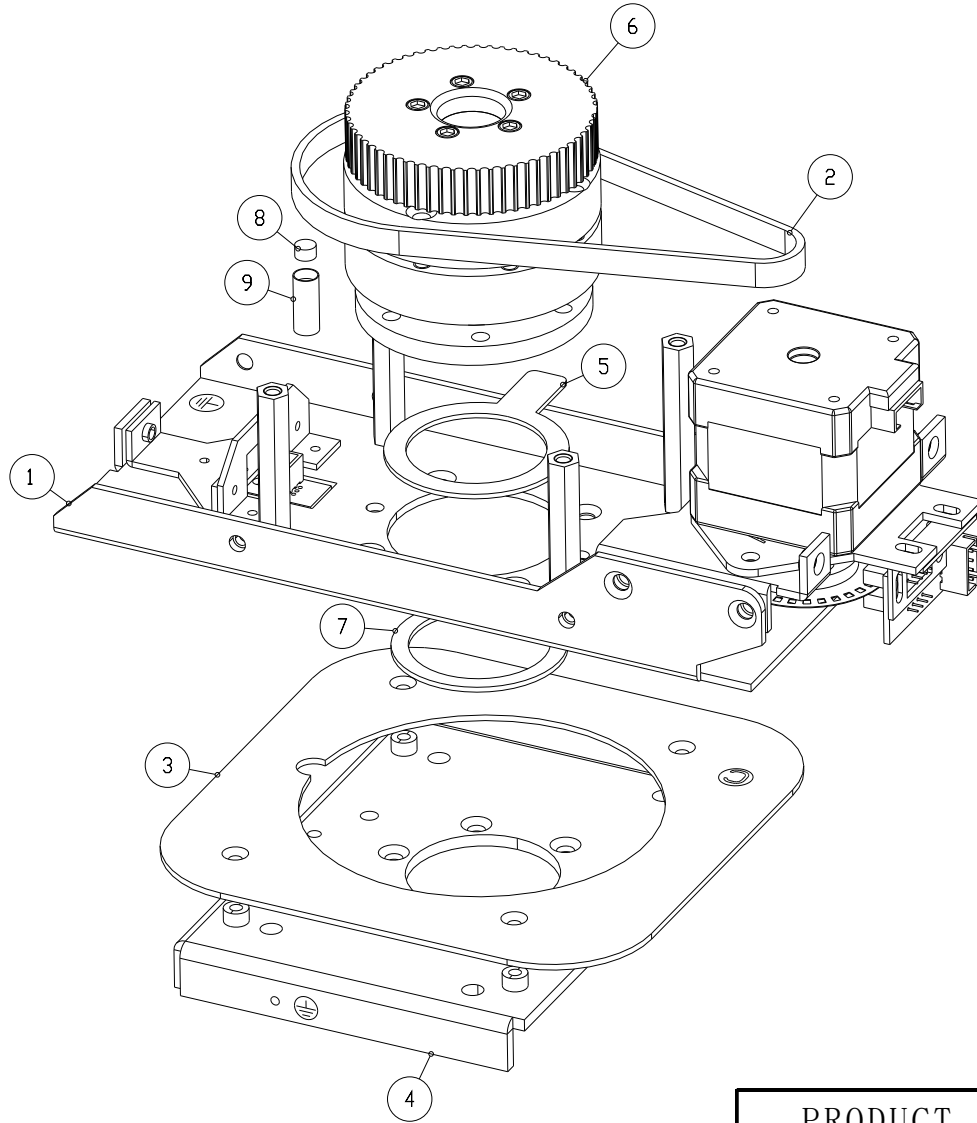
PRODUCT		DMH-40			
PIC. NO.		10-0143-01-01-00			
EDIT		FILE NO.	HY-EXP-834A	PAGE NO.	3/19
CHECK		VERSION	NR	DATE	2011.3.31
APPROVE		ECN NO.		DATE	



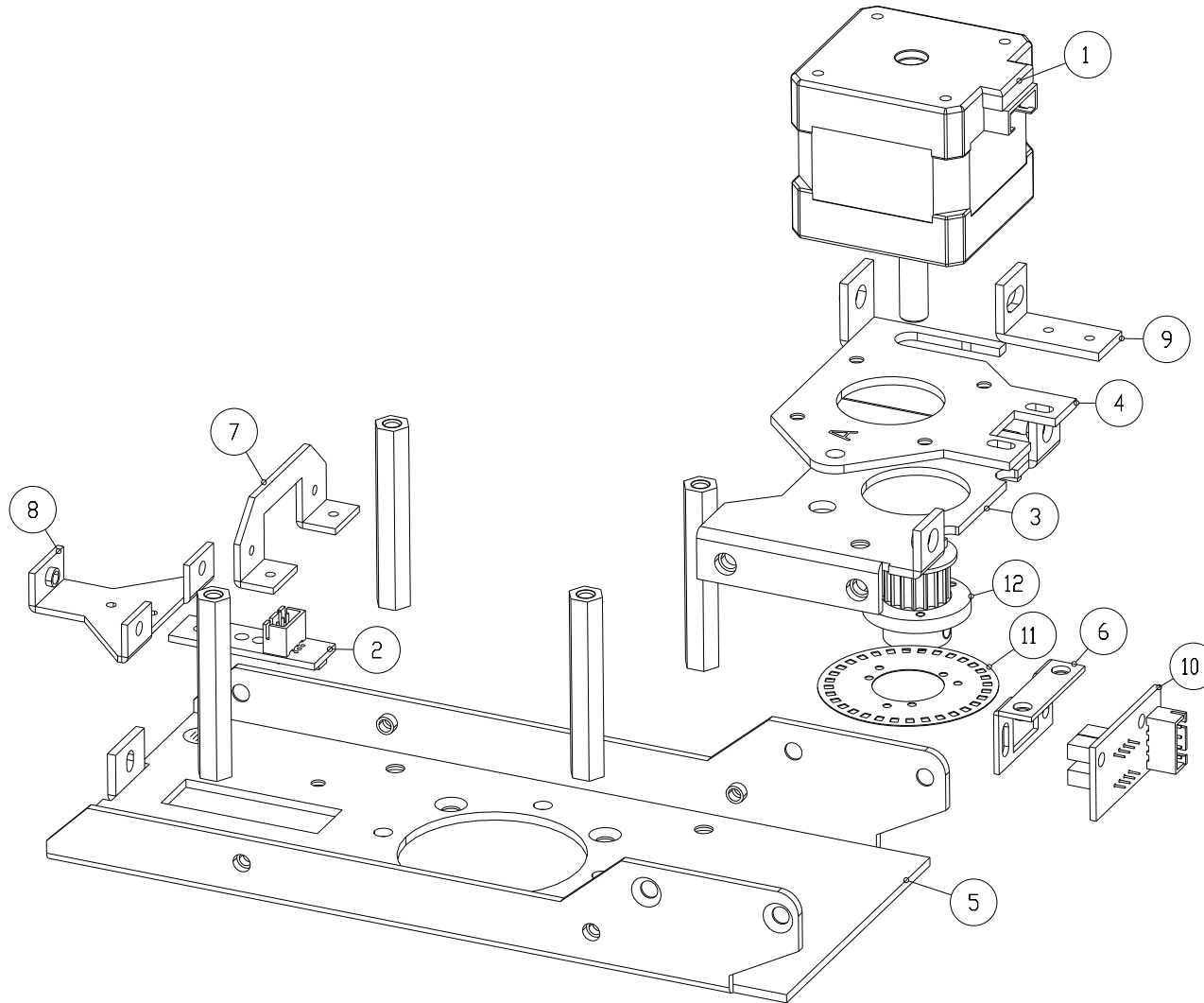
PRODUCT		DMH-40			
PIC. NO.		10-0143-01-02-00			
EDIT		FILE NO.	HY-EXP-834A	PAGE NO.	4/19
CHECK		VERSION	NR	DATE	2011.3.31
APPROVE		ECN NO.		DATE	



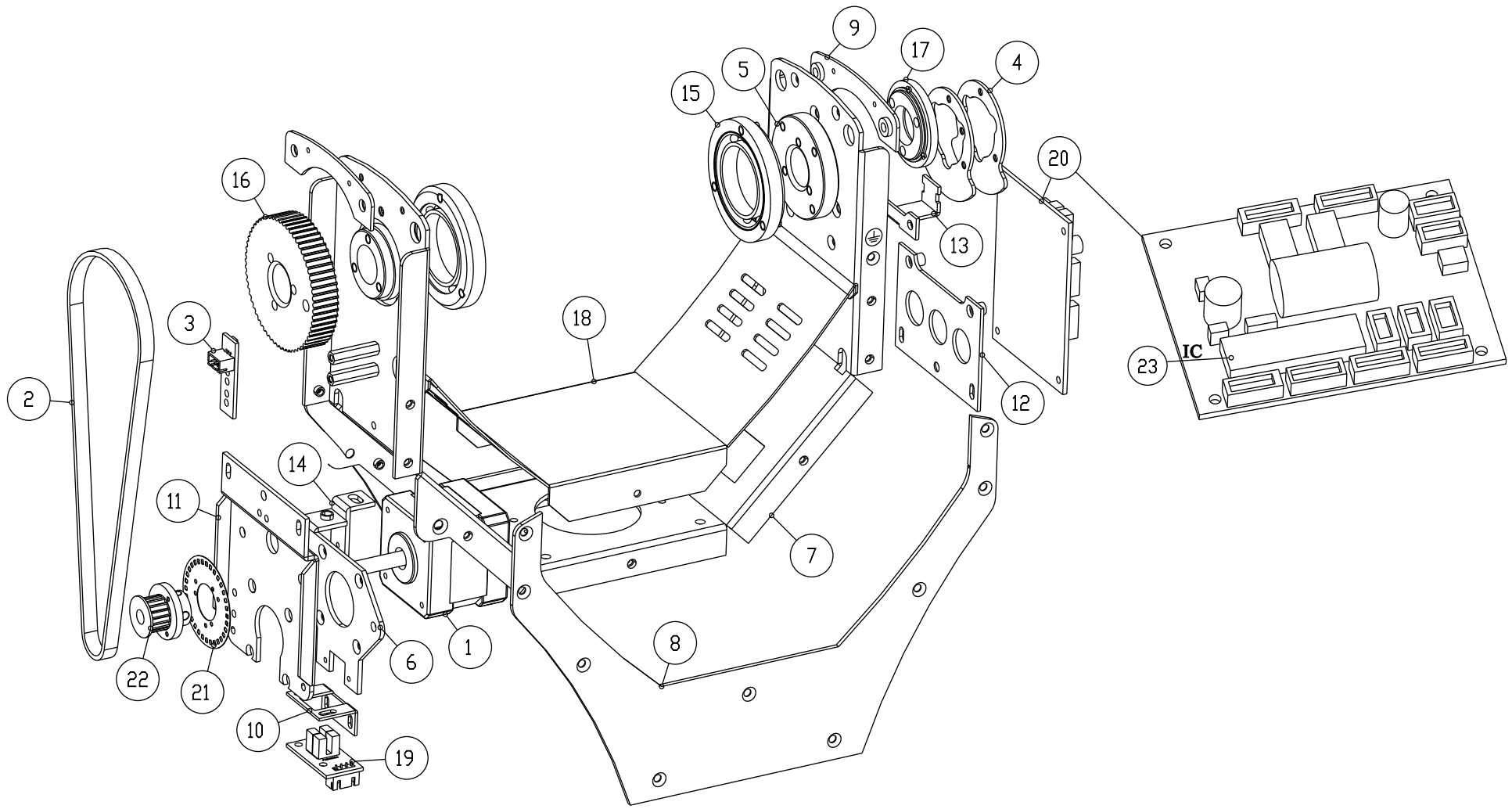
PRODUCT		DMH-40			
PIC. NO.		10-0143-01-03-00			
EDIT		FILE NO.	HY-EXP-834A	PAGE NO.	5/19
CHECK		VERSION	NR	DATE	2011.3.31
APPROVE		ECN NO.		DATE	



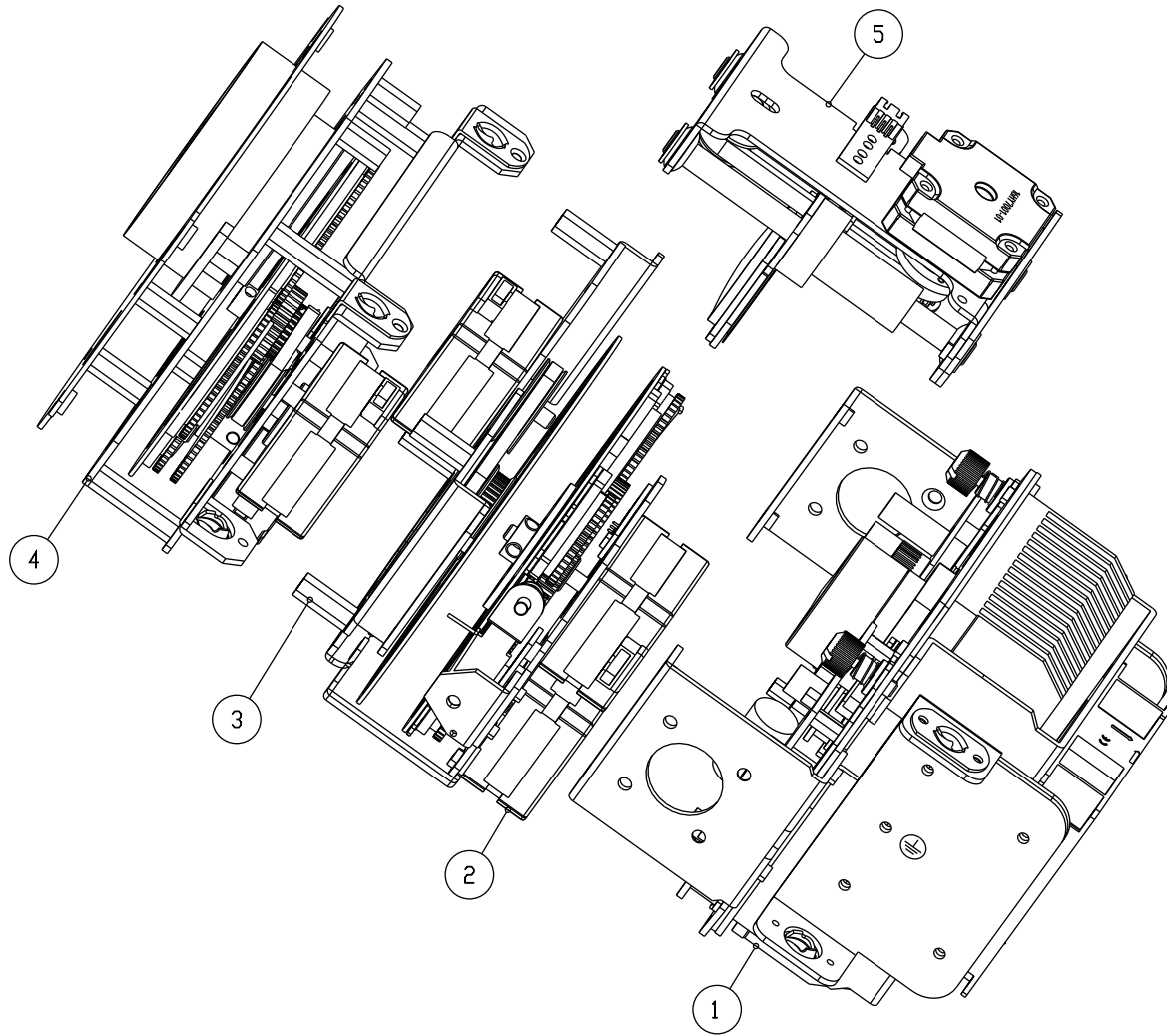
PRODUCT		DMH-40			
PIC. NO.		10-0143-02-00-00			
EDIT		FILE NO.	HY-EXP-834A	PAGE NO.	6/19
CHECK		VERSION	NR	DATE	2011.3.31
APPROVE		ECN NO.		DATE	



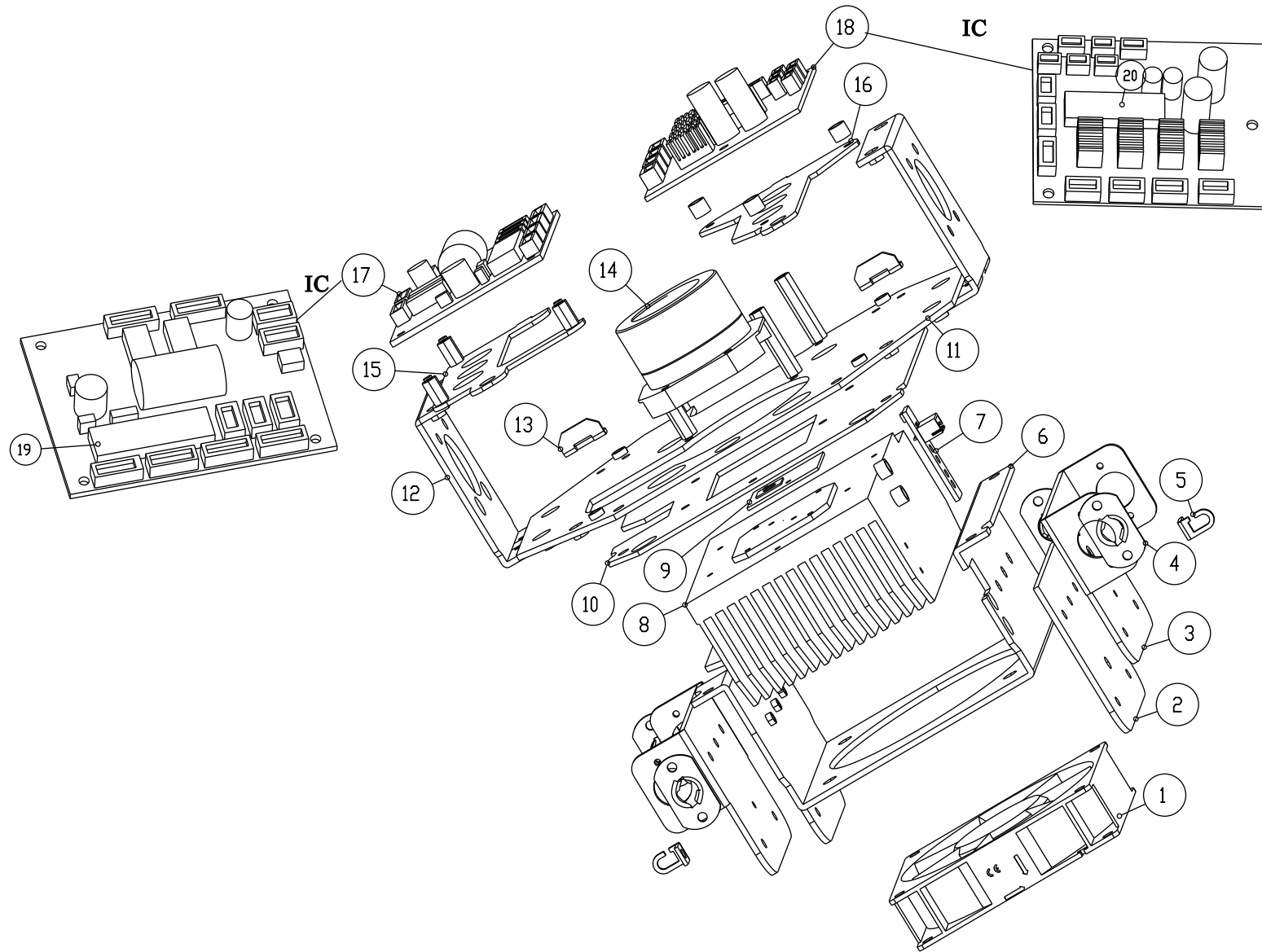
PRODUCT		DMH-40			
PIC. NO.		10-0143-02-01-00			
EDIT		FILE NO.	HY-EXP-834A	PAGE NO.	7/19
CHECK		VERSION	NR	DATE	2011.3.31
APPROVE		ECN NO.		DATE	



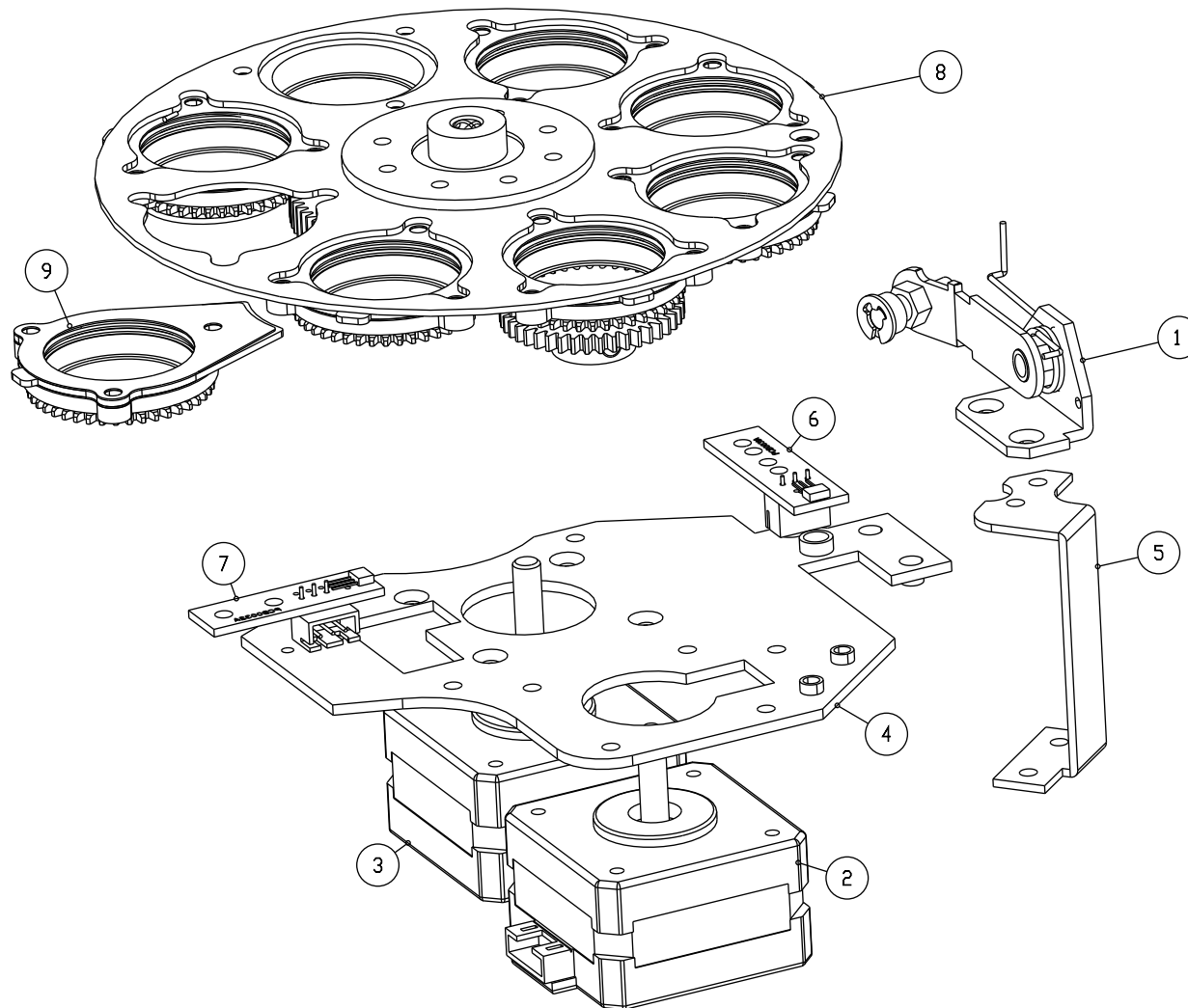
PRODUCT		DMH-40			
PIC. NO.		10-0143-03-00-00			
EDIT		FILE NO.	HY-EXP-834A	PAGE NO.	8/19
CHECK		VERSION	NR	DATE	2011.3.31
APPROVE		ECN NO.		DATE	



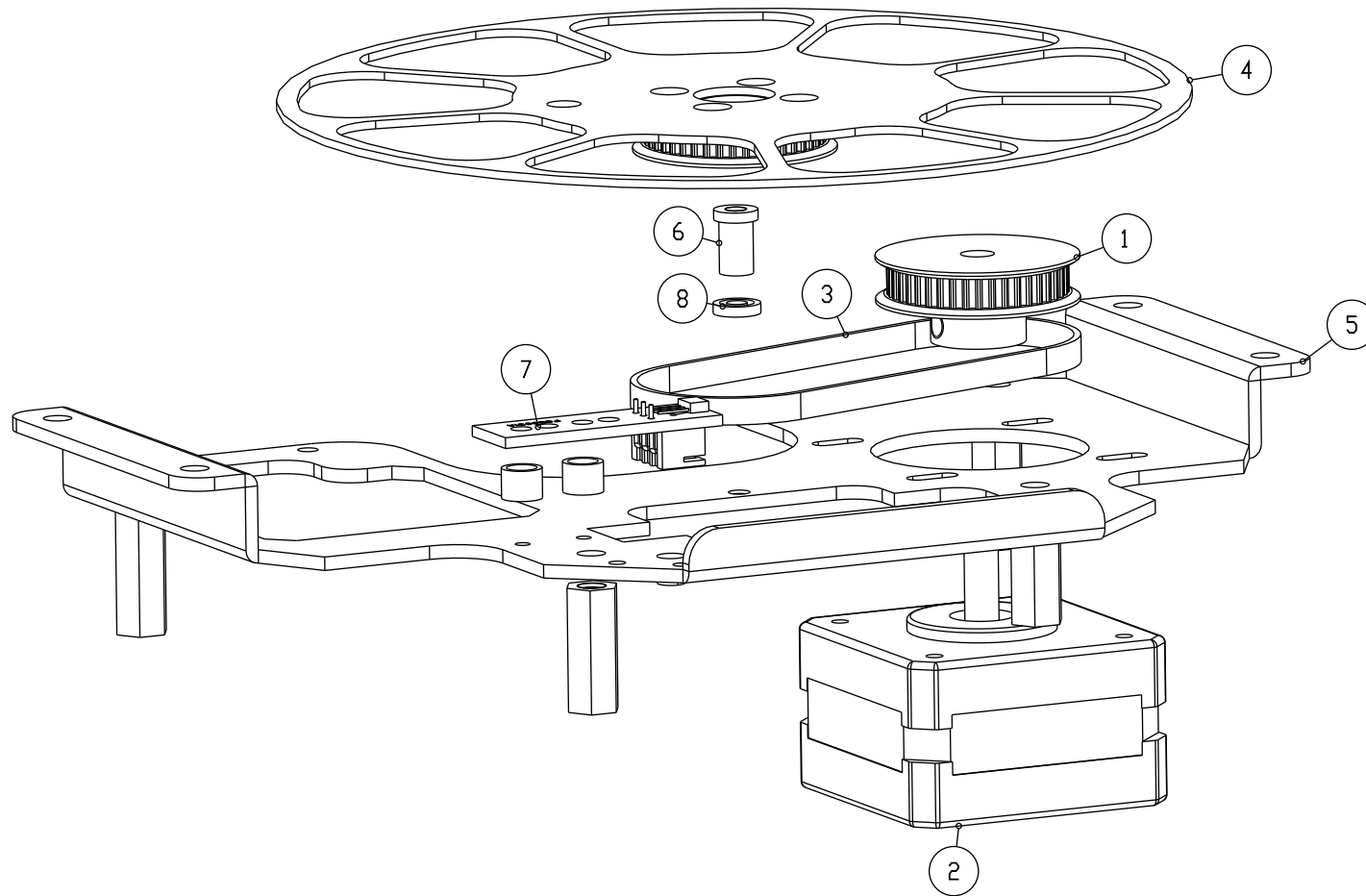
PRODUCT		DMH-40			
PIC. NO.		10-0143-04-00-00			
EDIT		FILE NO.	HY-EXP-834A	PAGE NO.	9/19
CHECK		VERSION	NR	DATE	2011.3.31
APPROVE		ECN NO.		DATE	



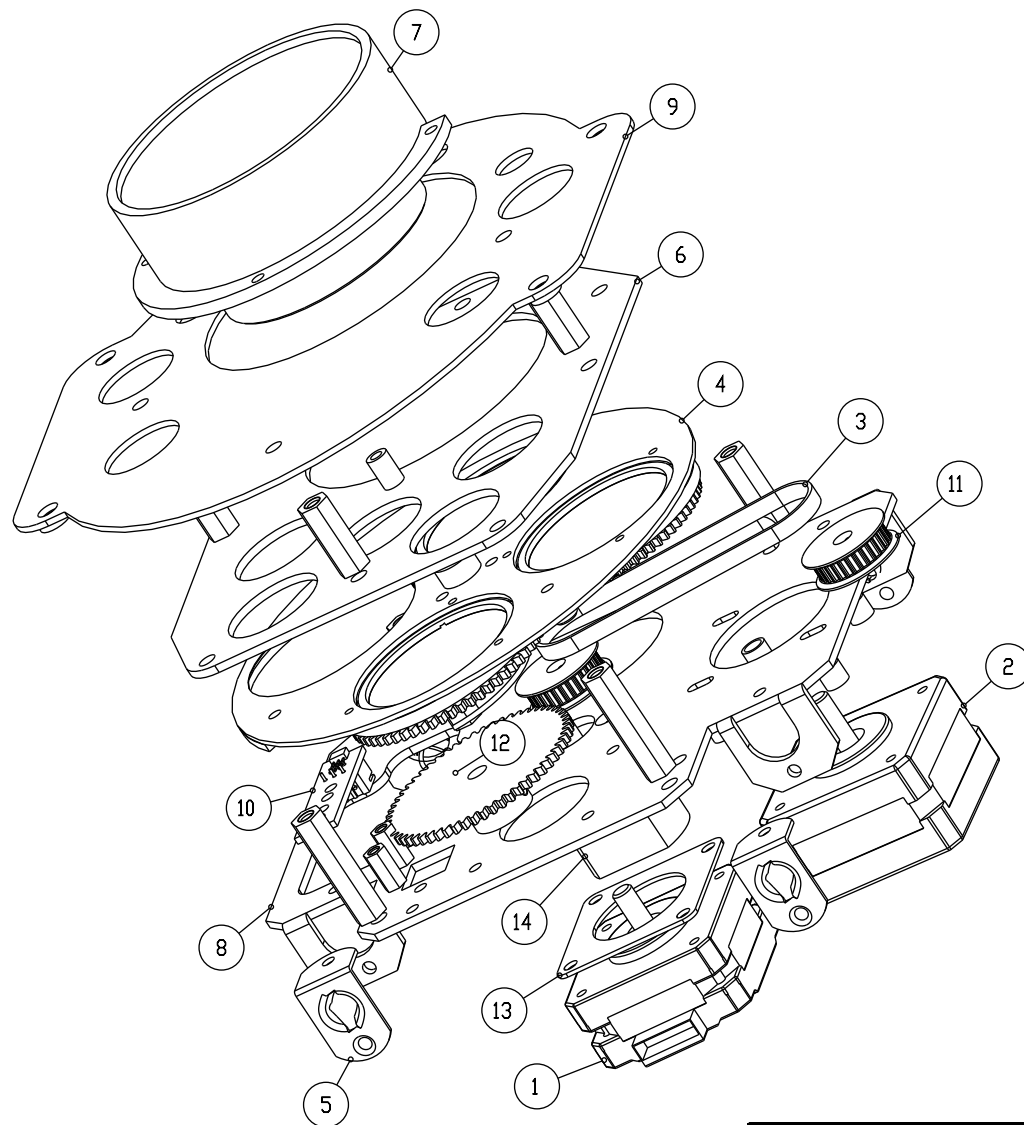
PRODUCT		DMH-40			
PIC. NO.		10-0143-04-01-00			
EDIT		FILE NO.	HY-EXP-834A	PAGE NO.	10/19
CHECK		VERSION	NR	DATE	2011.3.31
APPROVE		ECN NO.		DATE	



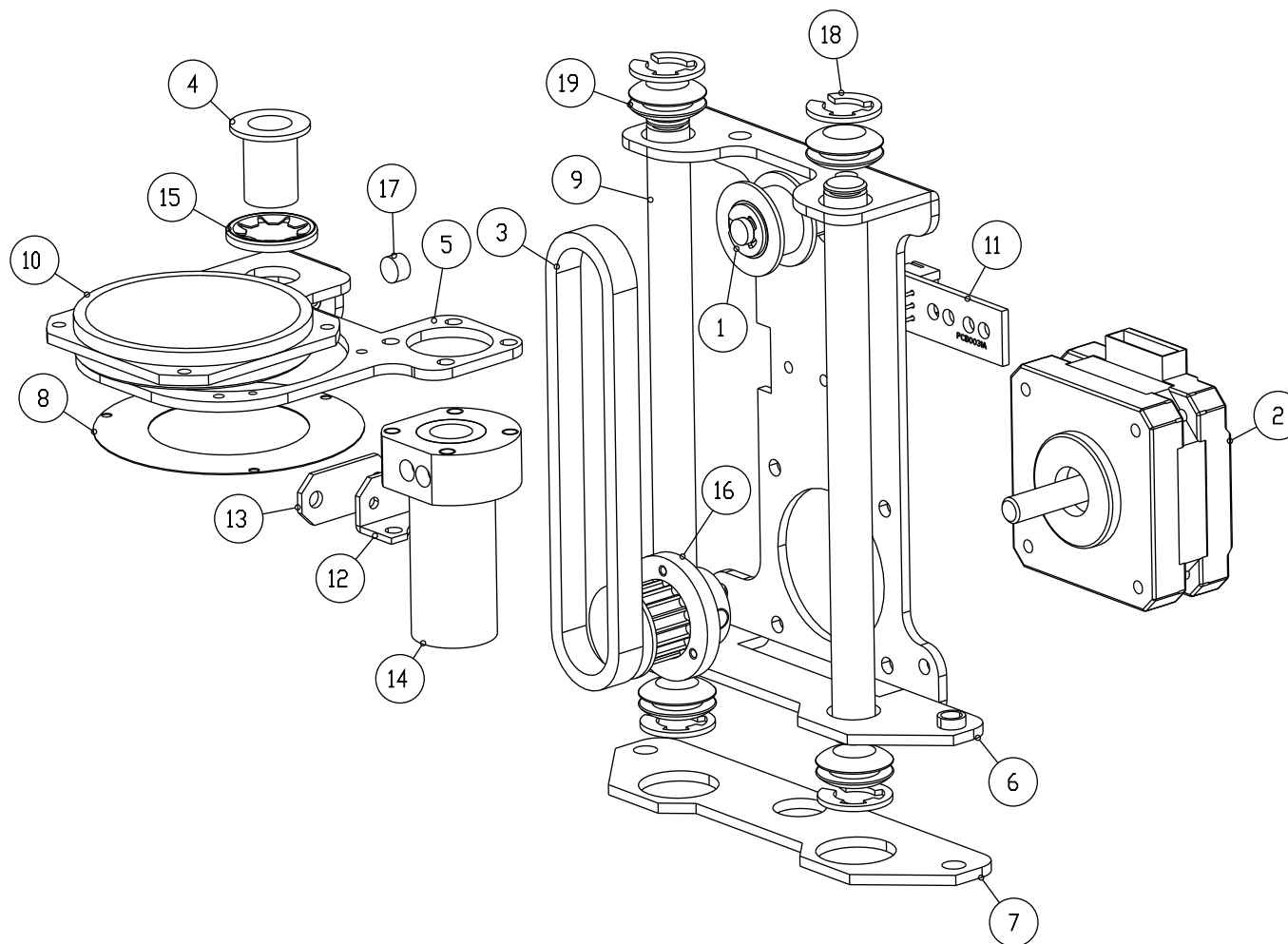
PRODUCT		DMH-40			
PIC. NO.		10-0143-04-02-00			
EDIT		FILE NO.	HY-EXP-834A	PAGE NO.	11/19
CHECK		VERSION	NR	DATE	2011.3.31
APPROVE		ECN NO.		DATE	



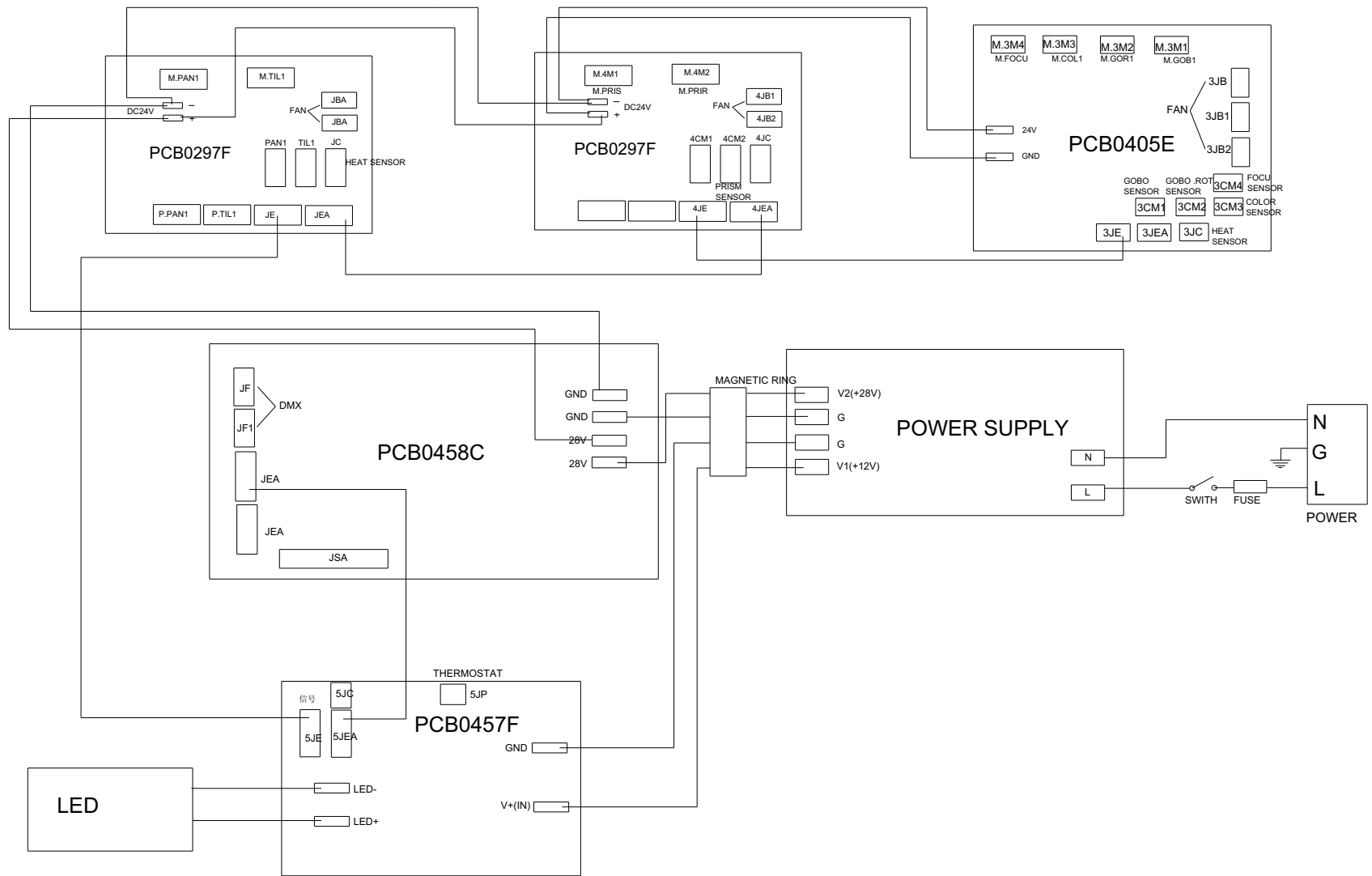
PRODUCT		DMH-40			
PIC. NO.		10-0143-04-03-00			
EDIT		FILE NO.	HY-EXP-834A	PAGE NO.	12/19
CHECK		VERSION	NR	DATE	2011.3.31
APPROVE		ECN NO.		DATE	



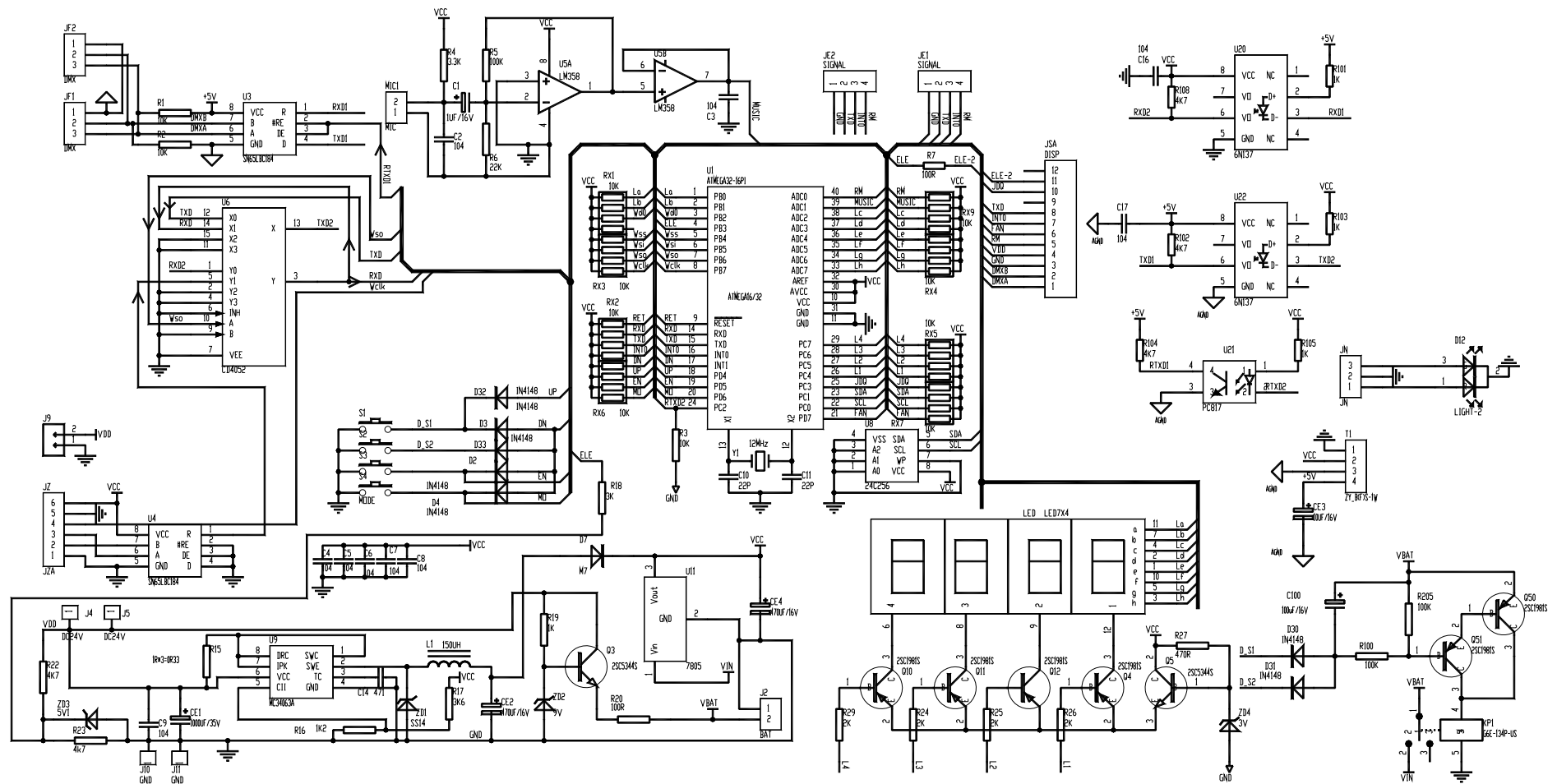
PRODUCT		DMH-40			
PIC. NO.		10-0143-04-04-00			
EDIT		FILE NO.	HY-EXP-834A	PAGE NO.	13/19
CHECK		VERSION	NR	DATE	2011.3.31
APPROVE		ECN NO.		DATE	



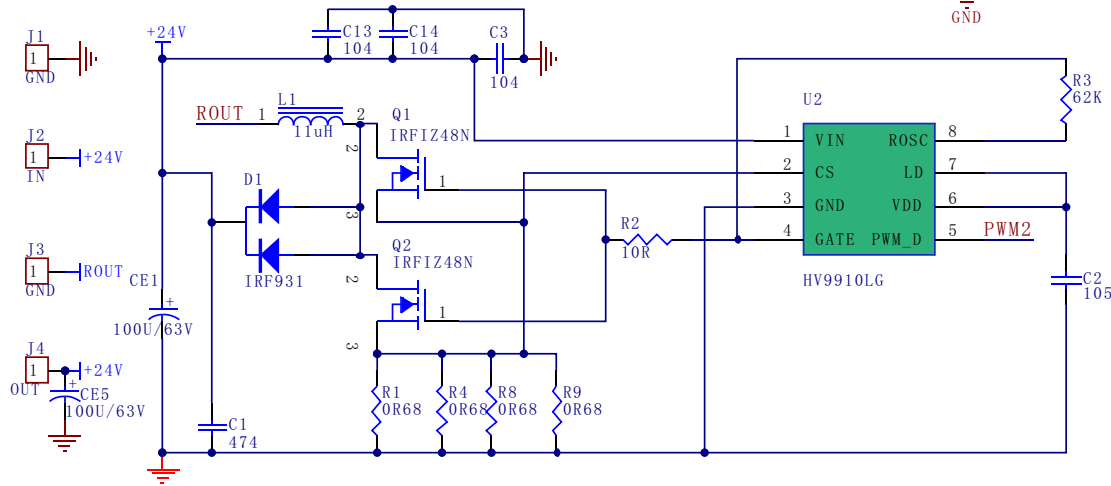
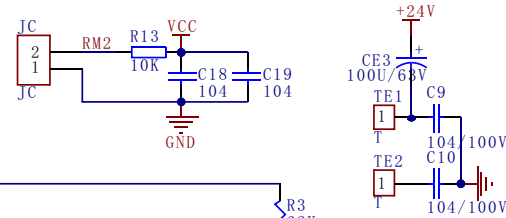
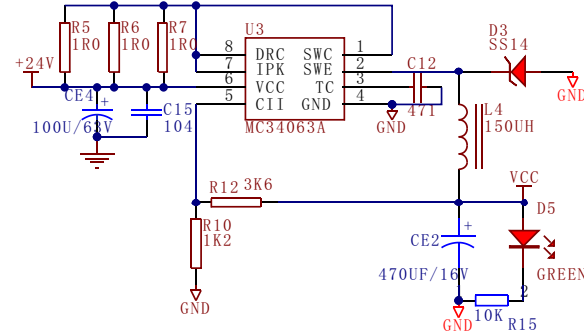
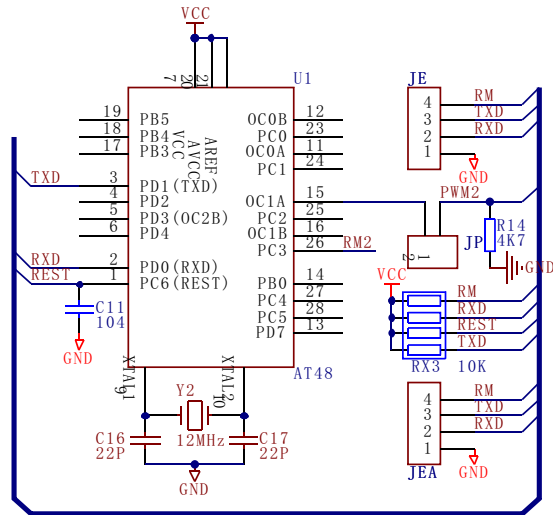
PRODUCT		DMH-40			
PIC. NO.		10-0143-04-05-00			
EDIT		FILE NO.	HY-EXP-834A	PAGE NO.	14/19
CHECK		VERSION	NR	DATE	2011.3.31
APPROVE		ECN NO.		DATE	



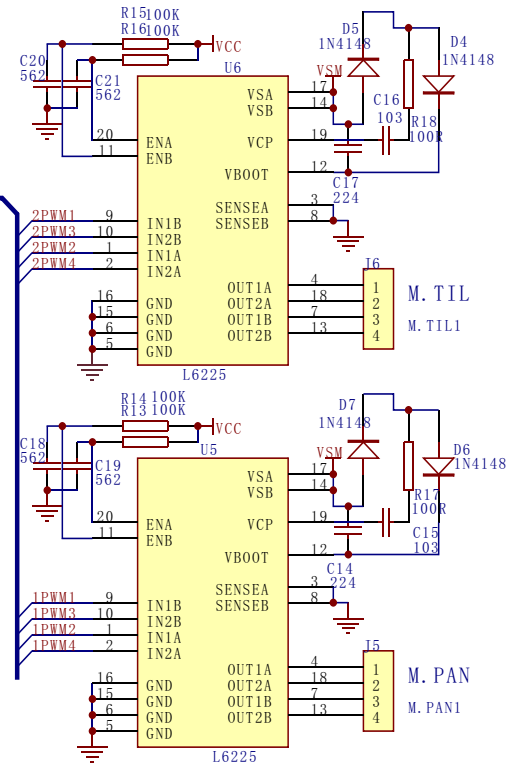
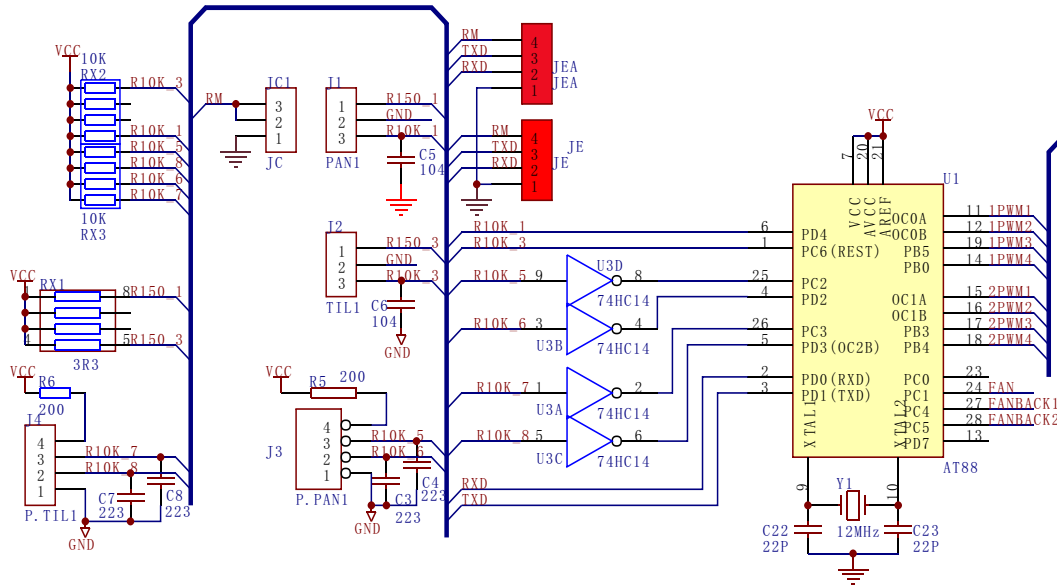
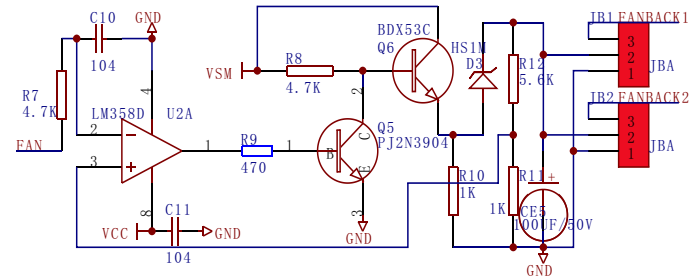
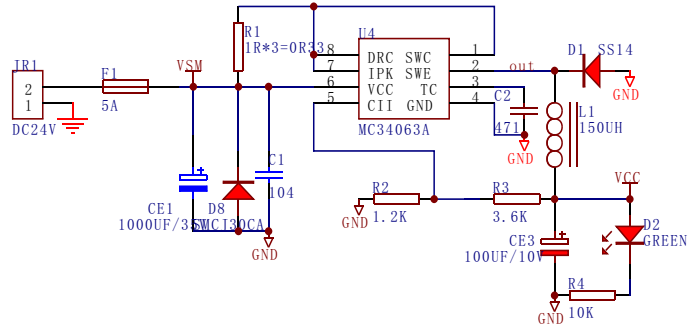
PRODUCT		DMH-40			
PIC. NO.		DMH-40 ELECTRIC			
EDIT		FILE NO.	HY-WIJL-B017	PAGE NO.	15/19
CHECK		VERSION	NR	DATE	2011.3.31
APPROVE		ECN NO.		DATE	



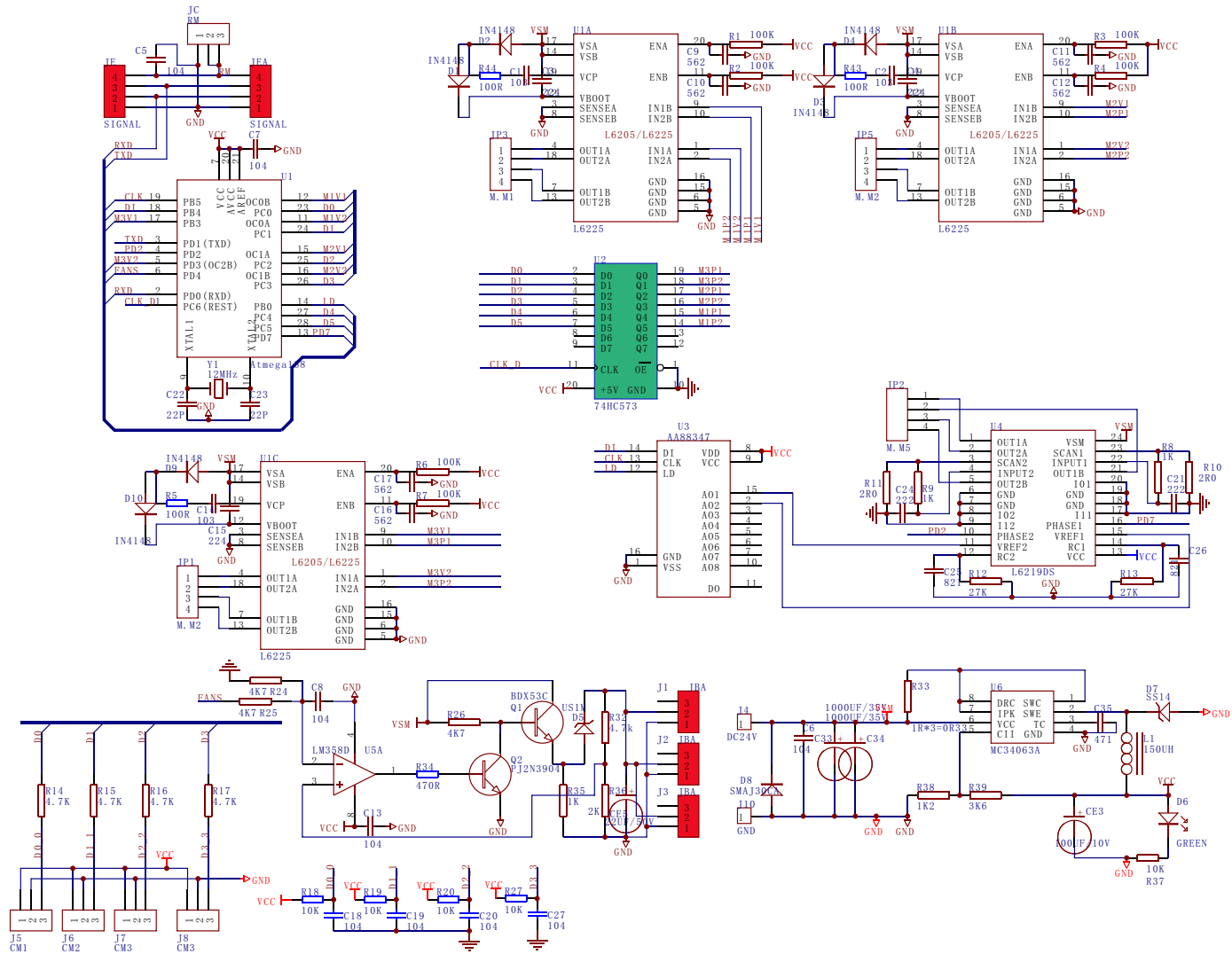
PRODUCT	DMH-40				
PIC. NO.	PCB0458C SCHEME				
EDIT		FILE NO.	HY-WIEC-0762	PAGE NO.	16/19
CHECK		VERSION	NR	DATE	2011. 3. 31
APPROVE		ECN NO.		DATE	



PRODUCT		DMH-40			
PIC. NO.		PCB0457F SCHEME			
EDIT		FILE NO.	HY-WIEC-0618	PAGE NO.	17/19
CHECK		VERSION	NR	DATE	2011.3.31
APPROVE		ECN NO.		DATE	



PRODUCT	DMH-40				
PIC. NO.	PCB0297F SCHEME				
EDIT		FILE NO.	HY-WIEC-0771	PAGE NO.	18/19
CHECK		VERSION	NR	DATE	2011.3.31
APPROVE		ECN NO.		DATE	



PRODUCT		DMH-40			
PIC. NO.		PCB0405E SCHEME			
EDIT		FILE NO.	HY-WIEC-0613	PAGE NO.	19/19
CHECK		VERSION	NR	DATE	2011.3.31
APPROVE		ECN NO.		DATE	