

FUTURELIGHT DMH-40 LED Moving Head

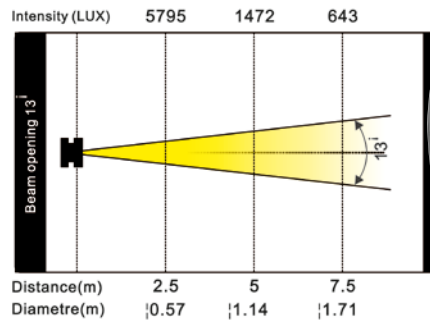
No. 51841835

- + 40 W LED - comparable to a bright 250 W discharge lamp
- + Effect wheel with rotating 3-facet prism and 3D prism and frost filter
- + The prisms and gobos rotate in both directions and at different speeds
- + Macro function for rotating gobos/rotating prism combinations
- + Color wheel with 8 different dichroic color filters plus white
- + Gobo wheel with 7 rotating gobos plus open
- + Motorized focus

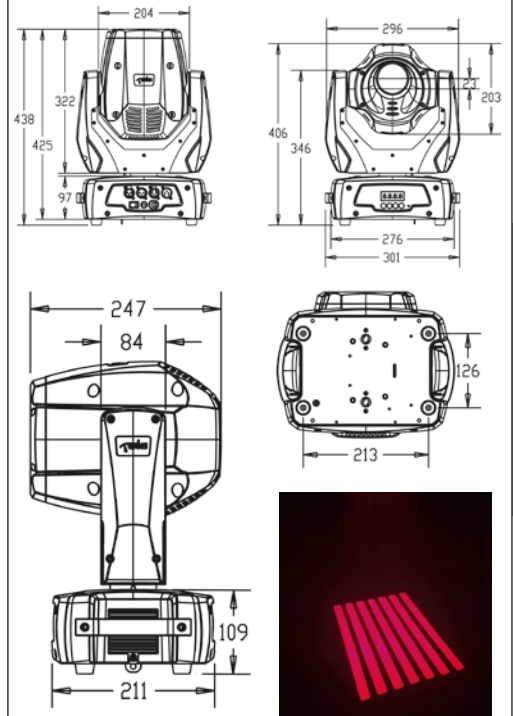
COB

DMX

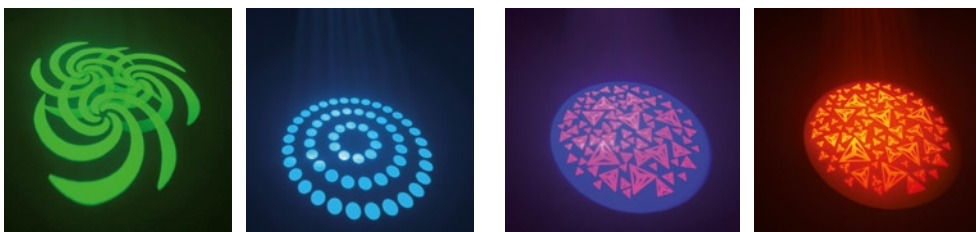
HIGH POWER LED



- 1 extra bright 40 W COB LED for best luminance
- Comparable to the light output of bright 250 W discharge lamp
- Effect wheel with rotating 3-facet prism and 3D prism and frost filter
- The prisms rotate in both directions and at different speeds
- Macro function for rotating gobos/rotating prism combinations
- Color wheel with 8 different dichroic color filters plus white
- Switchable color change (mode 1: only full colors, mode 2: color change at every position)
- Rainbow effect with adjustable speed in both directions
- Gobo wheel with 7 rotating gobos plus open
- The gobos rotate in both directions and at different speeds
- All gobos can be interchanged
- Slot-in gobo system for exchanging gobos without tools
- With gobo shake function
- Exact positioning via 16 bit PAN/TILT movement resolution
- Motorized focus
- Dimmer
- Strobe effect with adjustable speed
- Random strobe effect
- RDMX (Remote DMX Addressing): DMX address setting via controller possible
- Power standby mode
- PAN angle switchable between 630° and 540°
- Switch-mode power supply
- Automatic power supply adaption between 100 and 240 Volts without power selector
- Control board with 4-digit display and foil-keyboard for adjusting the DMX starting address, PAN/TILT Reverse, Program, Reset
- DMX-controlled operation or stand-alone operation with Master/Slave function
- 56 preprogrammed scenes in Program Run for stand-alone operation
- Number of scenes in Program Run can be changed individually
- The scenes in Program Run can be modified via the Control Board or via an external controller and loaded into the memory
- 7 built-in programs can be called up via DMX controller
- Software upload by optional FUTURELIGHT ULB-1 upload box via DMX link
- Sound-controlled via built-in microphone
- DMX control via every standard DMX controller



%	1 Pan	2 Tilt	3 Scan speed	4 Color Wheel	5 Rota. Gobo	6 Gobo Rotation	7 Prism / Gobo macro rotation	8 Prism macro rotation	9 Focus	10 Strobe	11 Dimmer	12 Auto program	13 Tilt High Resolution	14 Pan High Resolution
100%			No function Blackout by all wheel changing				Macro 16					Auto program by music Internal program 7		
75%			Blackout by movement				Macro 8					Internal program 1		
50%			Min ↑ moving speed Max				Macro 1					Other motor reset All motor reset No function Color&Gobo change to any position		
25%							Prism Indexing					Color change to any position Color&Gobo change normal		
0%							Prism Indexing							



Technical specifications:

Power supply:	100-240 V AC, 50/60 Hz ~
Power consumption:	160 W
DMX control channels:	14
Sound-control:	via built-in microphone
Flash-rate:	22 Hz
Type of LEDs:	Array 40 W
Number of LEDs:	1
Beam angle:	approx. 15°
Color-wheel:	8 dichroic filters plus open
Rotating gobo-wheel:	7 gobos and open
Outside diameter of the gobos:	27 mm
Image diameter of the gobos:	22 mm
Length of base:	295 mm
Width of yoke:	275 mm
Height (head horizontal):	410 mm
Weight:	11 kg

Accessories:

EUROLITE TH-200 Theatre hook, silver	No. 58000740
EUROLITE TPC-30 Coupler, silver	No. 59006860
EUROLITE TPC-10 Coupler, black	No. 59006858
Saveking Safety band 3x600 silver	No. 58010250
Saveking Safety band 3x600 black	No. 58010252
Flightcase for 2x DMH-40	No. 51836890
EUROLITE DMX operator 192 channels	No. 70064520
EUROLITE LED PC-Control 512	No. 51860150
EUROLITE LED PC-Control 1024	No. 51860160
SOMMER BX-30 Binary 234 XLR/XLR	No. 30307457
FUTURELIGHT OC-7 Omega clamp	No. 51836978
FUTURELIGHT ULB-1 Upload box	No. 51836902