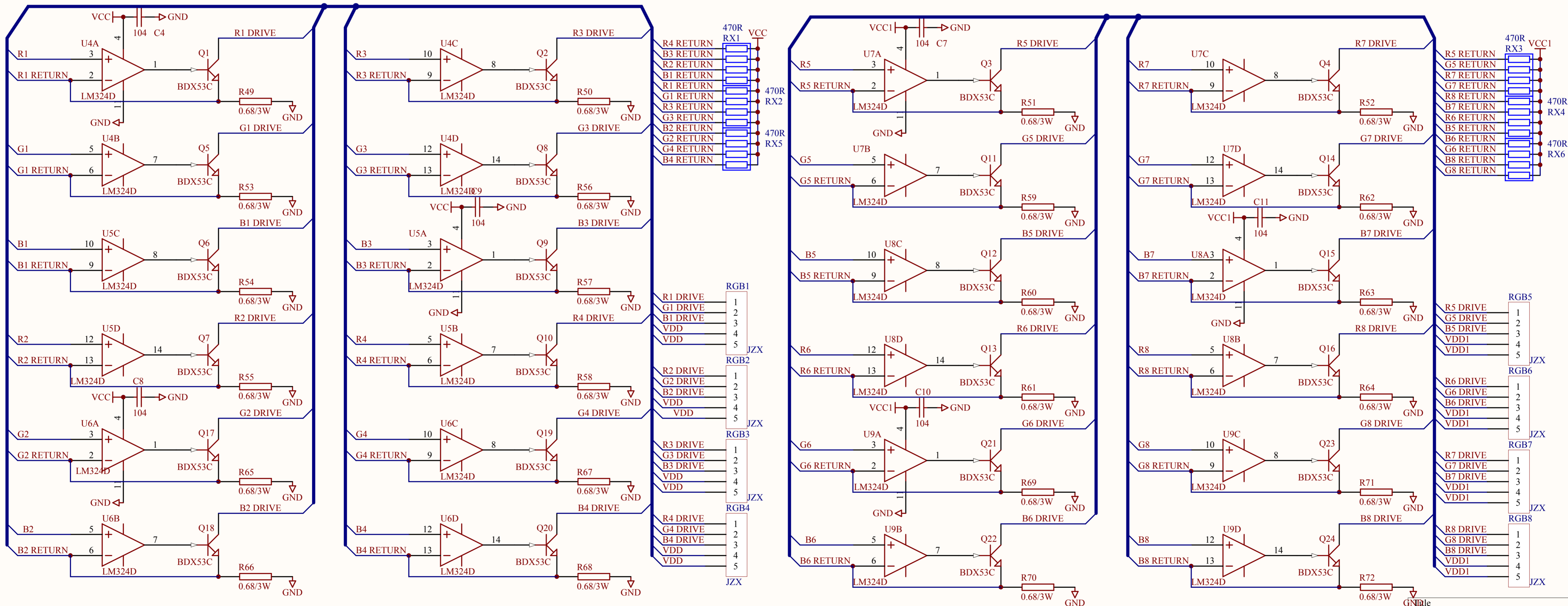


PCB0240B



Size	Number	Revision
A2	LB60T	PCB040D
Date:	2010-7-14	Sheet of
File:	C:\Documents and Settings\...LB60T	PCB0240B BySch