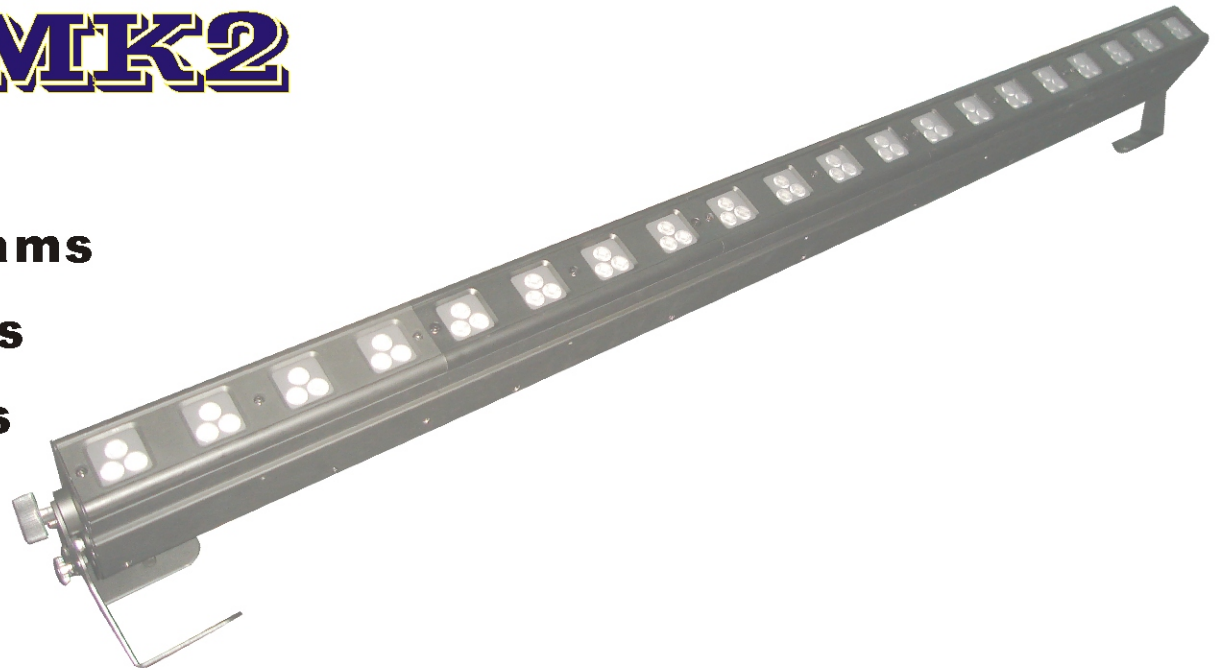


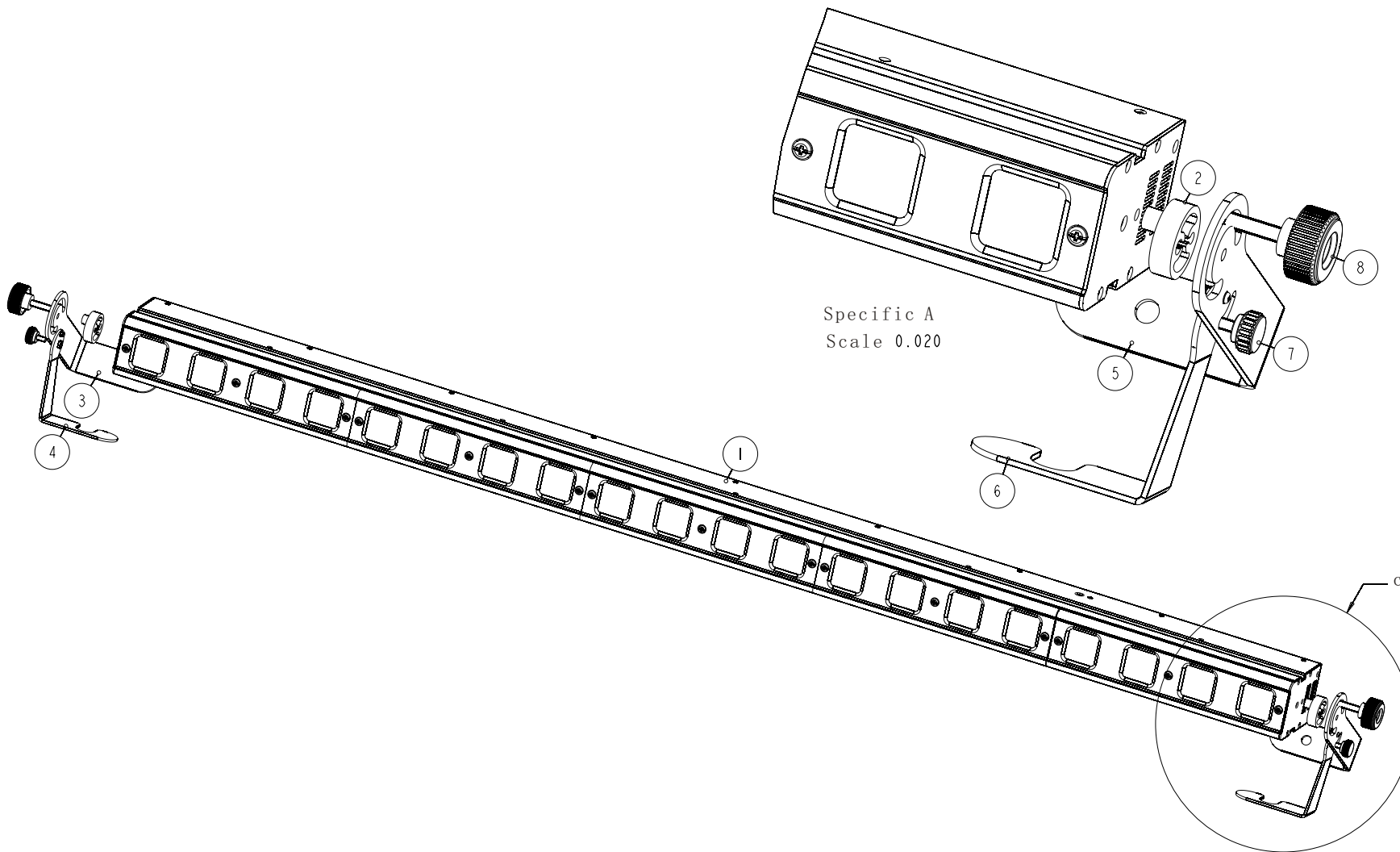
# Service manual

## POS-60 MK2

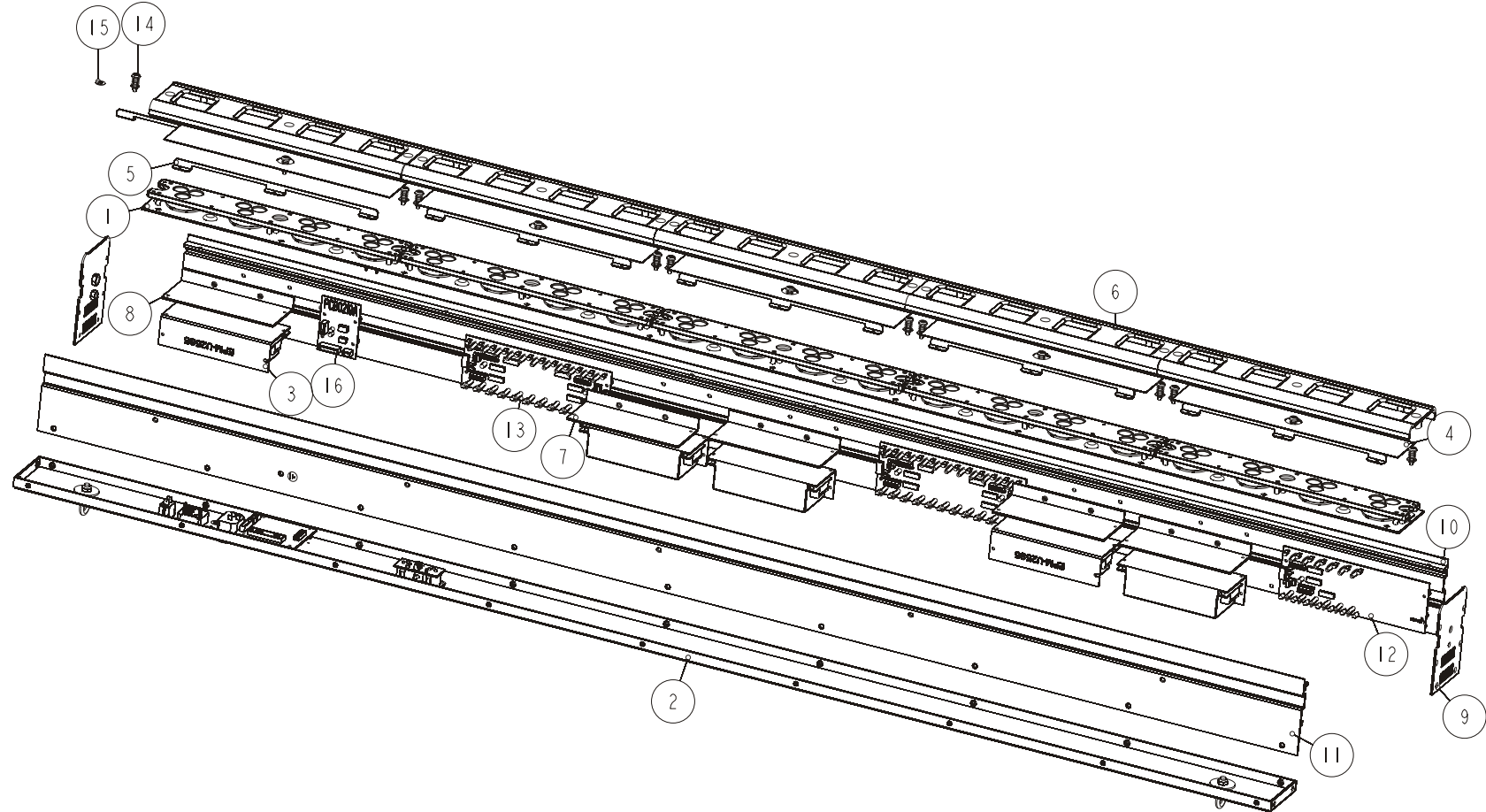
- ※ **Exploded Diagrams**
- ※ **Circuit Diagrams**
- ※ **Wiring Diagrams**
- ※ **Parts List**



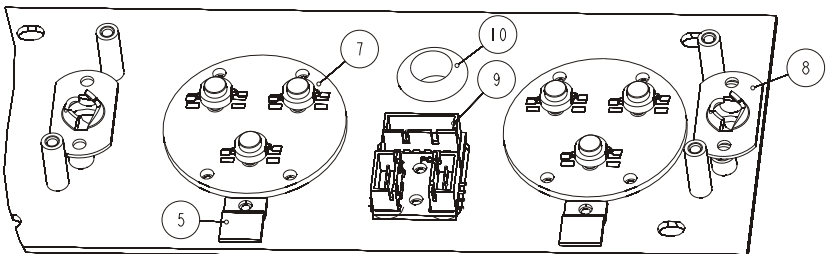
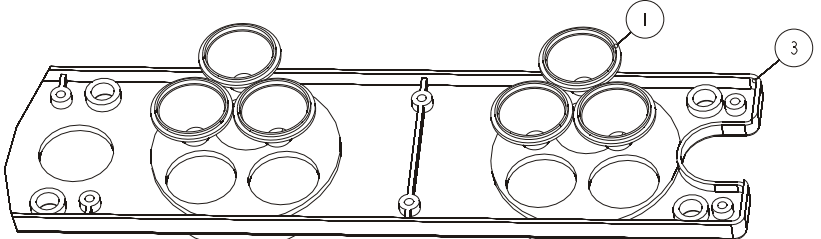
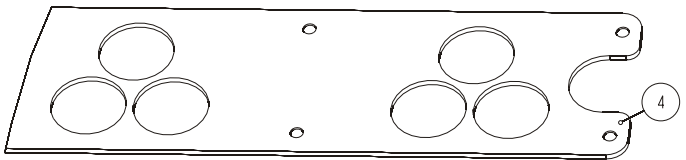
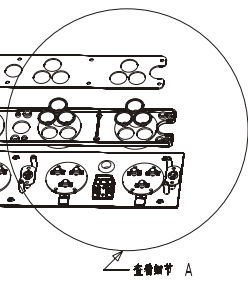
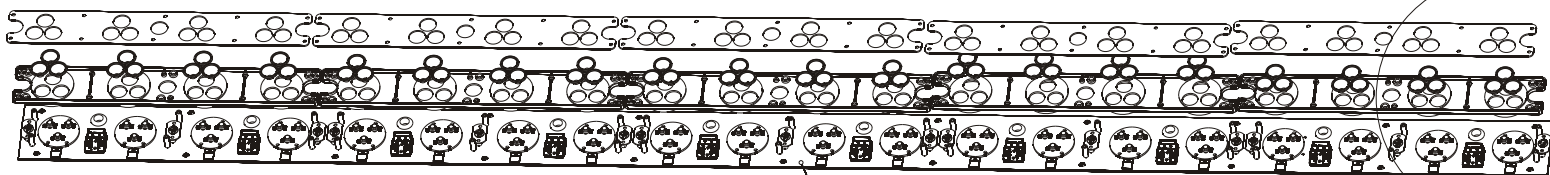
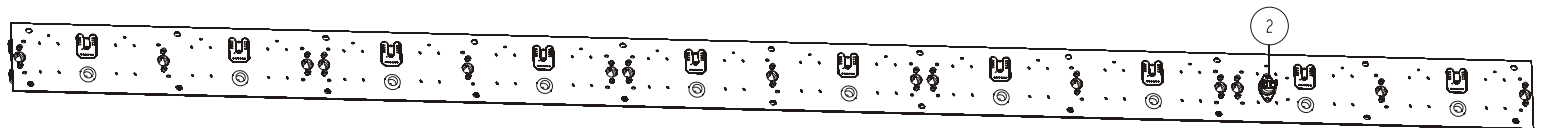
<b>PRODUCT</b>		<b>FUTURELIGHT POS-60 MK2</b>		
<b>PIC. NO.</b>		<b>Front Page</b>		
EDIT		FILE NO.		
CHECK		ORDER NO.		
APPROVE		VERSION	NR	SOFTWARE VER. V1.0



PRODUCT		<b>FUTURELIGHT POS-60 MK2</b>			
PIC. NO.		<b>13-0055-00-00-00</b>			
EDIT		FILE NO.		PAGE NO.	1/10
CHECK		VERSION	NR	DATE	2008.04.25
APPROVE		ECN NO.		DATE	



PRODUCT		FUTURELIGHT POS-60 MK2			
PIC. NO.		13-0055-01-00-00			
EDIT		FILE NO.		PAGE NO.	2/10
CHECK		VERSION	NR	DATE	2008.04.25
APPROVE		ECN NO.		DATE	



细节 A  
 精度 0.040

PRODUCT		FUTURLIGHT POS-60 MK2			
PIC. NO.		13-0028-01-01-00			
EDIT		FILE NO.		PAGE NO.	3/10
CHECK		VERSION	NR	DATE	2008.04.25
APPROVE		ECN NO.		DATE	

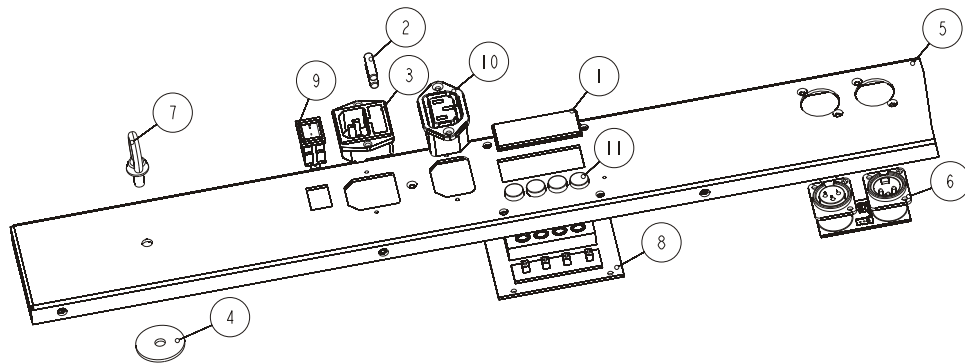
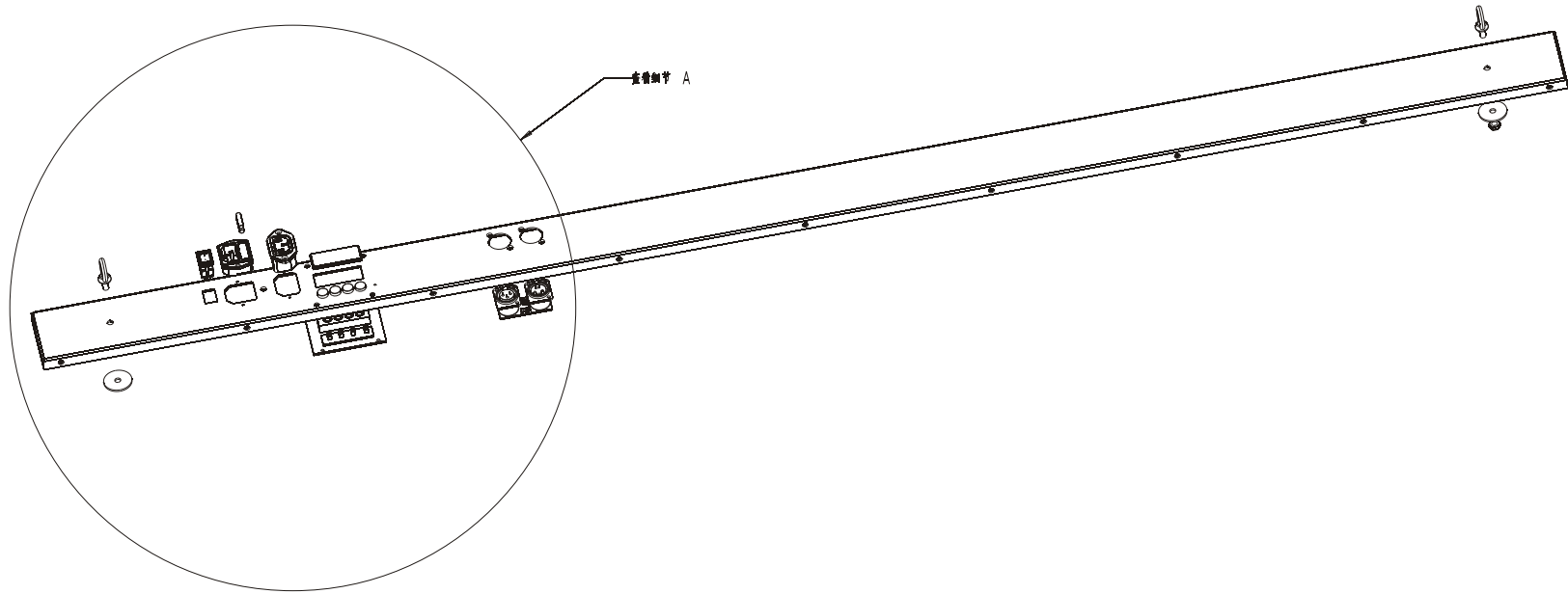
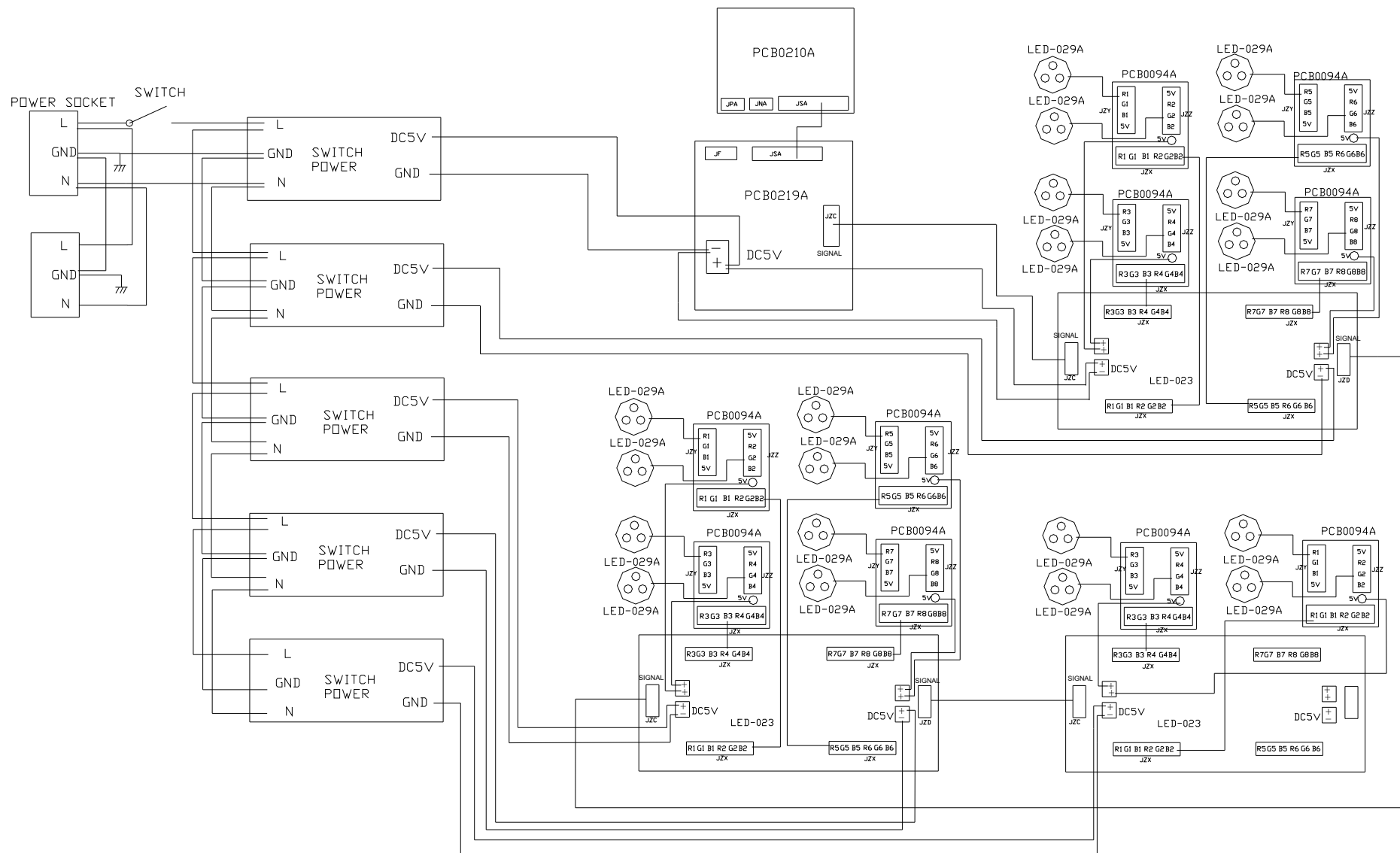
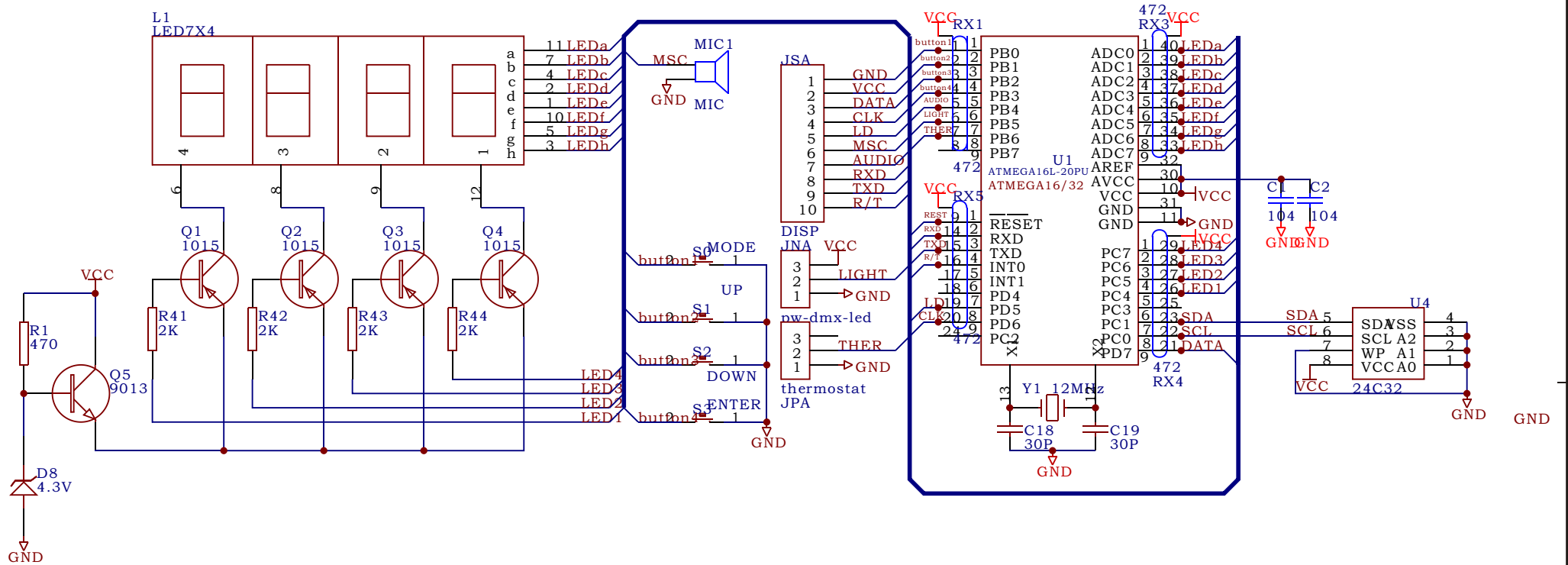


圖 A  
 比例 0.015

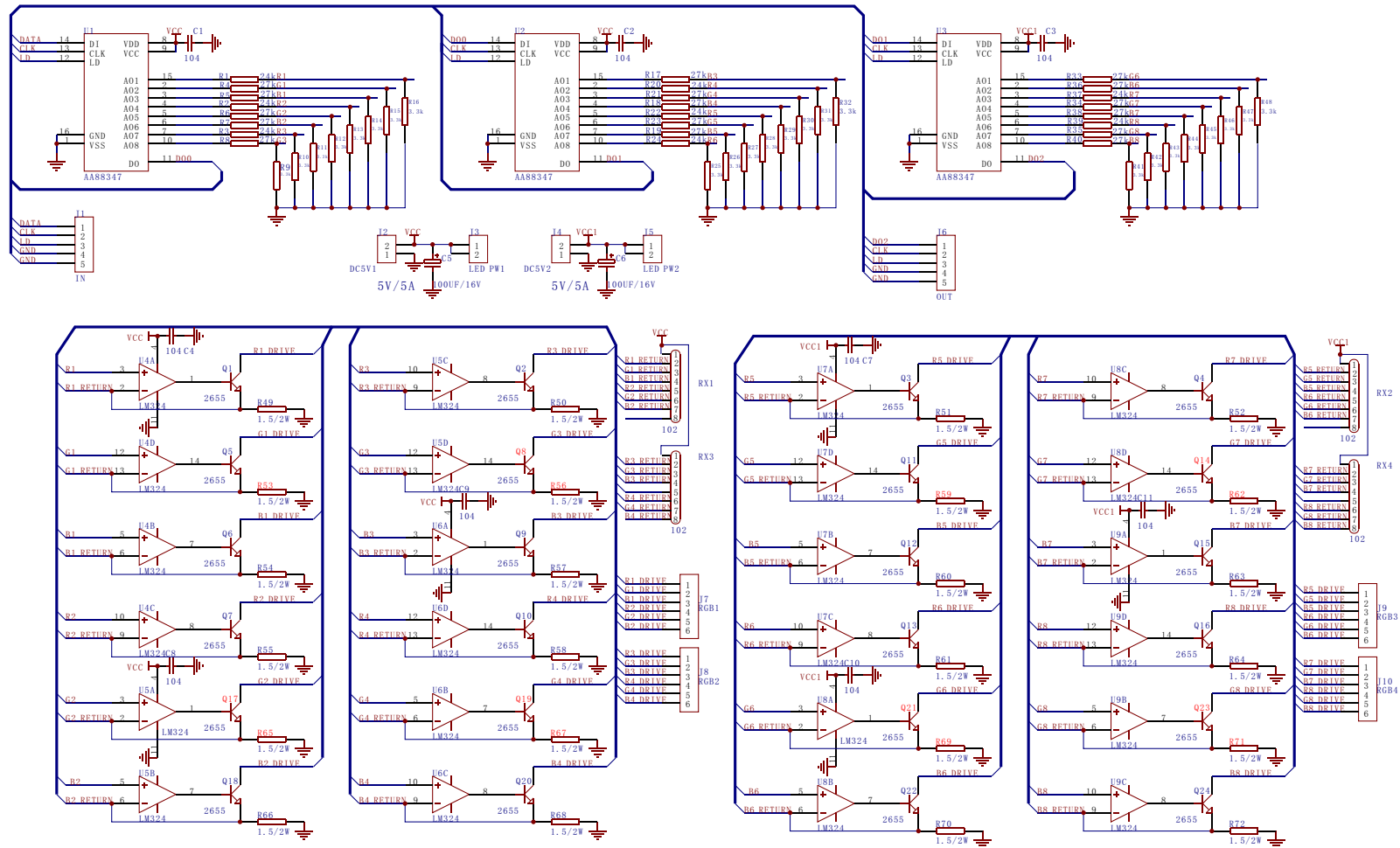
PRODUCT		FUTURELIGHT POS-60 MK2			
PIC. NO.		13-0055-01-02-00			
EDIT		FILE NO.		PAGE NO.	4/10
CHECK		VERSION	NR	DATE	2008.04.25
APPROVE		ECN NO.		DATE	



PRODUCT		FUTURELIGHT POS-60 MK2			
PIC. NO.		LB-60D ELECTRIC			
EDIT		FILE NO.		PAGE NO.	5/10
CHECK		VERSION	NR	DATE	2008.04.25
APPROVE		ECN NO.		DATE	

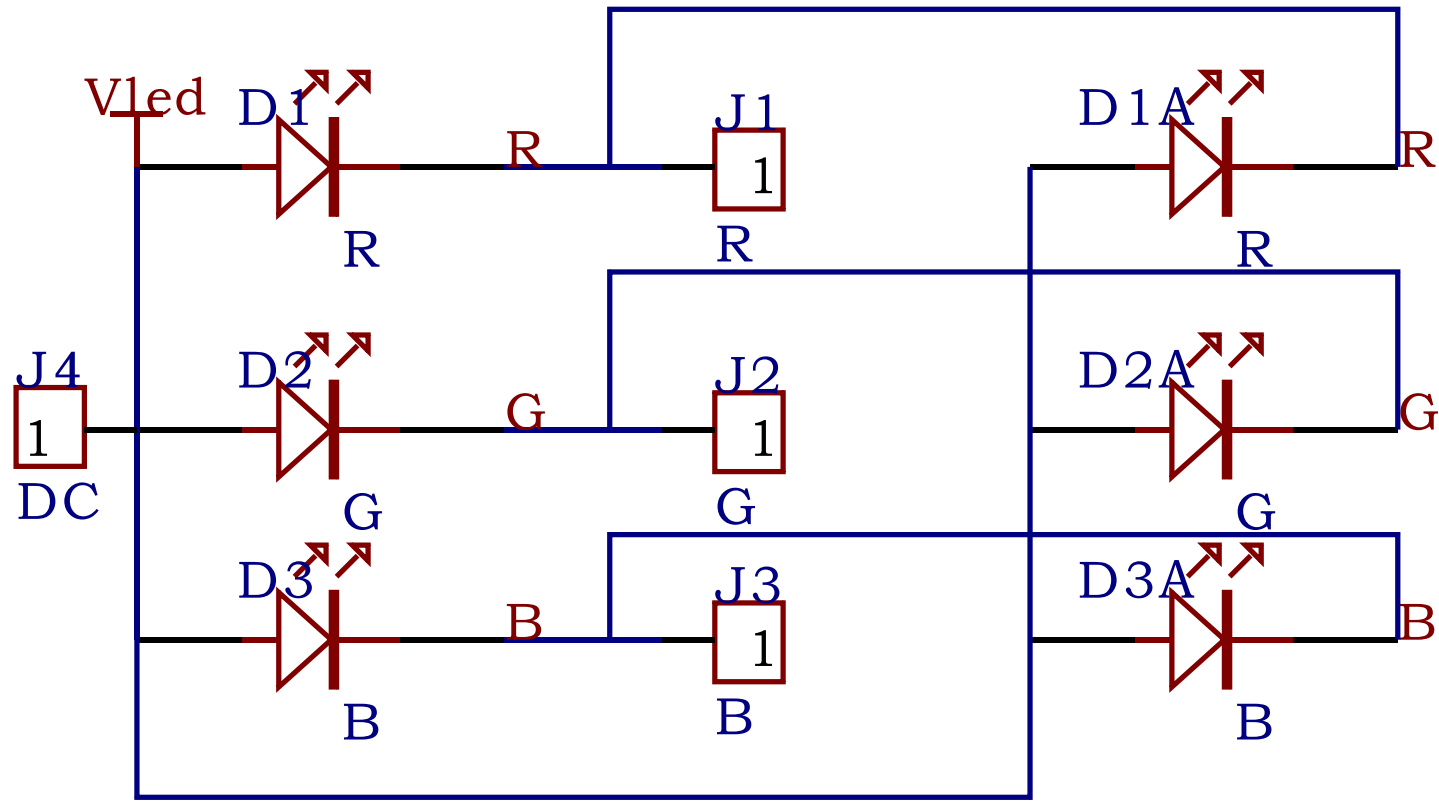


PRODUCT		FUTURELIGHT POS-60 MK2			
PIC. NO.		PCB0210A SCHEME			
EDIT		FILE NO.		PAGE NO.	6/10
CHECK		VERSION	NR	DATE	2008.04.25
APPROVE		ECN NO.		DATE	

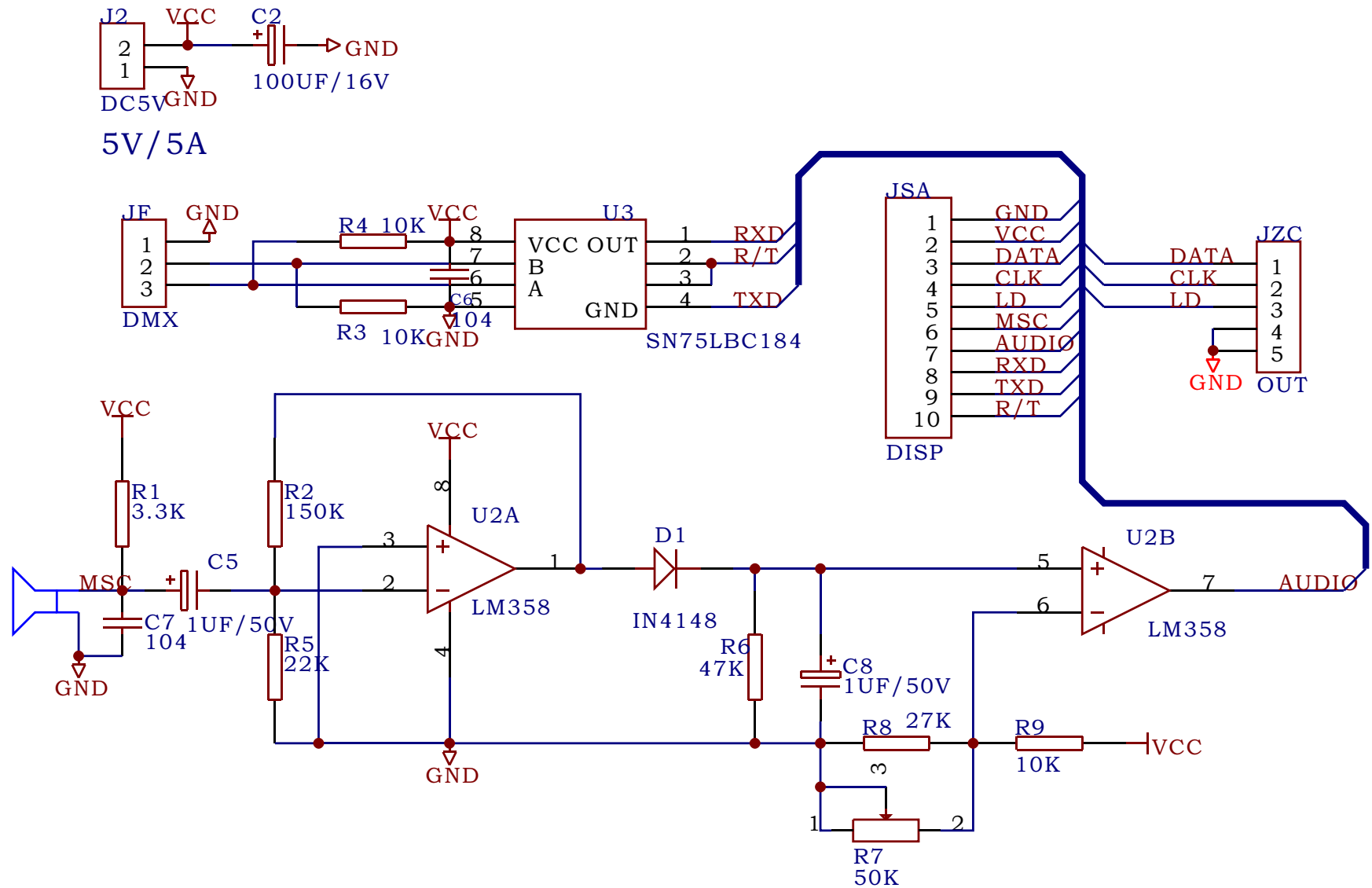


PRODUCT		FUTURELIGHT POS-60 MK2			
PIC. NO.		LED-023 SCHEME			
EDIT		FILE NO.		PAGE NO.	7/10
CHECK		VERSION	NR	DATE	2008.04.25
APPROVE		ECN NO.		DATE	

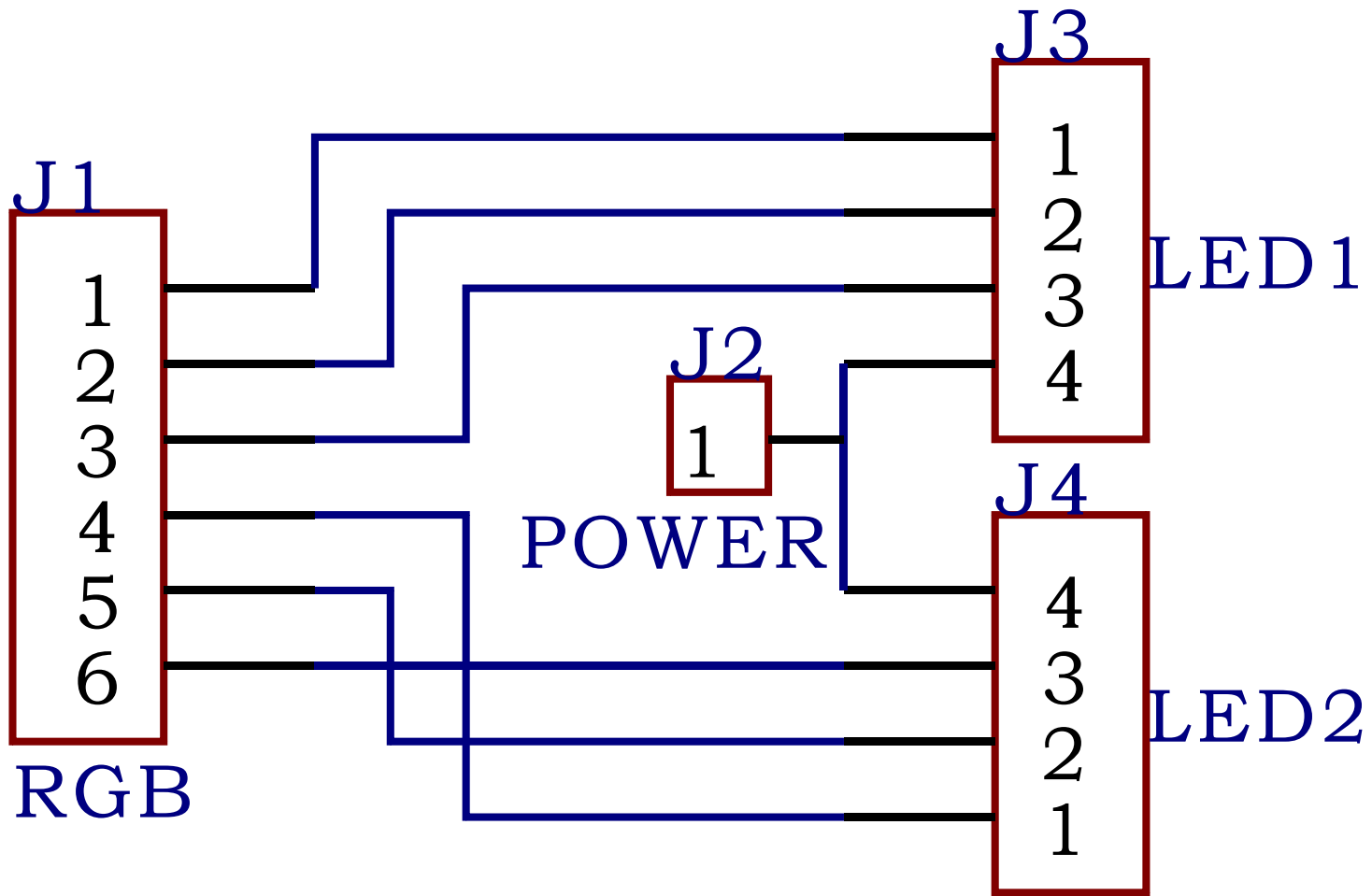




PRODUCT		FUTURELIGHT POS-60 MK2			
PIC. NO.		LED-029A SCHEME			
EDIT		FILE NO.		PAGE NO.	8/10
CHECK		VERSION	NR	DATE	2008.04.25
APPROVE		ECN NO.		DATE	



PRODUCT		FUTURELIGHT POS-60 MK2			
PIC. NO.		PCB0219A SCHEME			
EDIT		FILE NO.		PAGE NO.	9/10
CHECK		VERSION	NR	DATE	2008.04.25
APPROVE		ECN NO.		DATE	



PRODUCT		FUTURELIGHT POS-60 MK2			
PIC. NO.		PCB0094A SCHEME			
EDIT		FILE NO.		PAGE NO.	10/10
CHECK		VERSION	NR	DATE	2008. 04. 25
APPROVE		ECN NO.		DATE	