

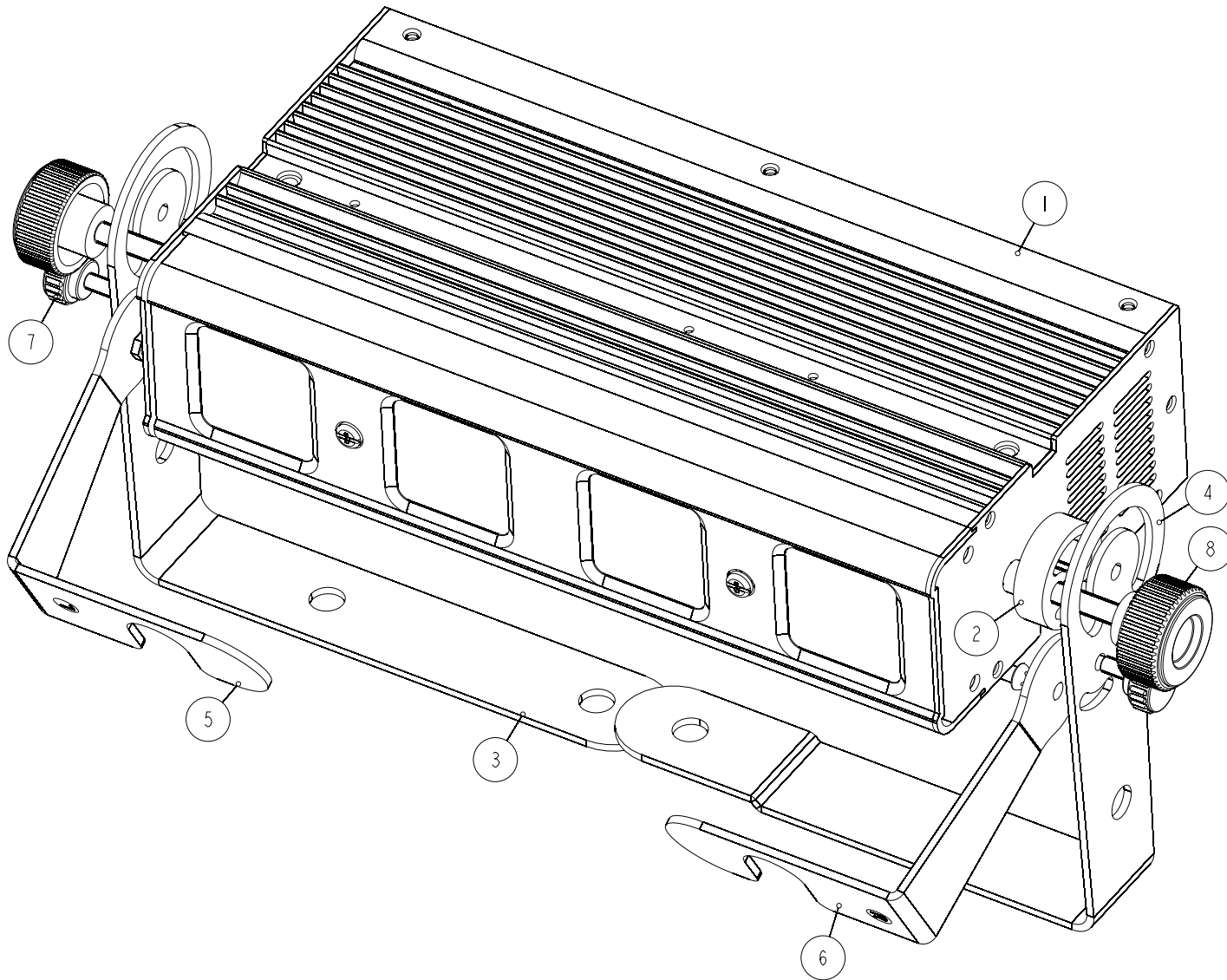
Service manual

LB-12 TCL

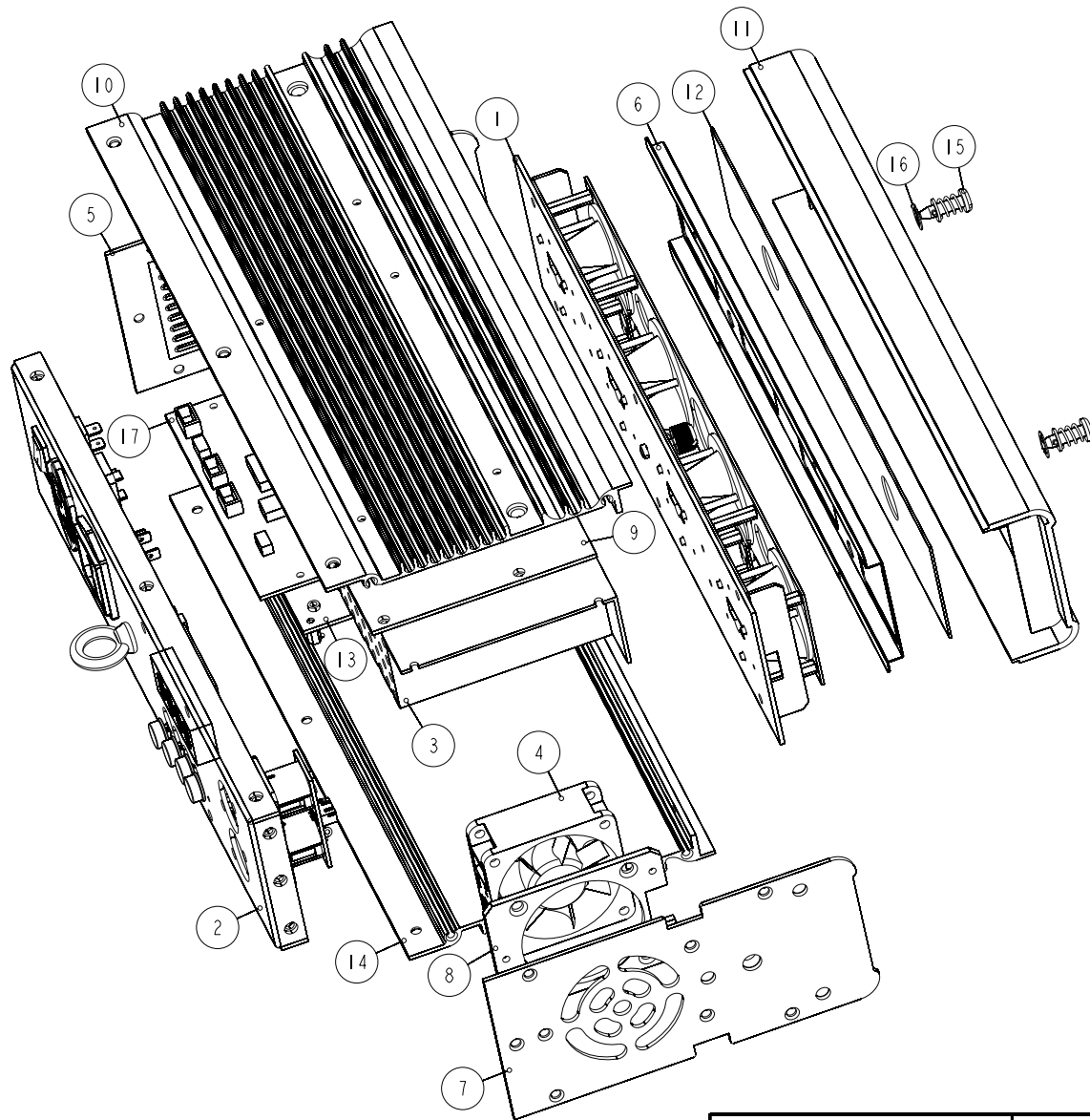
- ※ **Exploded Diagrams**
- ※ **Circuit Diagrams**
- ※ **Wiring Diagrams**
- ※ **Parts List**



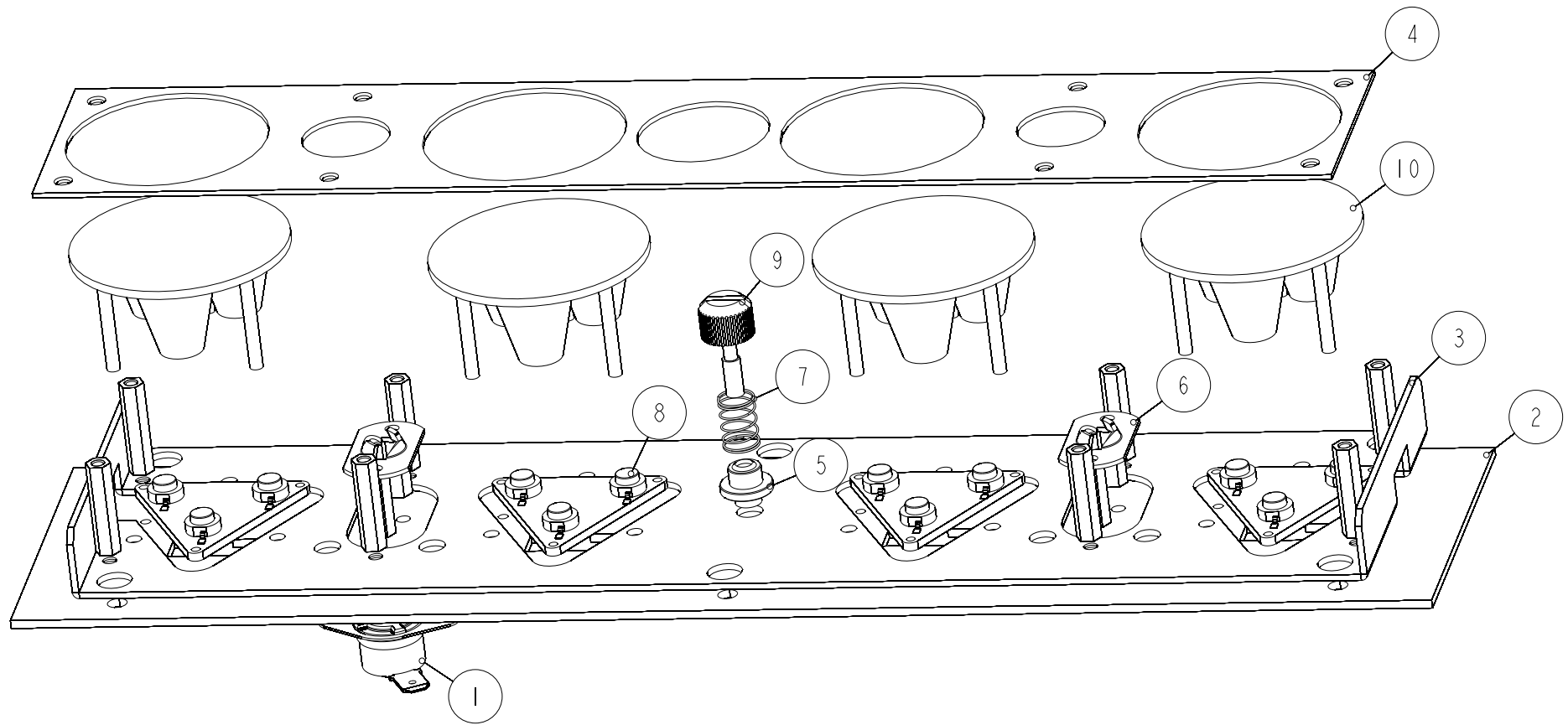
PRODUCT		FUTURELIGHT LB-12TCL			
PIC. NO.		Front Page			
EDIT		FILE NO.			
CHECK		ORDER NO.			
APPROVE		VERSION	NR	VERSION	V1.0



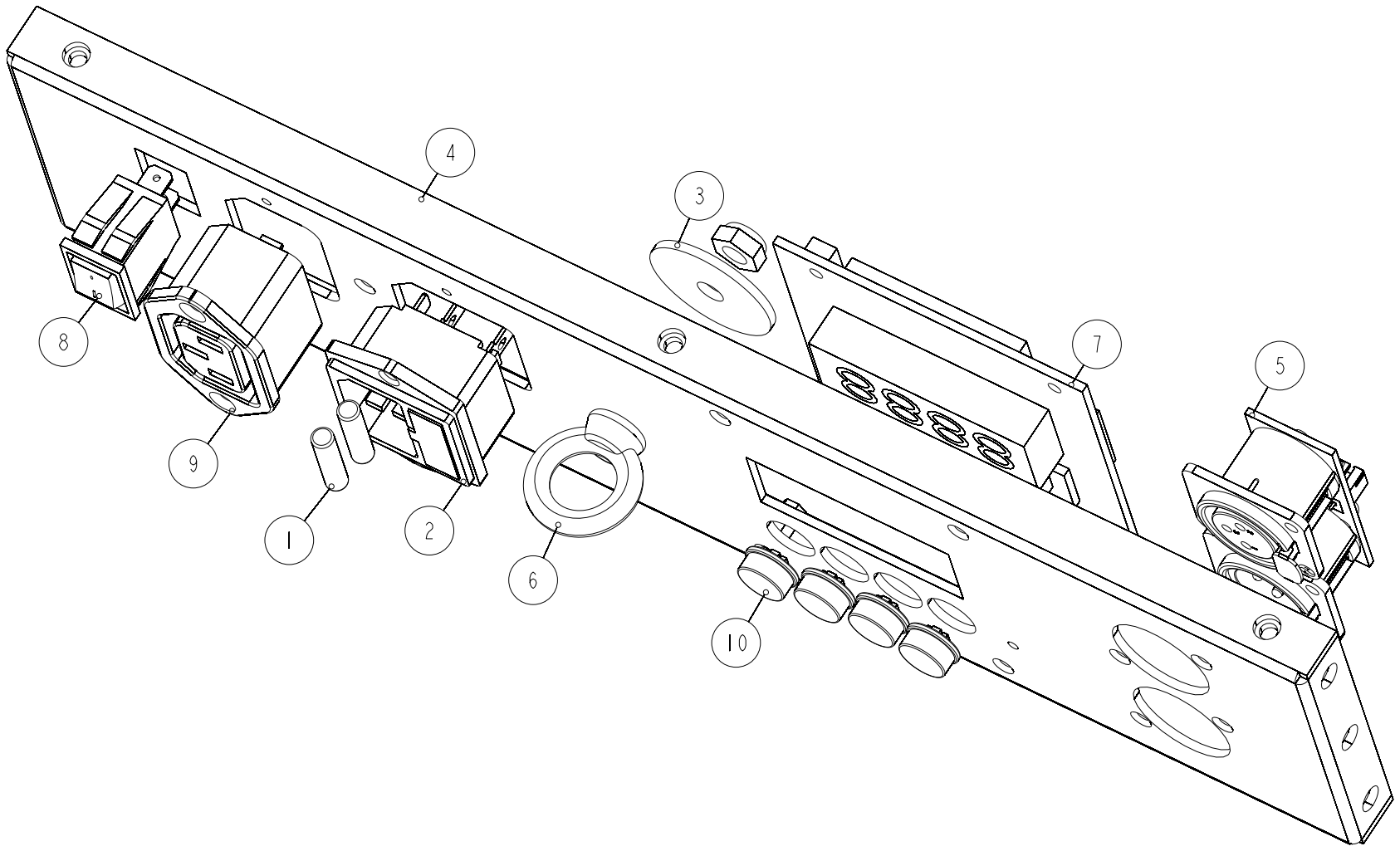
PRODUCT		FUTURELIGHT LB-12TCL			
PIC. NO.		13-0050-00-00-00			
EDIT		FILE NO.		PAGE NO.	1/8
CHECK		VERSION	NR	DATE	2008.01.29
APPROVE		ECN NO.		DATE	



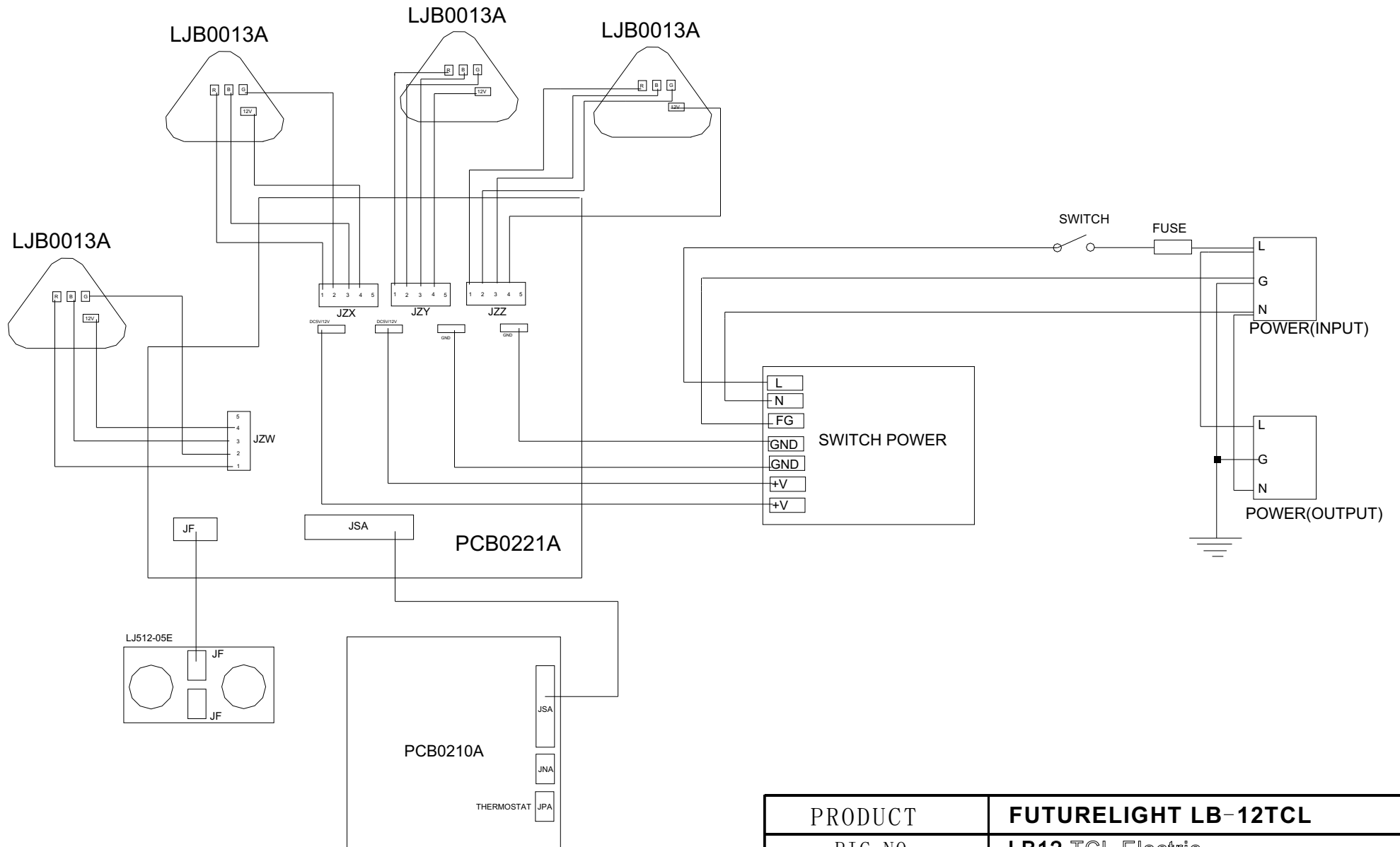
PRODUCT		FUTURELIGHT LB-12TCL			
PIC. NO.		13-0050-01-00-00			
EDIT		FILE NO.		PAGE NO.	2/8
CHECK		VERSION	NR	DATE	2008.01.29
APPROVE		ECN NO.		DATE	



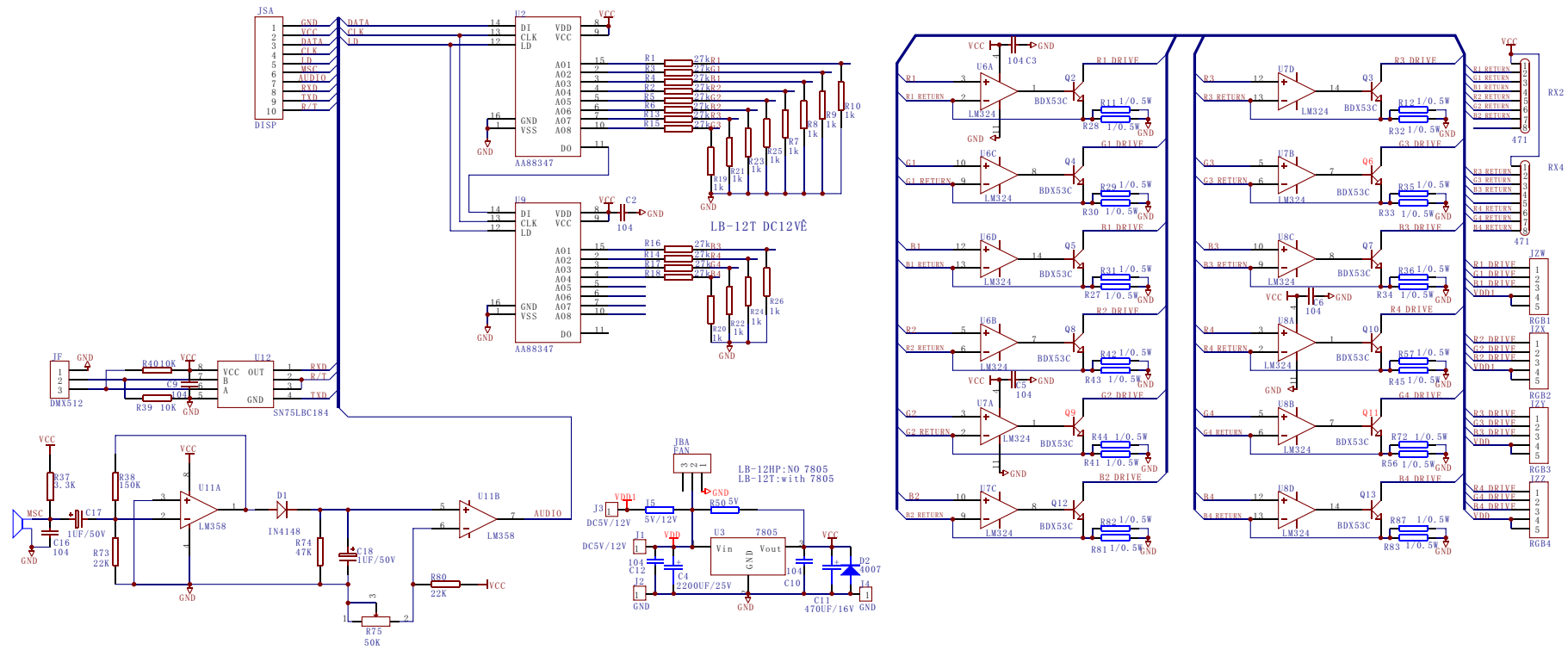
PRODUCT		FUTURELIGHT LB-12TCL			
PIC. NO.		10-0054-01-01-00			
EDIT		FILE NO.		PAGE NO.	3/8
CHECK		VERSION	NR	DATE	2008.01.29
APPROVE		ECN NO.		DATE	



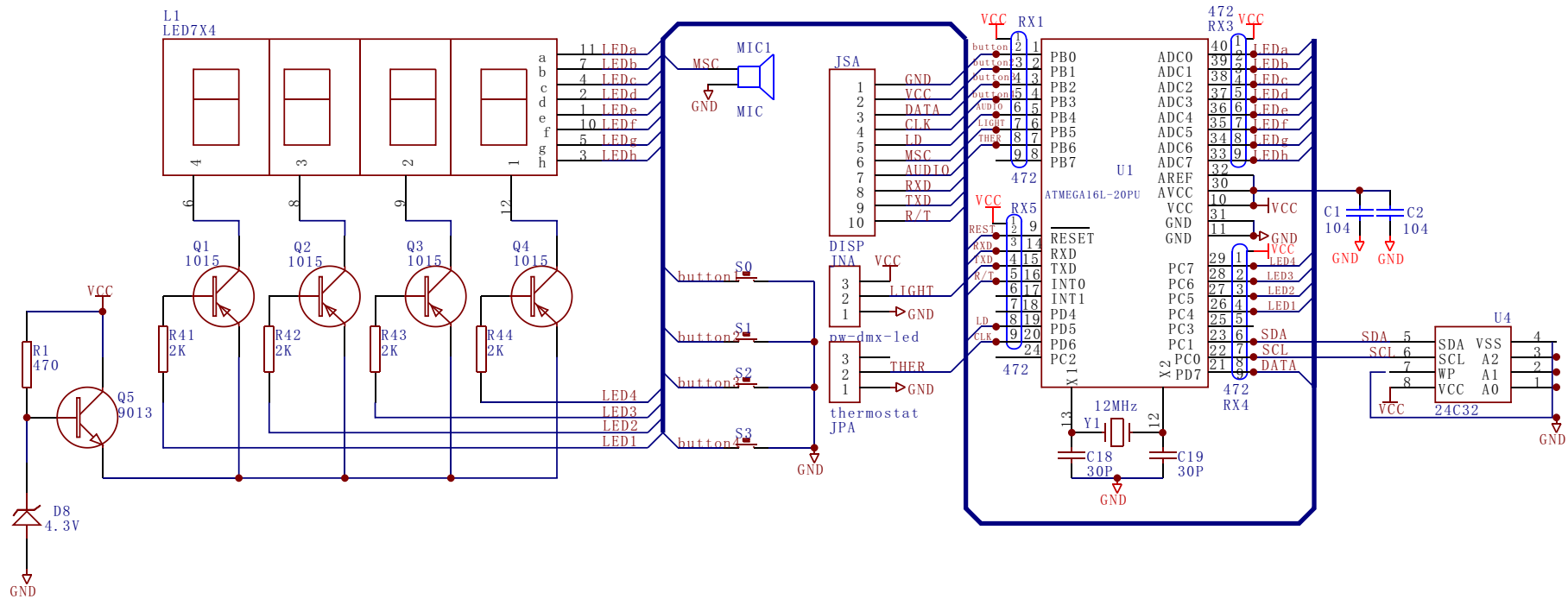
PRODUCT		FUTURELIGHT LB-12TCL			
PIC. NO.		13-0050-01-02-00			
EDIT		FILE NO.		PAGE NO.	4/8
CHECK		VERSION	NR	DATE	2008.01.29
APPROVE		ECN NO.		DATE	



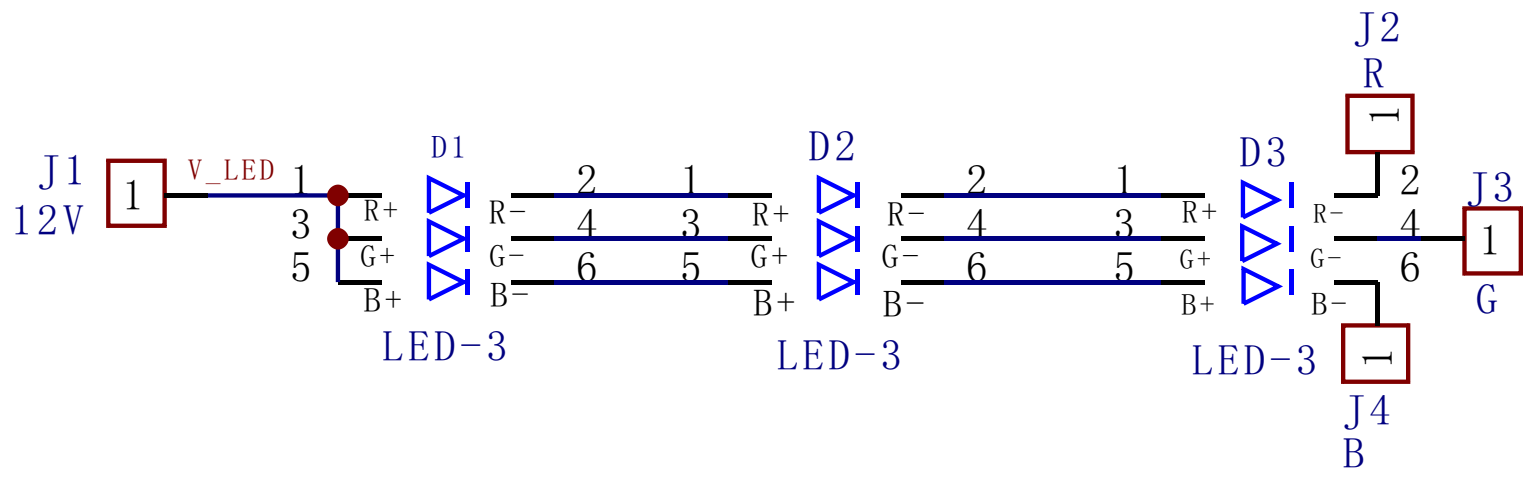
PRODUCT		FUTURELIGHT LB-12TCL			
PIC. NO.		LB12 TCL Electric			
EDIT		FILE NO.		PAGE NO.	5/8
CHECK		VERSION	NR	DATE	2008.01.29
APPROVE		ECN NO.		DATE	



PRODUCT		FUTURELIGHT LB-12TCL			
PIC. NO.		PCB0221A SCHEME			
EDIT		FILE NO.		PAGE NO.	6/8
CHECK		VERSION	NR	DATE	2008.01.29
APPROVE		ECN NO.		DATE	



PRODUCT		FUTURELIGHT LB-12TCL			
PIC. NO.		PCB0210A SCHEME			
EDIT		FILE NO.		PAGE NO.	7/8
CHECK		VERSION	NR	DATE	2008.01.29
APPROVE		ECN NO.		DATE	



PRODUCT		FUTURELIGHT LB-12TCL			
PIC. NO.		LJB0013A SCHEME			
EDIT		FILE NO.		PAGE NO.	8/8
CHECK		VERSION	NR	DATE	2008.01.29
APPROVE		ECN NO.		DATE	