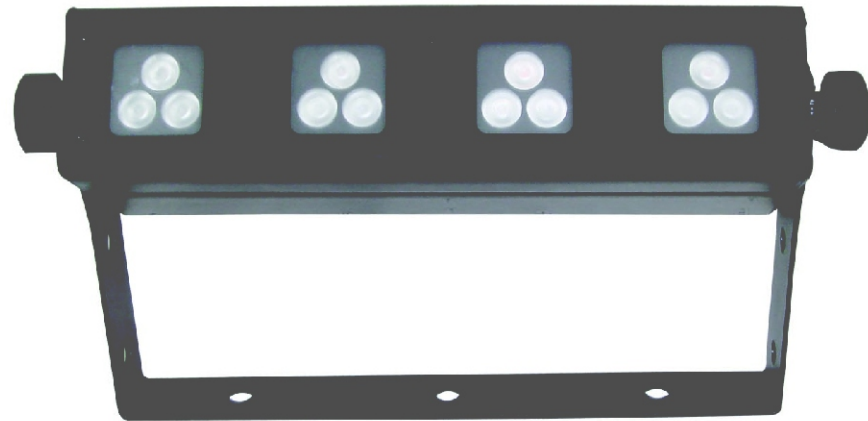


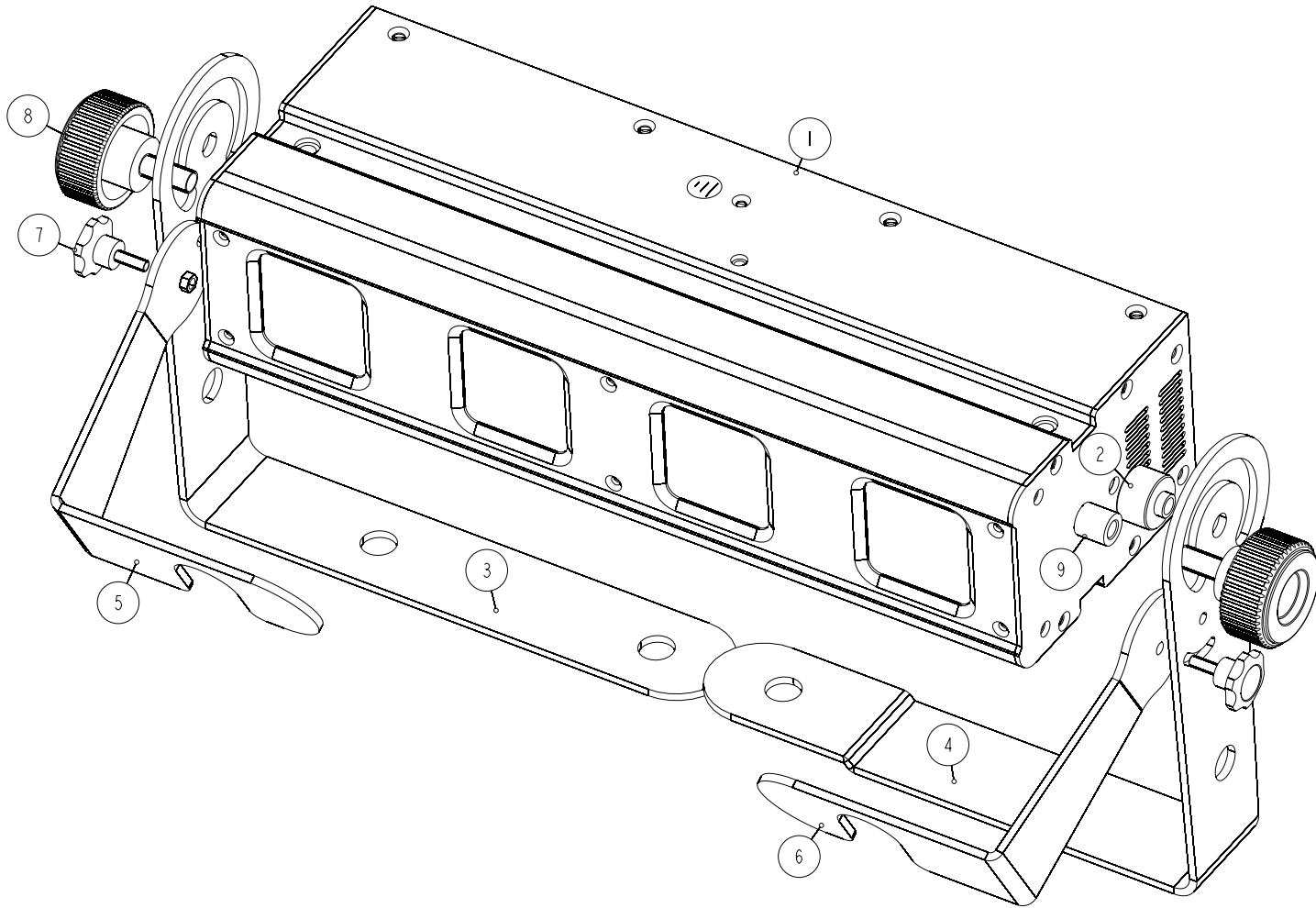
Service manual

DIGIBLIND

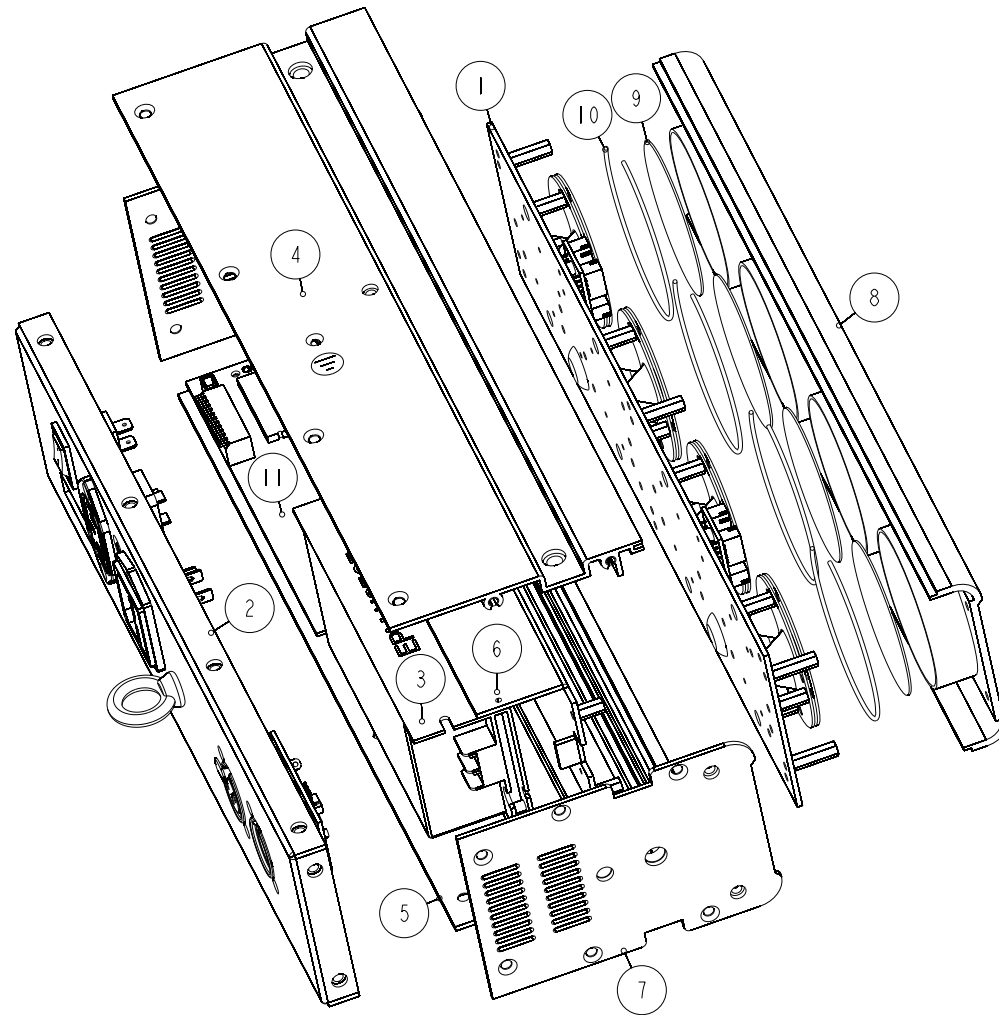
- ※ **Exploded Diagrams**
- ※ **Circuit Diagrams**
- ※ **Wiring Diagrams**
- ※ **Parts List**



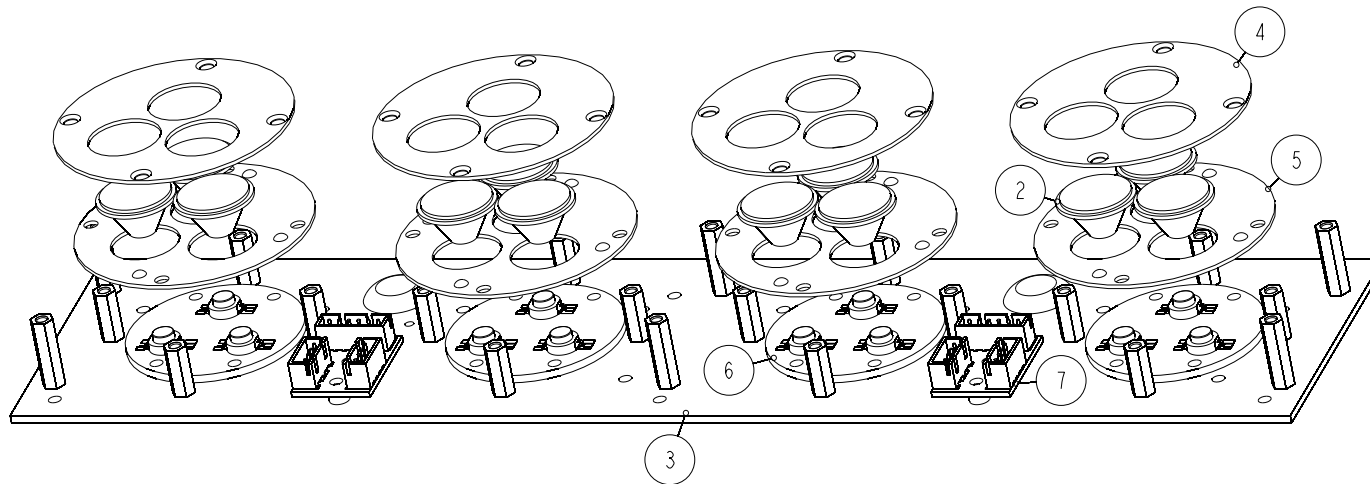
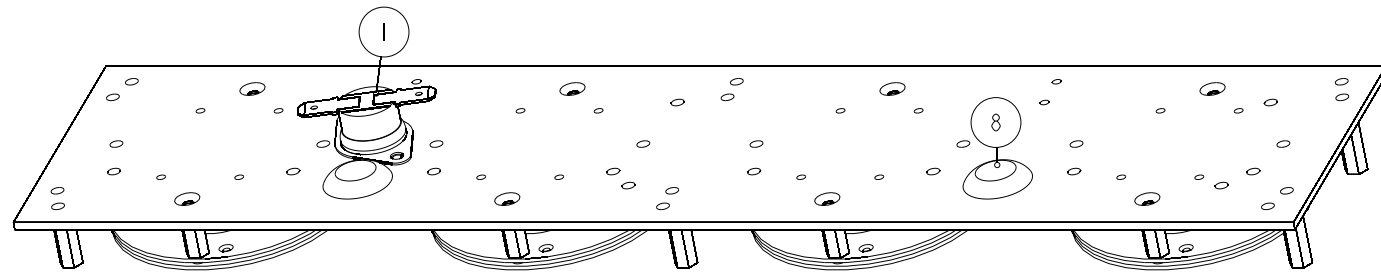
| | | | | | |
|-----------------|--|-------------------|-------------|------|--------------|
| PRODUCT | | DIGIBLIND | | | |
| PIC. NO. | | Front Page | | | |
| EDIT | | FILE NO. | GS-EXP-070A | | |
| CHECK | | VERSION | NR | DATE | 2006. 12. 25 |
| APPROVE | | ECN NO. | | DATE | |



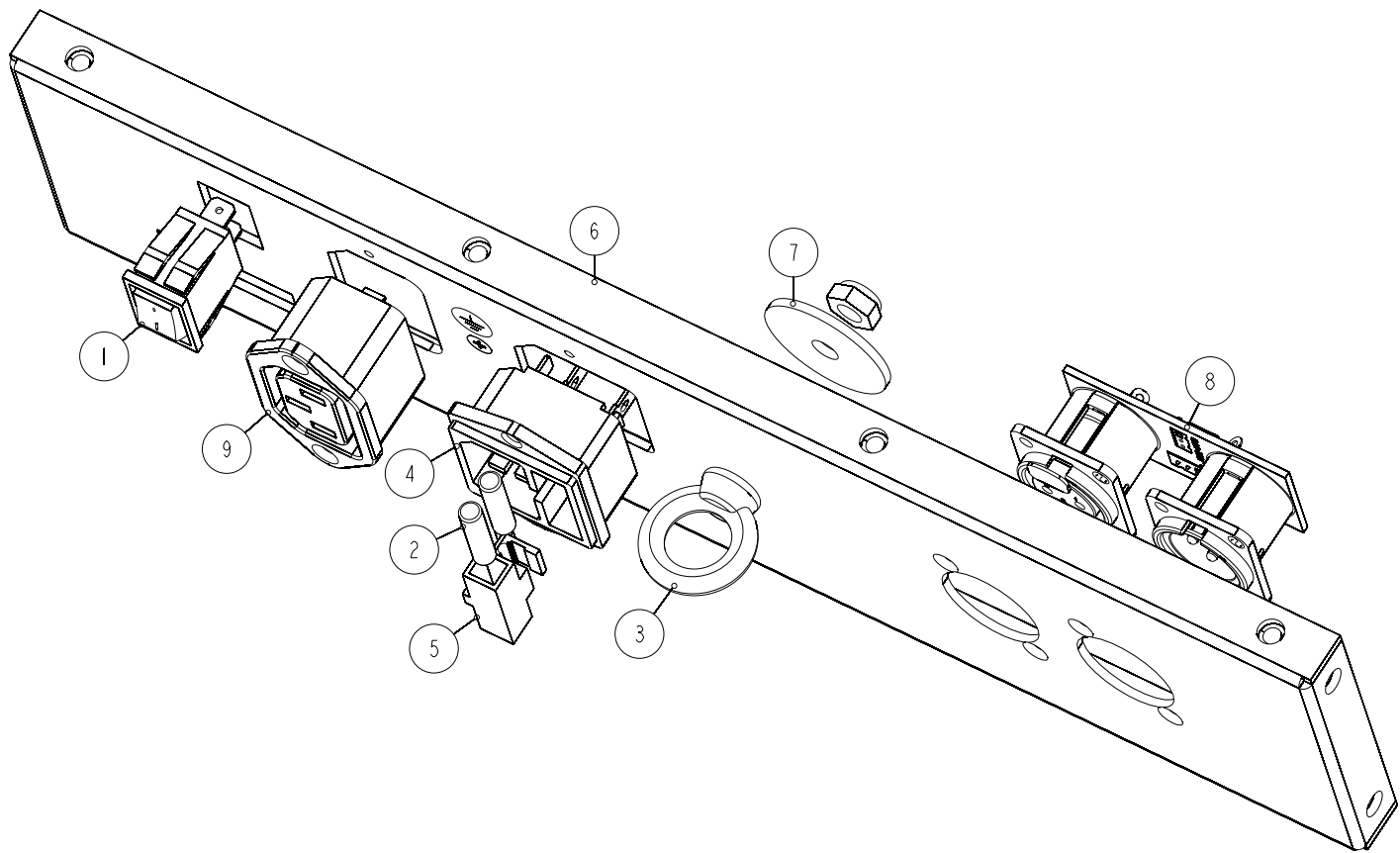
| | | | | | |
|----------|--|------------------|-------------|----------|--------------|
| PRODUCT | | DIGIBLIND | | | |
| PIC. NO. | | 00-0011-00-00-00 | | | |
| EDIT | | FILE NO. | GS-EXP-070A | PAGE NO. | 1/6 |
| CHECK | | VERSION | NR | DATE | 2006. 12. 25 |
| APPROVE | | ECN NO. | | DATE | |



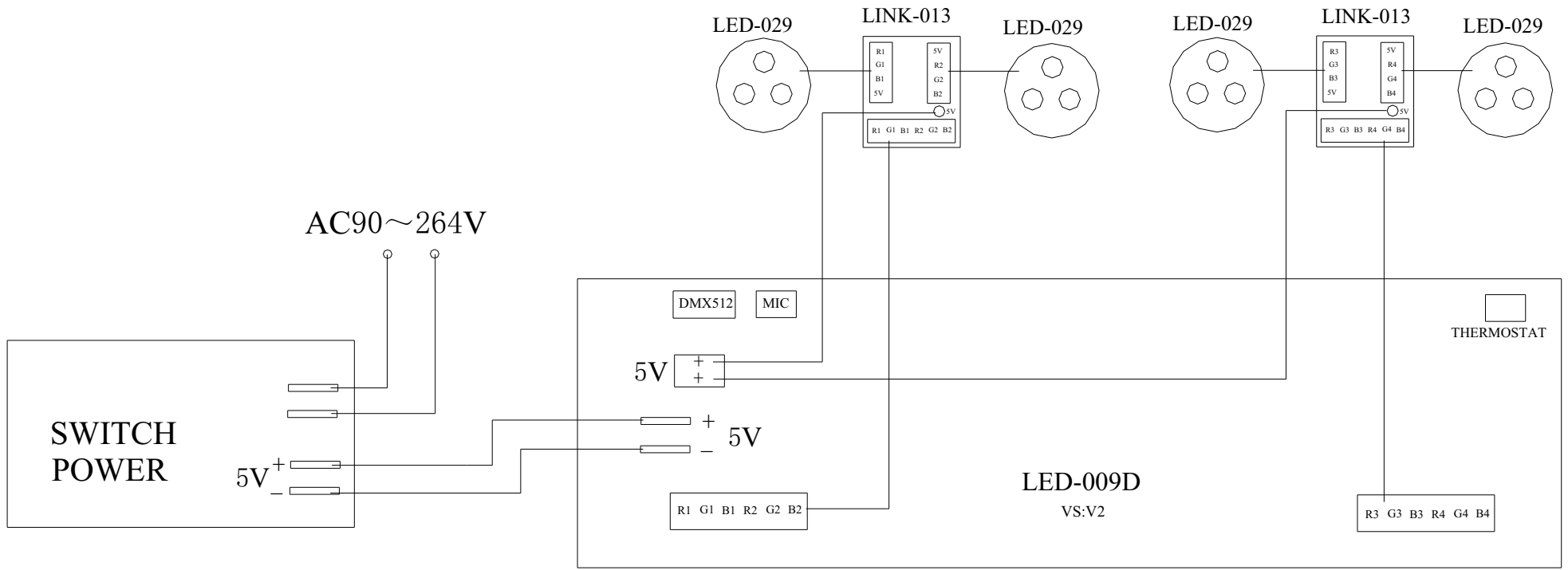
| | | | | | |
|----------|--|------------------|-------------|----------|--------------|
| PRODUCT | | DIGIBLIND | | | |
| PIC. NO. | | 00-0011-01-00-00 | | | |
| EDIT | | FILE NO. | GS-EXP-070A | PAGE NO. | 2/6 |
| CHECK | | VERSION | NR | DATE | 2006. 12. 25 |
| APPROVE | | ECN NO. | | DATE | |



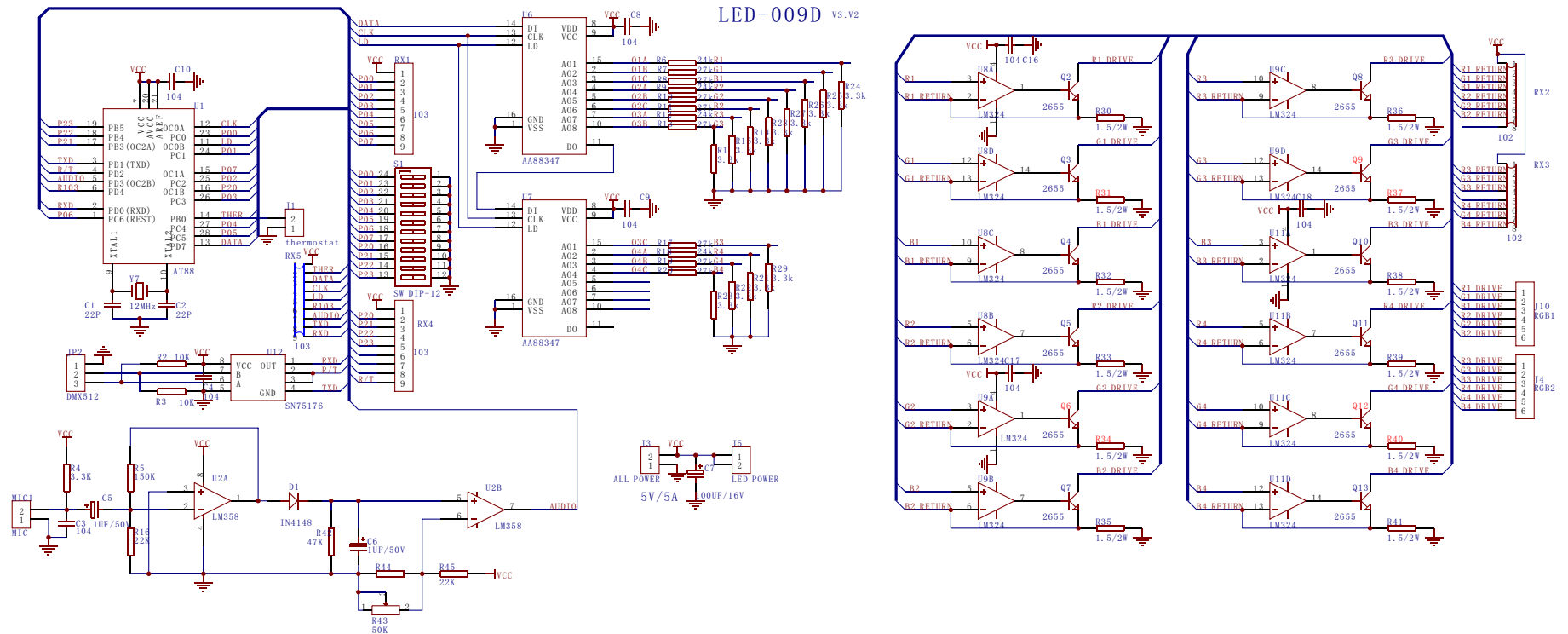
| | | | | | |
|----------|--|------------------|-------------|----------|--------------|
| PRODUCT | | DIGIBLIND | | | |
| PIC. NO. | | 00-0008-01-01-00 | | | |
| EDIT | | FILE NO. | GS-EXP-070A | PAGE NO. | 3/6 |
| CHECK | | VERSION | NR | DATE | 2006. 12. 25 |
| APPROVE | | ECN NO. | | DATE | |



| | | | | | |
|----------|--|------------------|-------------|----------|--------------|
| PRODUCT | | DIGIBLIND | | | |
| PIC. NO. | | 00-0011-01-02-00 | | | |
| EDIT | | FILE NO. | GS-EXP-070A | PAGE NO. | 4/6 |
| CHECK | | VERSION | NR | DATE | 2006. 12. 25 |
| APPROVE | | ECN NO. | | DATE | |



| | | | | | |
|----------|--|-----------------|--------------|----------|--------------|
| PRODUCT | | DIGIBLIND | | | |
| PIC. NO. | | LB-12P ELECTRIC | | | |
| EDIT | | FILE NO. | GS-WIJL-G001 | PAGE NO. | 5/6 |
| CHECK | | VERSION | NR | DATE | 2006. 12. 25 |
| APPROVE | | ECN NO. | | DATE | |



| | | | | | |
|----------|--|----------------------|-------------|----------|--------------|
| PRODUCT | | DIGIBLIND | | | |
| PIC. NO. | | LED-009D (V2) SCHEME | | | |
| EDIT | | FILE NO. | GS-WIDL-095 | PAGE NO. | 6/6 |
| CHECK | | VERSION | NR | DATE | 2006. 12. 25 |
| APPROVE | | ECN NO. | | DATE | |