

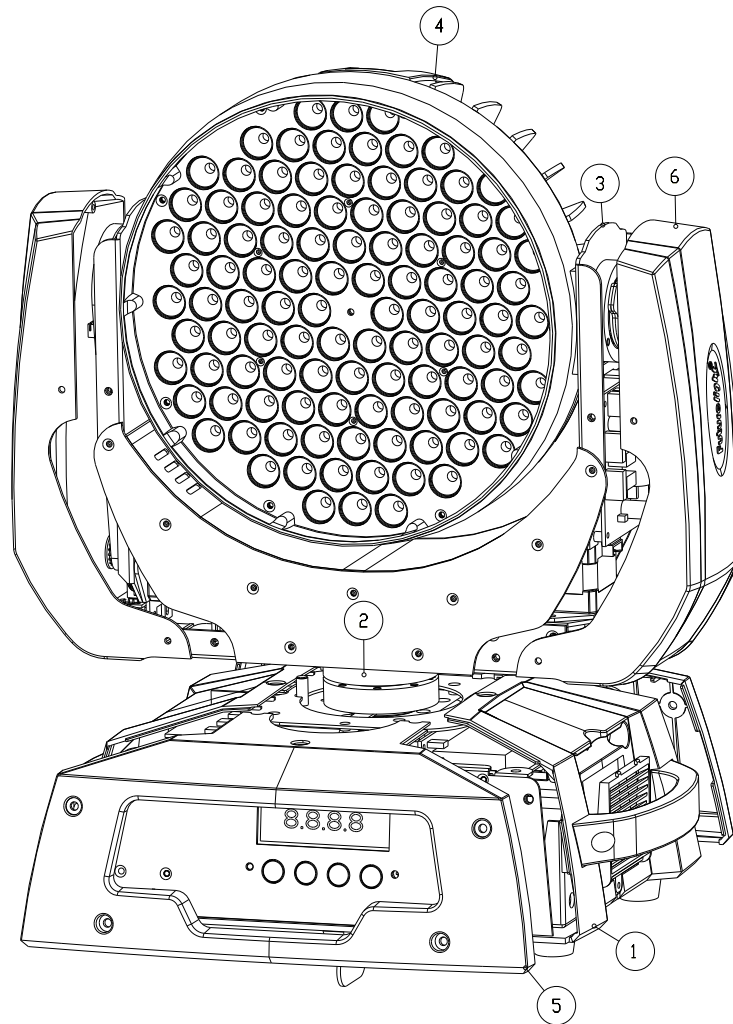
Service manual

EYE -108 RGBW

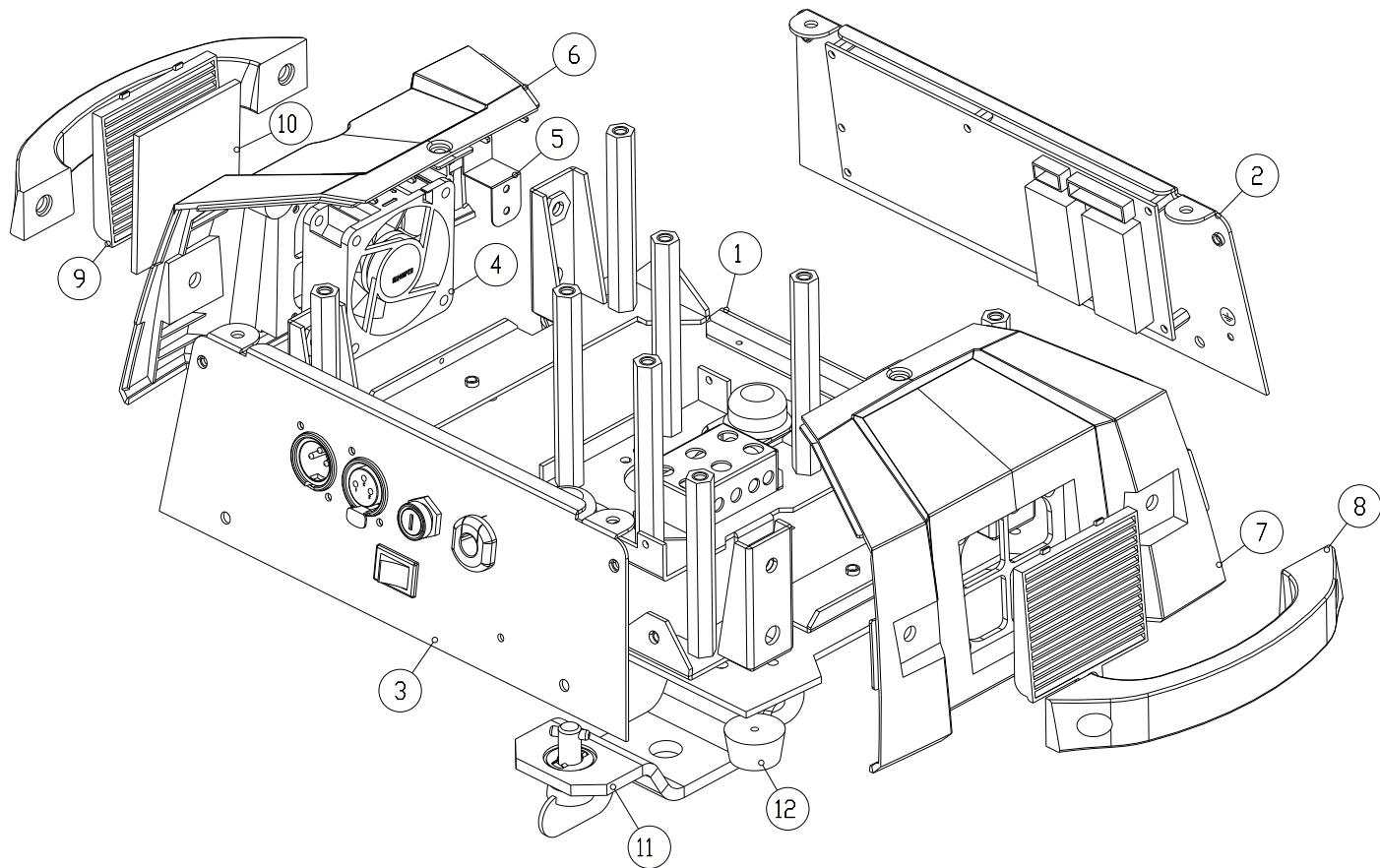
- ✘ **Exploded Diagrams**
- ✘ **Circuit Diagrams**
- ✘ **Wiring Diagrams**
- ✘ **Parts List**



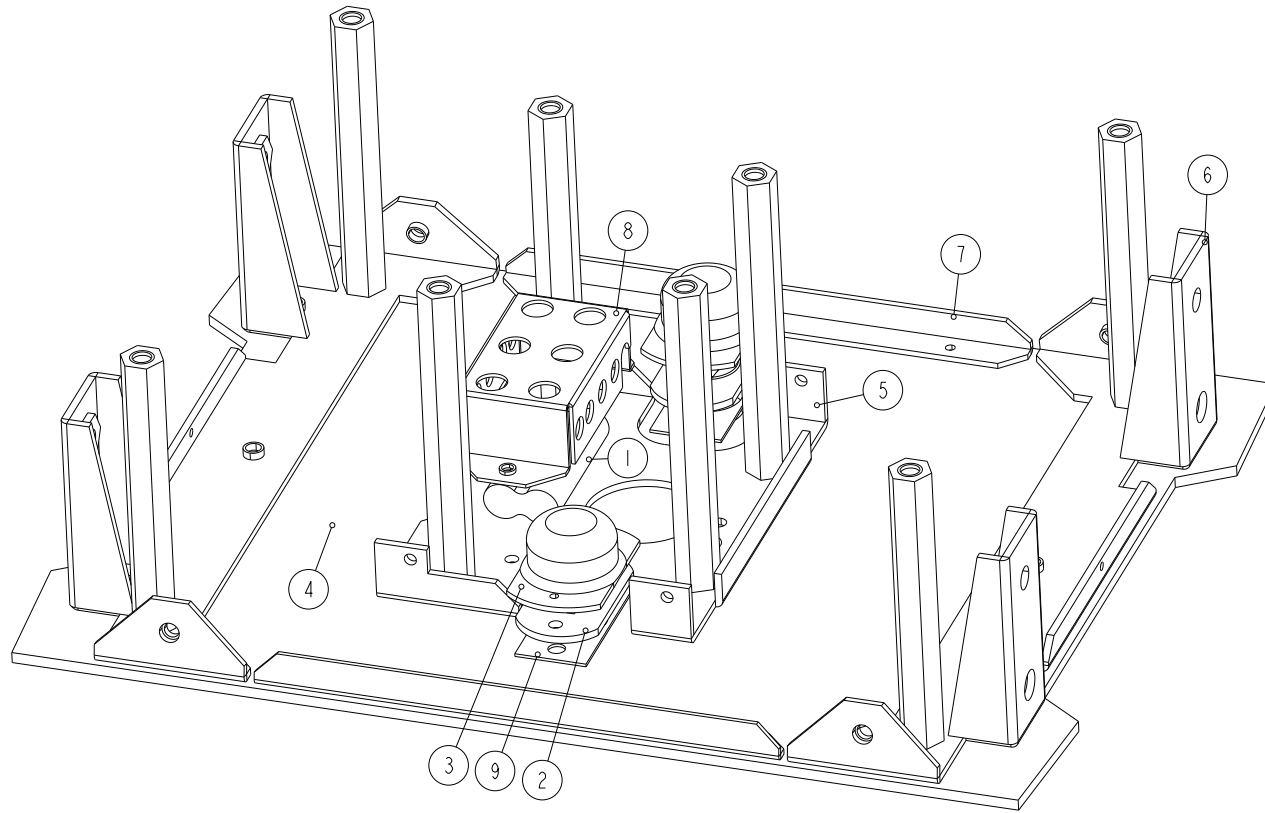
PRODUCT		EYE-108 RGBW		
PIC. NO.		Front Page	Series NO	51841339X09NXS00010001-40
EDIT		FILE NO.	HY-EXP-600A	
CHECK		ORDER NO.	SO20090225	
APPROVE		VERSION	NR	SOFTWARE VER. V1. 1



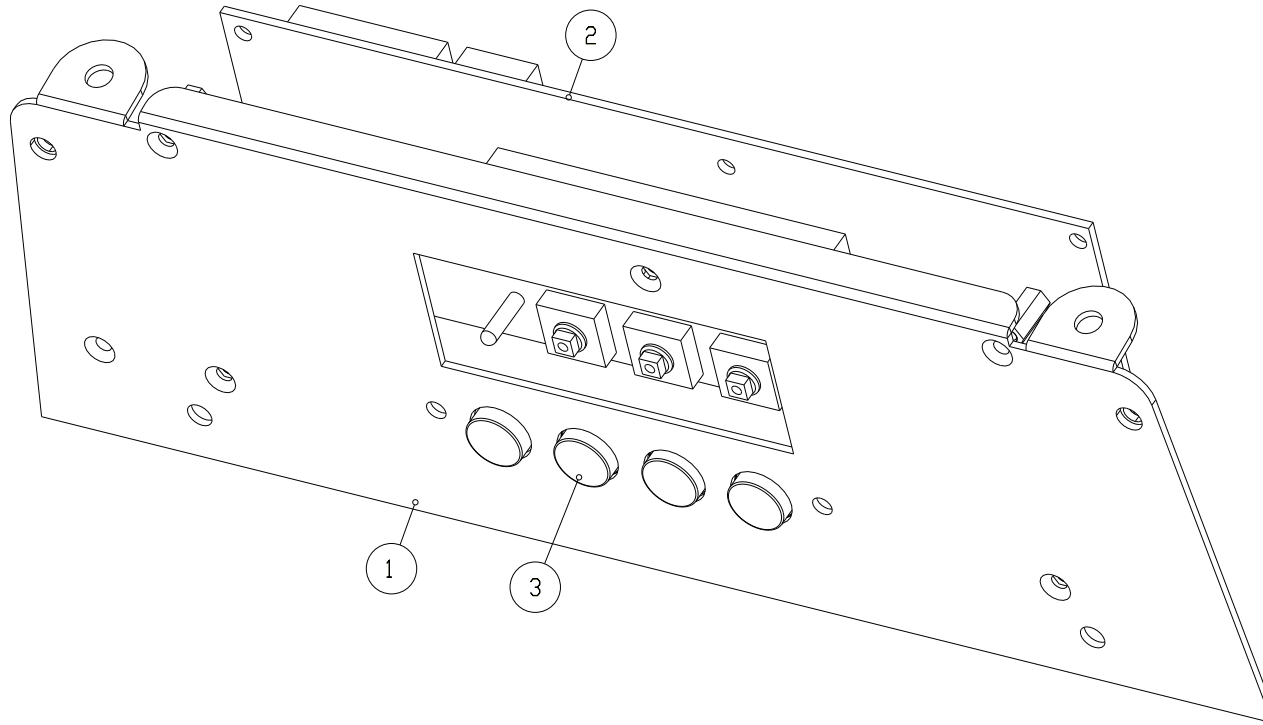
PRODUCT		EYE-108 RGBW			
PIC. NO.		13-0072-00-00-00			
EDIT		FILE NO.	HY-EXP-600A	PAGE NO.	1/15
CHECK		VERSION	NR	DATE	2009.10.07
APPROVE		ECN NO.		DATE	



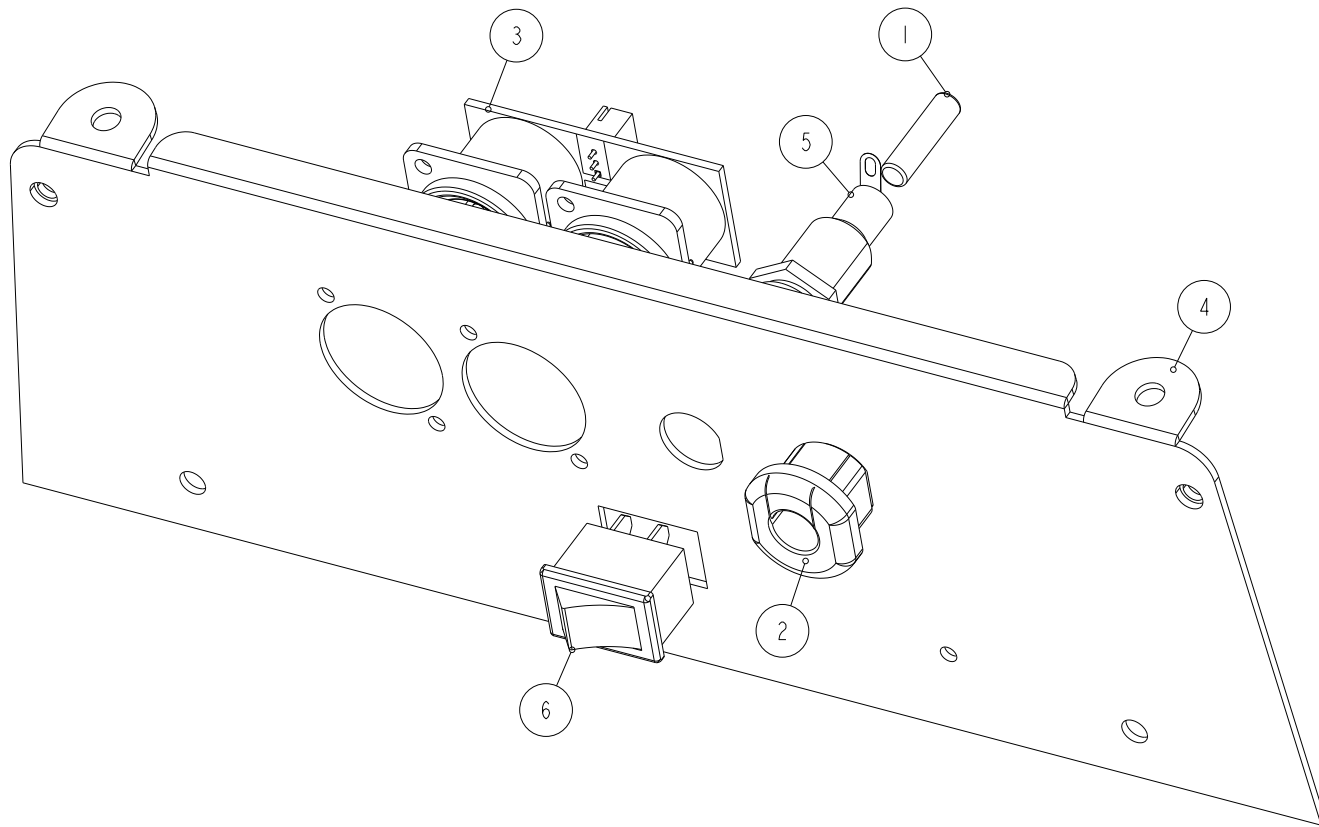
PRODUCT		EYE-108 RGBW			
PIC. NO.		13-0072-01-00-00			
EDIT		FILE NO.	HY-EXP-600A	PAGE NO.	2/15
CHECK		VERSION	NR	DATE	2009.10.07
APPROVE		ECN NO.		DATE	



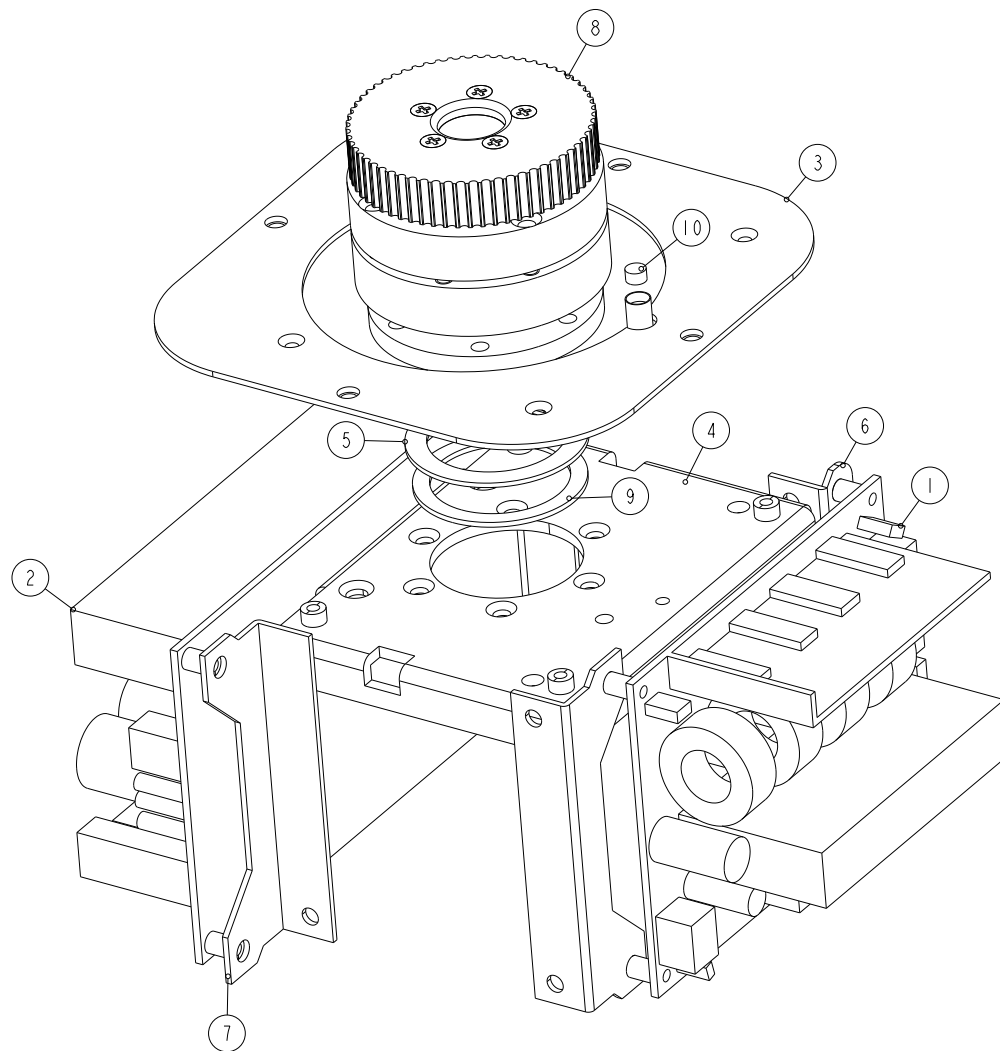
PRODUCT		EYE-108 RGBW			
PIC. NO.		13-0066-01-01-00			
EDIT		FILE NO.	HY-EXP-600A	PAGE NO.	3/15
CHECK		VERSION	NR	DATE	2009.10.07
APPROVE		ECN NO.		DATE	



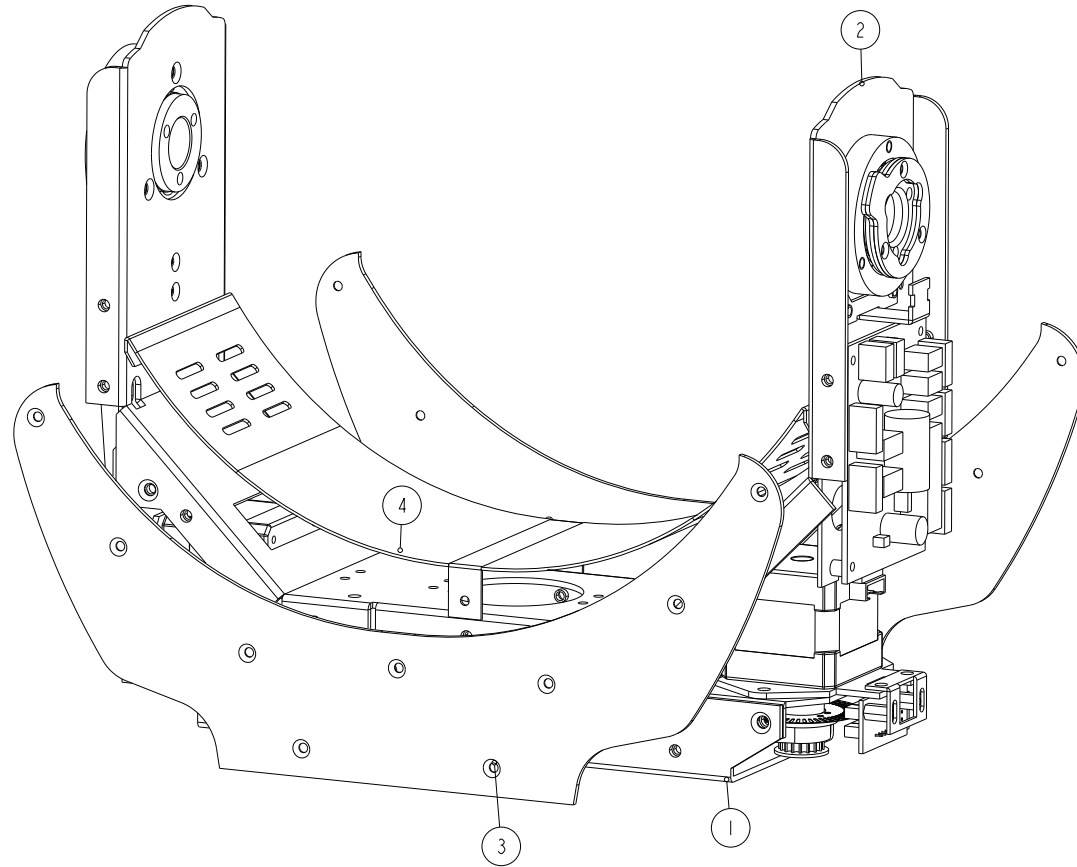
PRODUCT		EYE-108 RGBW			
PIC. NO.		13-0072-01-02-00			
EDIT		FILE NO.	HY-EXP-600A	PAGE NO.	4/15
CHECK		VERSION	NR	DATE	2009.10.07
APPROVE		ECN NO.		DATE	



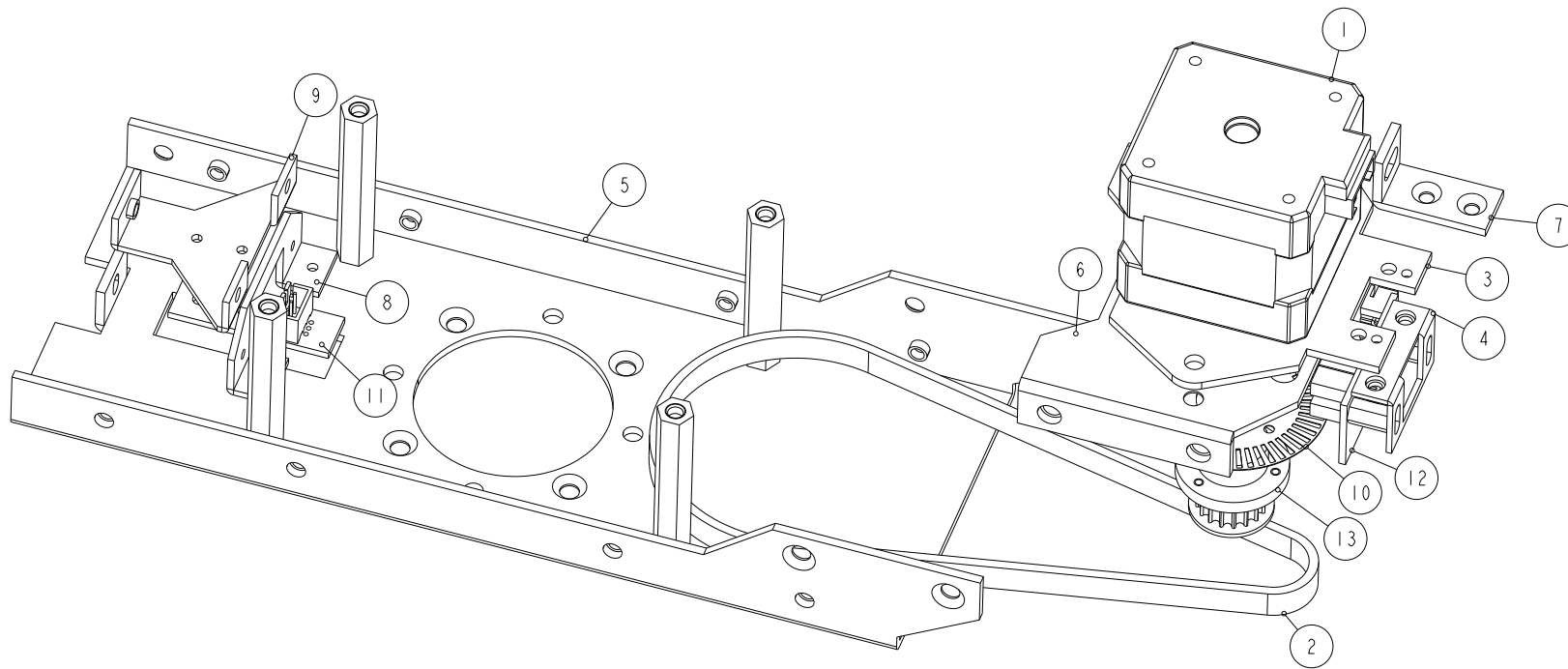
PRODUCT		EYE-108 RGBW			
PIC. NO.		13-0066-01-03-00			
EDIT		FILE NO.	HY-EXP-600A	PAGE NO.	5/15
CHECK		VERSION	NR	DATE	2009.10.07
APPROVE		ECN NO.		DATE	



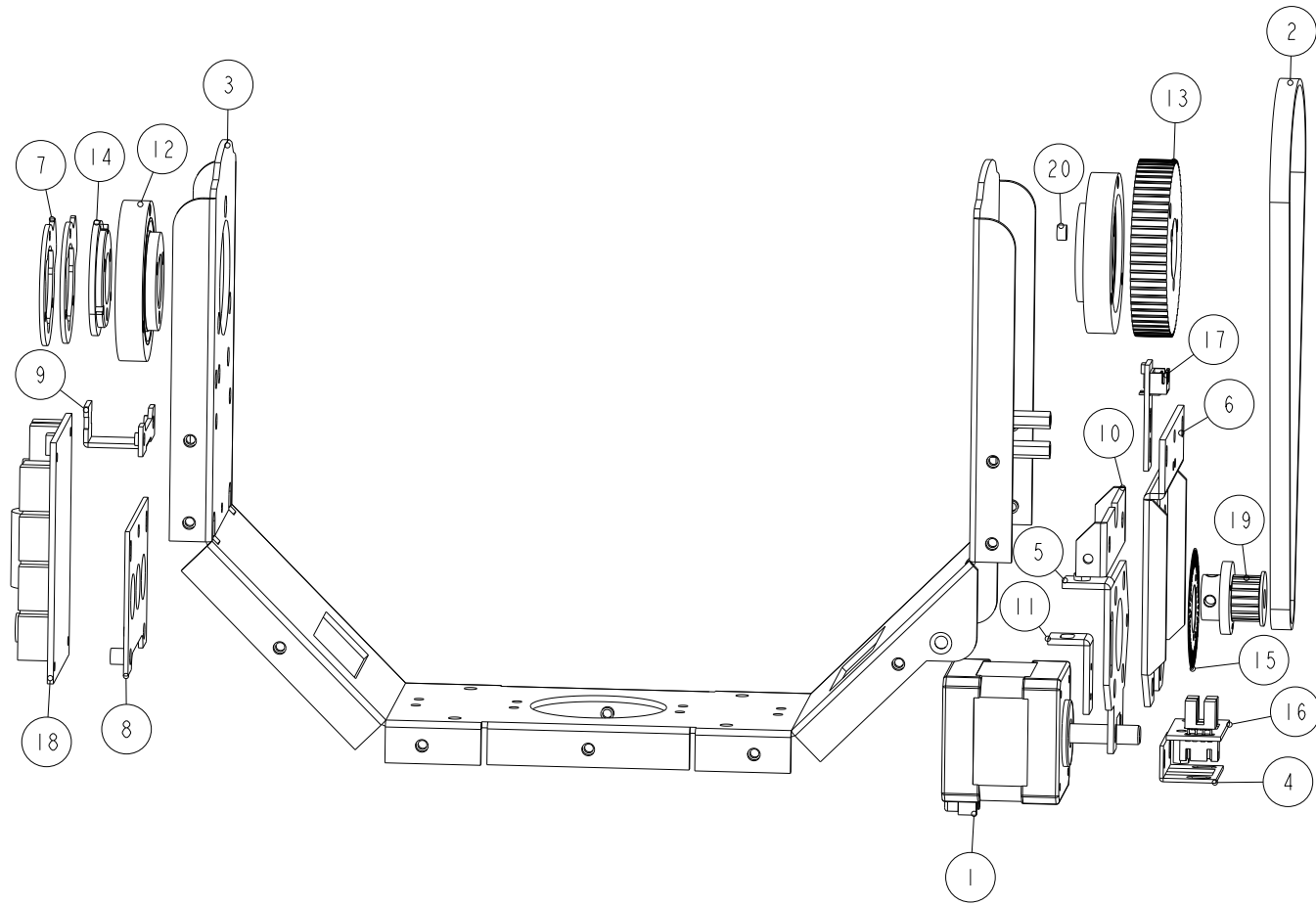
PRODUCT		EYE-108 RGBW			
PIC. NO.		13-0066-02-00-00			
EDIT		FILE NO.	HY-EXP-600A	PAGE NO.	6/15
CHECK		VERSION	NR	DATE	2009.10.07
APPROVE		ECN NO.		DATE	



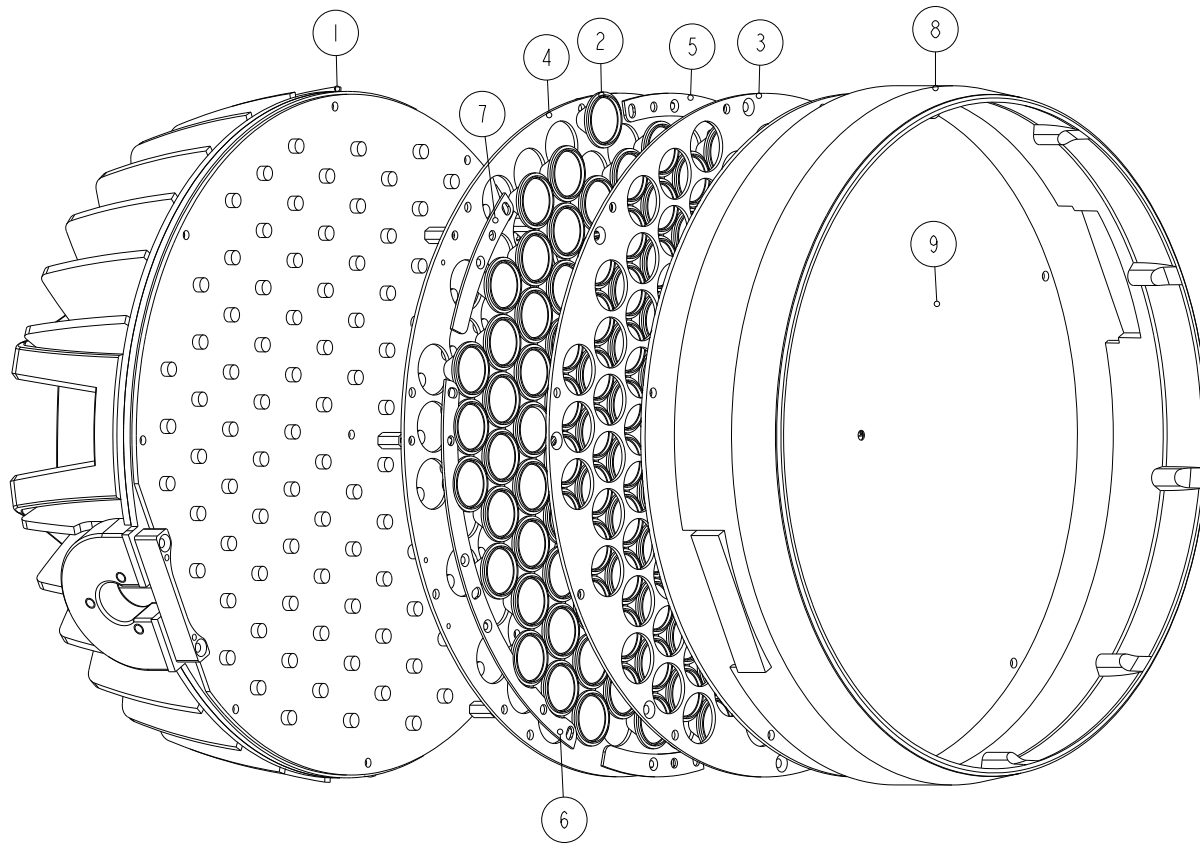
PRODUCT		EYE-108 RGBW			
PIC. NO.		13-0066-03-00-00			
EDIT		FILE NO.	HY-EXP-600A	PAGE NO.	7/15
CHECK		VERSION	NR	DATE	2009.10.07
APPROVE		ECN NO.		DATE	



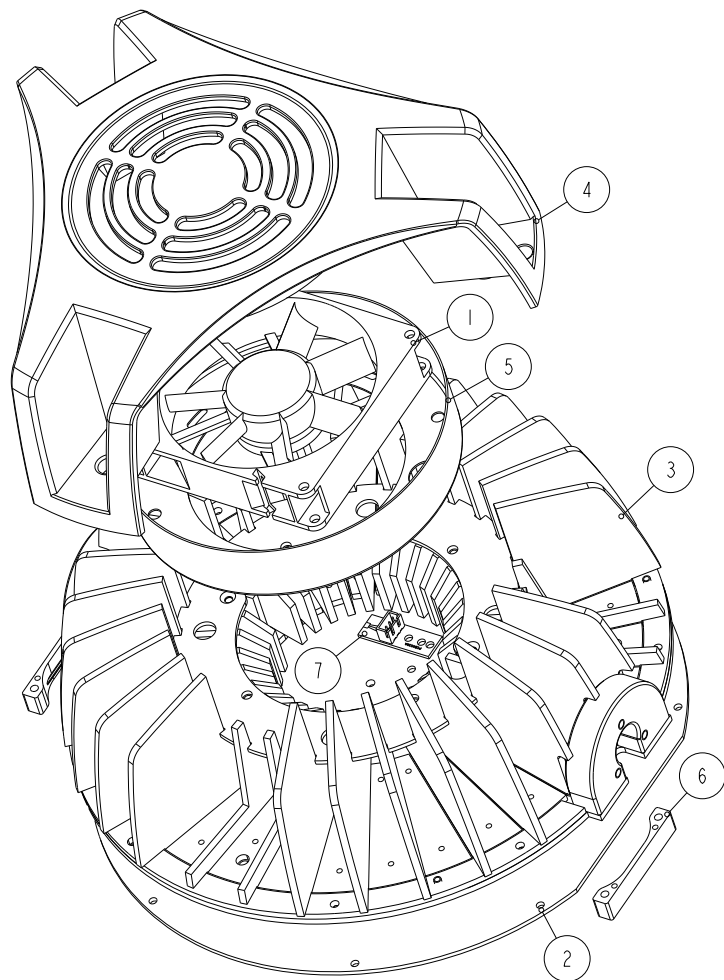
PRODUCT		EYE-108 RGBW			
PIC. NO.		13-0066-03-01-00			
EDIT		FILE NO.	HY-EXP-600A	PAGE NO.	8/15
CHECK		VERSION	NR	DATE	2009.10.07
APPROVE		ECN NO.		DATE	



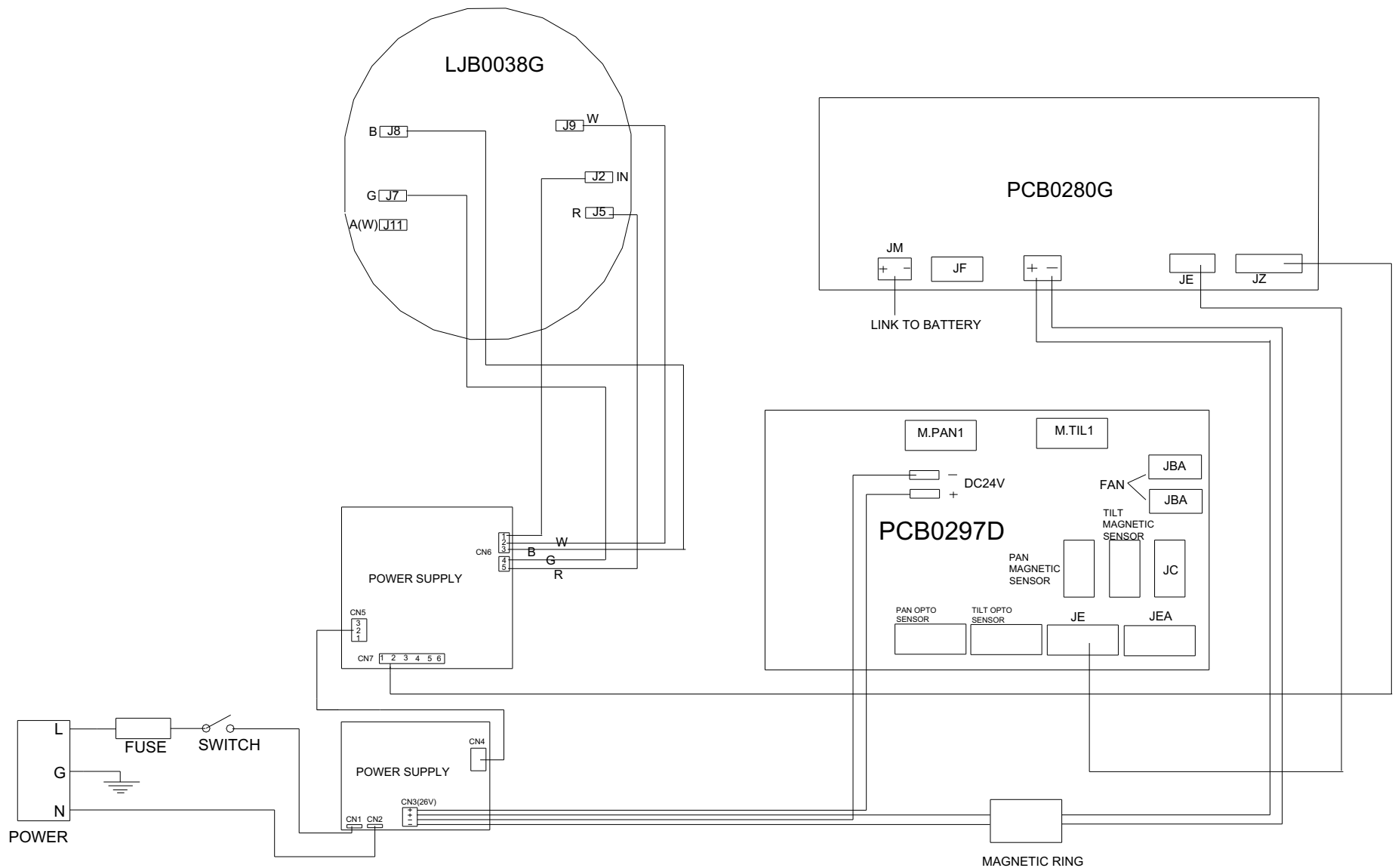
PRODUCT		EYE-108 RGBW			
PIC. NO.		13-0066-03-02-00			
EDIT		FILE NO.	HY-EXP-600A	PAGE NO.	9/15
CHECK		VERSION	NR	DATE	2009.10.07
APPROVE		ECN NO.		DATE	



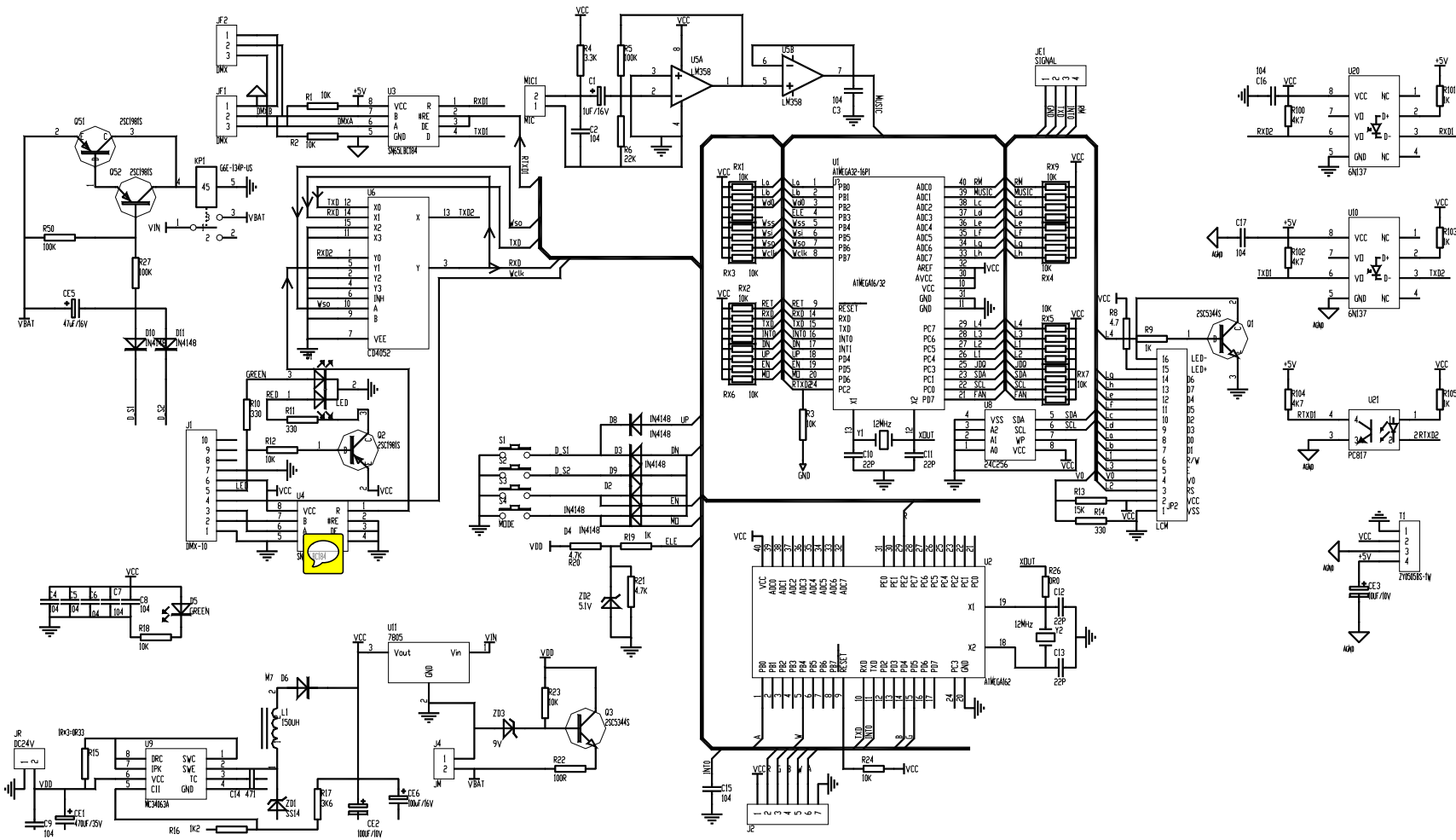
PRODUCT		EYE-108 RGBW			
PIC. NO.		13-0066-04-00-00			
EDIT		FILE NO.	HY-EXP-600A	PAGE NO.	10/15
CHECK		VERSION	NR	DATE	2009.10.07
APPROVE		ECN NO.		DATE	



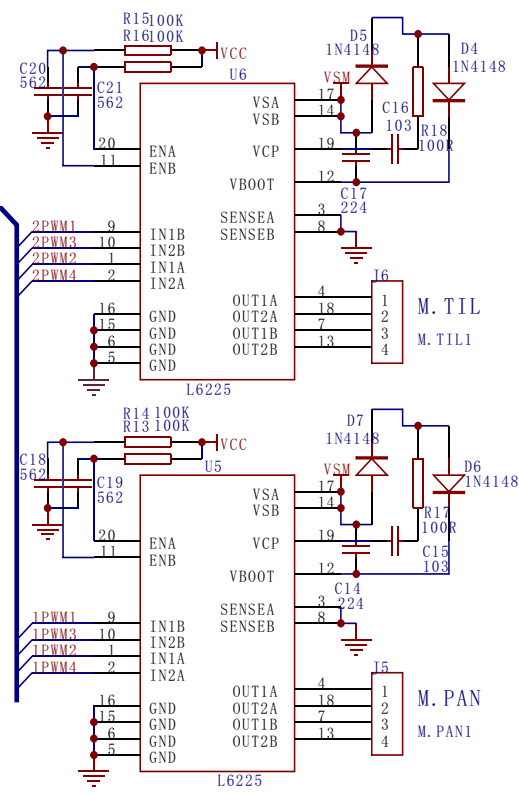
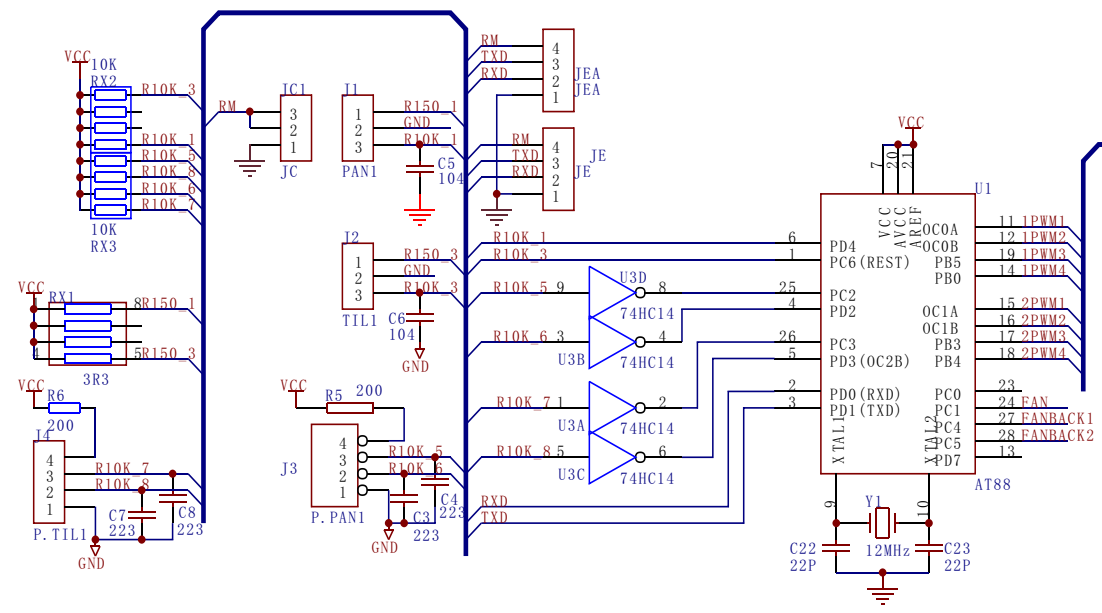
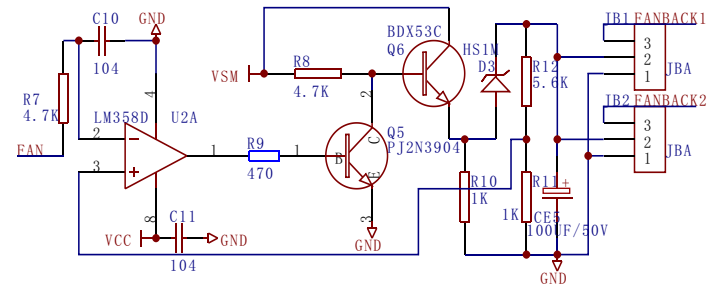
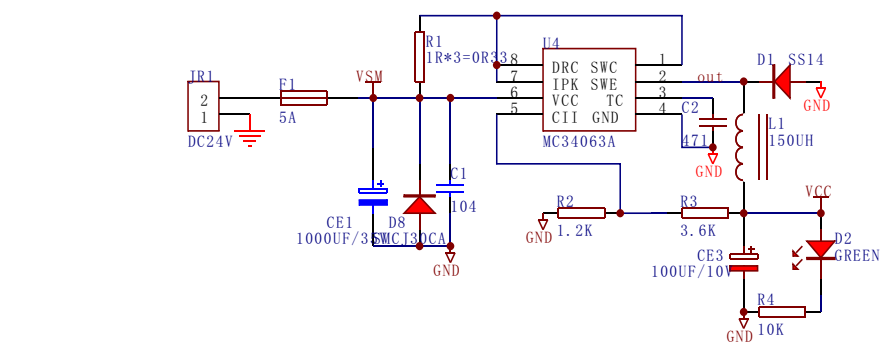
PRODUCT		EYE-108 RGBW			
PIC. NO.		13-0066-04-01-00			
EDIT		FILE NO.	HY-EXP-600A	PAGE NO.	11/15
CHECK		VERSION	NR	DATE	2009.10.07
APPROVE		ECN NO.		DATE	



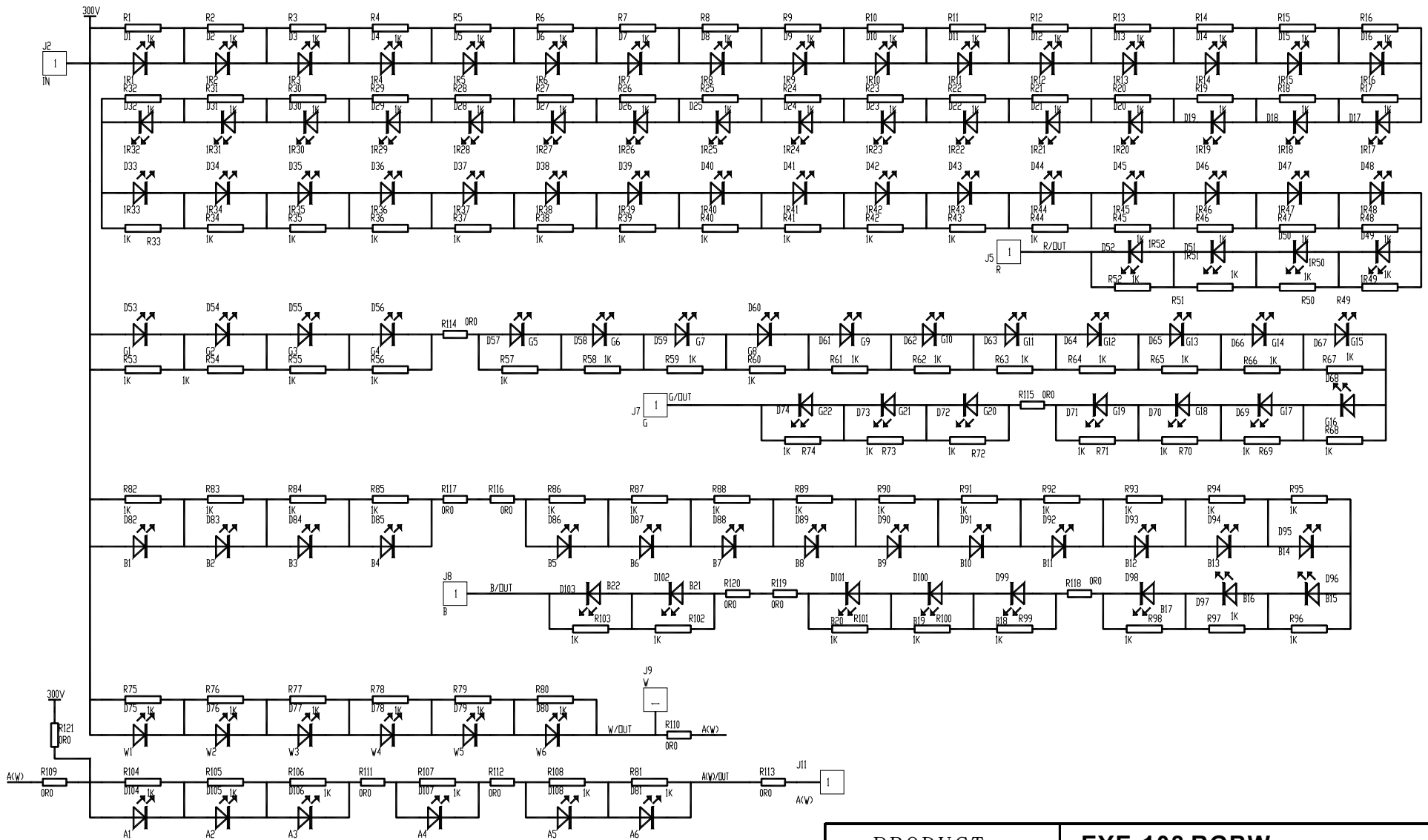
PRODUCT		EYE-108 RGBW			
PIC. NO.		OK108A ELECTRIC			
EDIT		FILE NO.	HY-WIJL-G029	PAGE NO.	12/15
CHECK		VERSION	NR	DATE	2009.10.07
APPROVE		ECN NO.		DATE	



PRODUCT		EYE-108 RGBW			
PIC. NO.		PCB0280G SCHEME			
EDIT		FILE NO.	HY-WIEC-0506	PAGE NO.	13/15
CHECK		VERSION	NR	DATE	2009.10.07
APPROVE		ECN NO.		DATE	



PRODUCT		EYE-108 RGBW			
PIC. NO.		PCB0297D SCHEME			
EDIT		FILE NO.	HY-WIEC-0403	PAGE NO.	14/15
CHECK		VERSION	NR	DATE	2009.10.07
APPROVE		ECN NO.		DATE	



PRODUCT		EYE-108 RGBW			
PIC. NO.		LJB0038G SCHEME			
EDIT		FILE NO.	HY-WIEC-0530	PAGE NO.	15/15
CHECK		VERSION	NR	DATE	2009.10.07
APPROVE		ECN NO.		DATE	